

## Data sheet

Commercial Art.No.: 73.105.4053.0

Multipole adapter HD BAS WR 40 2,5 25

Multipole adapter revos HD 250V/10A 40 pole + ground, female insert, ground right



Commercial Art.No.	73.105.4053.0
EAN	4015573229297
Order Unit	4

Certificates / Approvals



## Technical data

### General

Model	Female insert
Size (in accordance with DIN 43880)	16
Inflammability class of insulation material acc. with UL94	V2
Color	Grey
Pollution degree	3
Operating temperature range min.	-40 °C
Operating temperature range max.	120 °C
Modular version	No

### Connection Data

Connection type	screw connection
Number of poles	40
Plus switching contacts	0
Number of pole for rated current 2	0
Number of pole for rated current 3	0
Total number of poles (without ground contact)	40
With wire protection	yes
Leiterquerschnitt starr (ein-/mehrdrahtig) Min.	0.5 mm <sup>2</sup>
Leiterquerschnitt starr (ein-/mehrdrahtig) Max.	2.5 mm <sup>2</sup>
Protective contact	yes

### Technical Data UL/CSA

Rated voltage according to UL/CSA	600 V
Rated current according CSA	10 A
Min. conductor cross section flexible wire	0.5 mm <sup>2</sup>
Max. conductor cross section flexible wire	2.5 mm <sup>2</sup>
Conductor cross section flexible AWG wire	22-14 AWG

### Model

With housing	No
Position of protective conductor	Right

### Contacts

Contact material	Copper alloy
Surface	Tin-plated
Wire strip length	12 mm
Contact resistance	≤ 6 mOhm

**Screws head design/recomm. Torque**

Mounting screws	H1/0.5-0.7 Nm
Clamping screws	M2.5/0.4-0.6 Nm Slot
Ground conductor screws	H1/1.2-1.6 Nm

**Technical Data DIN EN 61984**

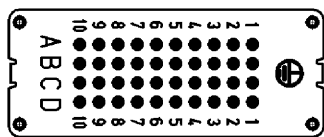
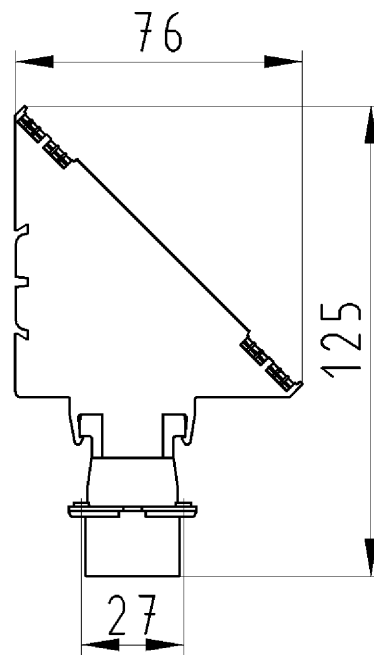
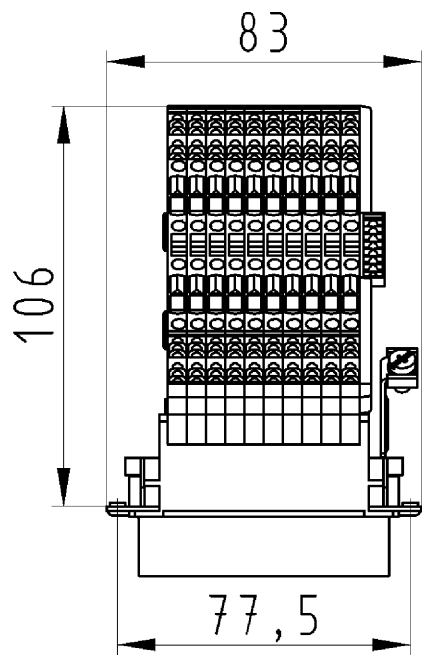
Nominal voltage	250 V
Rated voltage face/ground	250 V
Nominal current	10 A
Rated impulse voltage	4 kV

**Classification**

ECLASS 11	
ECLASS 8.1	27440205
ETIM 7.0	EC000438
ETIM 6.0	EC000438
ETIM 5.0	EC000438
ETIM 4.0	EC000438
ETIM 3.0	EC000438

**Fits with**

Commercial Art.No.:	Article-type description:	Description:
73.327.4028.0	Bottom BAS GUT GY 16H A	Bottom-base revos basic made of aluminum, with double locking lever and protective cover for terminal adapters mounted on the rear, open, high version, 16-poles
73.710.4058.0	Male insert HD STC 40 25	revos HD 40 pole + ground, male insert 250V/10A, crimp connection
76.327.4028.0	Bottom BAS GUT GW 16H A	Bottom-base revos basic made of aluminum, with single locking lever and protective cover for terminal adapters mounted on the rear, open, high version, 16-poles
73.326.4028.0	Bottom BAS GUT GX 16H A	Bottom-base revos basic made of aluminum, with double locking lever for terminal adapters mounted on the rear, open, high version, 16-poles



Buchsenadapter  
73.105.4053.0

Zeichnungsnummer  
73.105.4053.010W  
Buchsenadapter

13.11.2007  
Hollet Florian  
M 1:2