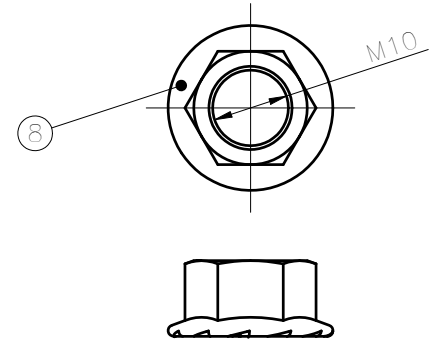
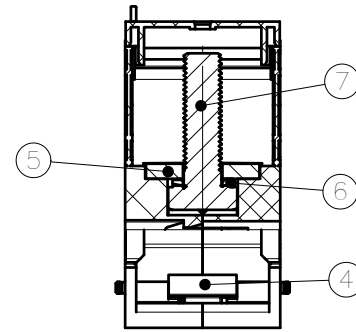
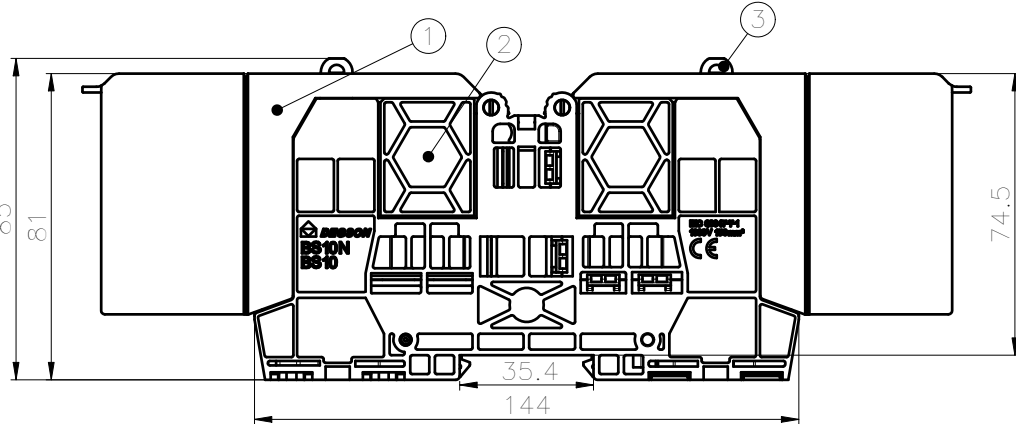
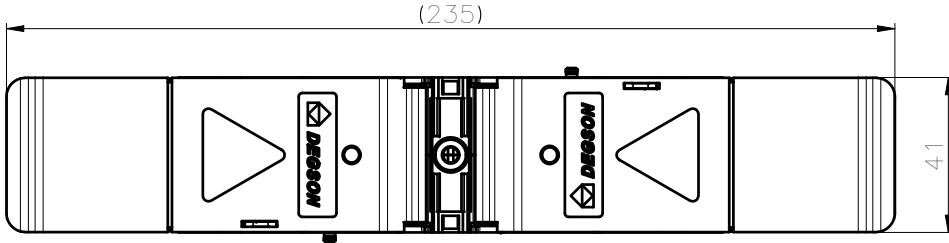
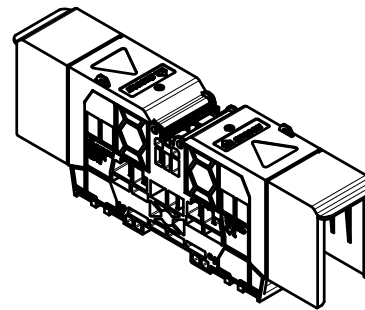
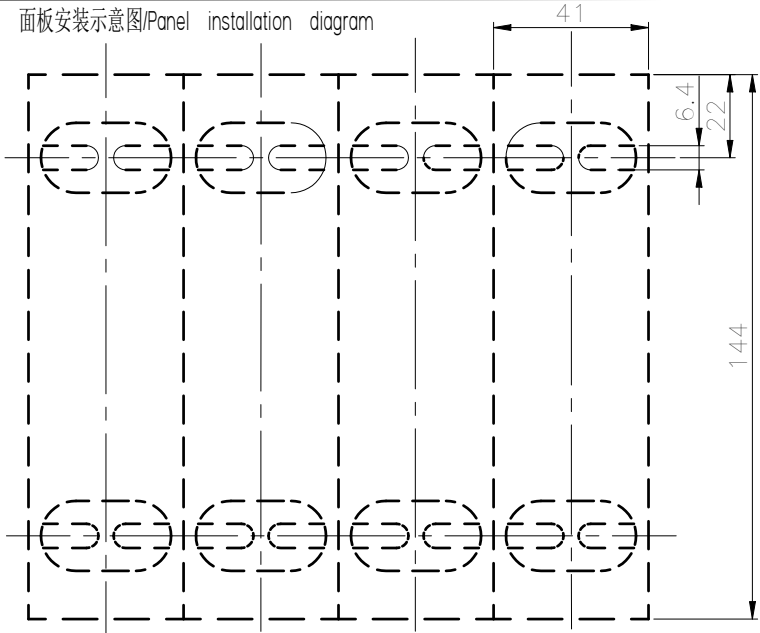


未注公差/General tolerances (mm)												0.1/10	
0	>3	>6	>10	>18	>30	>50	>80	>120	>180	>250	>315		>400
~3	~6	~10	~18	~30	~50	~80	~120	~180	~250	~315	~400	~500	>500
±0.12	±0.18	±0.22	±0.26	±0.31	±0.37	±0.57	±0.80	±0.93	±1.05	±1.15	±1.60	±2.20	±2.50



ITEM	NAME OF PART	MATERIAL	NOTES
8	Nut	Steel	M10/Zn Plated
7	Bolt	Steel	M10/Zn Plated
6	Lock Washer	Steel	M10/Zn Plated
5	Current carrier	Copper	Sn Plated
4	Mounting Bar	PA66	UL94V-0
3	Fixings	PA66	UL94V-0
2	Housing2	PA66	UL94V-0
1	Housing1	PA66	UL94V-0

面板安装示意图/Panel installation diagram



UL 标准/UL Standard:	B	C	D
额定电压/电流/Rated Voltage(V)/Current(A)	600/310	/	/
IEC 标准/IEC Standard:			
过压类别/Overvoltage Category/污染等级/Pollution Degree	III/3	III/2	II/2
额定电压/电流/Rated Voltage(V)/Current(A)	1000/309	/	/
额定脉冲电压(KV)/Rate Impulse Voltage(KV)	8	/	/
螺栓扭矩/Torque Tightening(N·m/Lb.in)	M10, 10-20/113-226		
固定螺钉规格/Fixing Screw Specifications	M6		
线径范围(硬线和软线)/Wire Range(rigid and flexible)(AWG/mm²)	10-350 / 6-150		
间距/Pitch(mm)/线数范围/Poles	41/N=01P		
剥线长度/Stripping length(mm)	Depends on Cold pressing		
使用温度范围/Operating temperature(°C)	-40~+105		
符合RoHS环保要求/Conform to RoHS	Yes		



APPD: Li GL	2022-07-18
CHKD: Ma EK	2022-07-18
DRFT: Zhao QX	2022-07-18

MATERIAL:	SURFACE/COLOR:
MAT NO./REV: 1107000003-1 /	MAT STATUS: 批量
NAME	
BS10-GY	

REV	ECN	DESCRIPTION	DRFT	DATE	SCALE	DRAWING STATUS	SCALE	SHEET
00		/	Zhao QX	2022-07-18	A4	200098712	CUSTOMER DRAWING	已发布
							2:1	1/1

Transfer or duplication of this document as well as the utilization or communication of its contents are prohibited unless authorized in writing by DEGSON. All rights reserved for patent. 除专利等明确标注外，其他内容均受版权保护。未经授权，不得复制或传播。 除专利等明确标注外，其他内容均受版权保护。 除专利等明确标注外，其他内容均受版权保护。