

Data sheet

Commercial Art.No.: Z7.415.0910.0

Housing D-Sub IT GUBL 4 0,5 4 AU

2x15 pole D-Sub connector, size 6, female



| | |
|--------------------|---------------|
| Commercial Art.No. | Z7.415.0910.0 |
| EAN | 4015573160033 |
| Order Unit | 10 |

Technical data

Classification

| | |
|------------|----------|
| ECLASS 11 | |
| ECLASS 8.1 | 27440202 |
| ETIM 7.0 | EC000437 |
| ETIM 6.0 | EC000437 |
| ETIM 5.0 | EC000437 |

General

| | |
|----------------------------------|----------|
| Housing material | aluminum |
| Surface | Gilt |
| Degree of protection (IP) | IP54 |
| UV resistant | yes |
| Operating temperature range min. | -40 °C |
| Operating temperature range max. | 100 °C |

Connection Data

| | |
|--|----------------------|
| Connection type | Soldering connection |
| Number of poles | 15 |
| With wire protection | No |
| Min. conductor diameter rigid (solid/stranded) | 0.2 mm ² |
| Max. conductor diameter rigid (solid/stranded) | 0.5 mm ² |

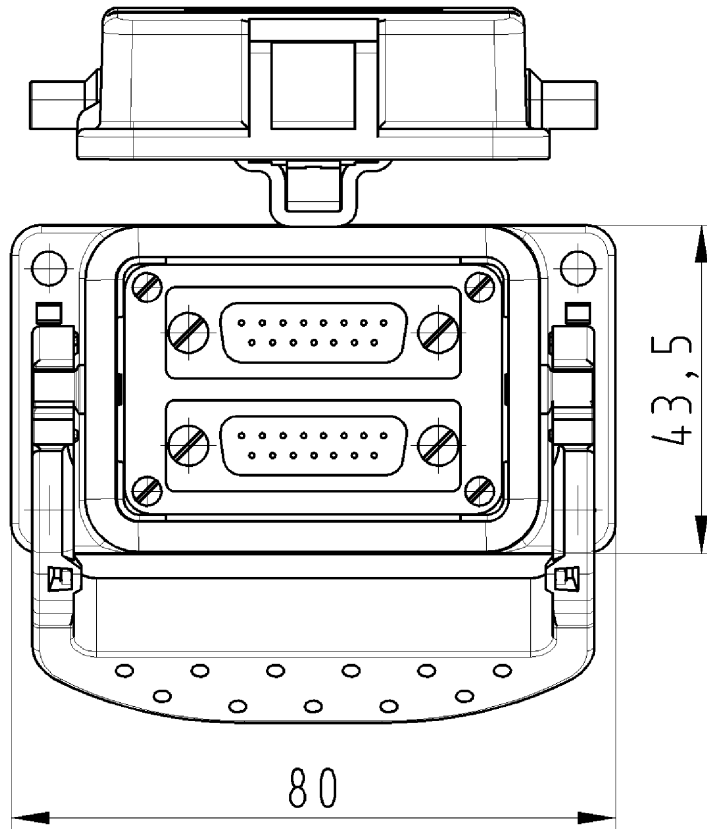
Model

| | |
|------------------------|----------------------|
| Locking mechanism | Single locking lever |
| Cable entry | None |
| With cable screw gland | No |
| Thread size PG | |
| Hinged lid | yes |
| Length | 80 mm |
| Width | 43 mm |
| Height | 28 mm |

Product compliance

| | |
|------------------------|--------------------|
| ROHS conformity status | Compliant/Exempted |
| ROHS exceptions | III-6(a); III-6(c) |

| | |
|------------------------------|-----------------|
| REACH-SVHC conformity status | Duty-To-Declare |
| REACH-SVHC substances | Lead |
| REACH-SVHC CAS numbers | 7439-92-1 |



Zeichnungsnummer
Z7.415.0910.010W

Steckverbindung
D-Sub GUT 6
Z7.415.0910.0

16.11.2007
Roppelt Dominik
M 1:1