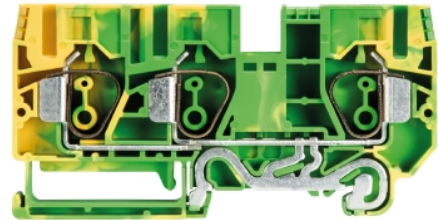


## Data sheet

Commercial Art.No.: 56.710.9355.0

Earth terminal WKFN 10 D1/2/SL/35

Ground terminal with tension spring connection for mounting on TS 35, nominal cross section: 10 mm<sup>2</sup>, width: 10 mm, color: Green-yellow



Commercial Art.No.	56.710.9355.0
EAN	4015573906495
Order Unit	50

Certificates / Approvals



## Technical data

### General

Nominal cross section	10 mm <sup>2</sup>
Color	Green/yellow
Number of levels	1
Number of clamp positions per level	3
Width/grid dimension	10 mm
Insulating housing	PA666
Inflammability class of insulation material acc. with UL94	V0
Explosion-tested version "Ex e"	yes
Mounting method	DIN rail (top hat rail) 35/7.5 mm
Terminal blocks for electrical installations	yes

### Technical data

Rated impulse voltage	8 kV
Pollution degree	3
Closing plate required	yes
Type of insulation material	Thermoplastic
Length	98 mm

### Connection Data

Connection type 1	spring clamp connection
Connection type 2	spring clamp connection
Minimum cross section solid	1.5 mm <sup>2</sup>
Maximum cross section solid	10 mm <sup>2</sup>
Minimum cross section fine stranded	0.2 mm <sup>2</sup>
Maximum cross section fine stranded	10 mm <sup>2</sup>
Minimum cross section stranded	16 mm <sup>2</sup>
Maximum cross section stranded	16 mm <sup>2</sup>
Wire strip length	15 mm

**Technical Data UL/CSA**

Cross section UL	16-6 AWG
Cross section CSA	16-6 AWG

**Classification**

ECLASS 11	
ECLASS 8.1	27141141
ETIM 7.0	EC000901
ETIM 6.0	EC000901
ETIM 5.0	EC000901
ETIM 4.0	EC000901
ETIM 3.0	EC000901

**Product compliance**

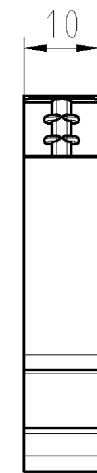
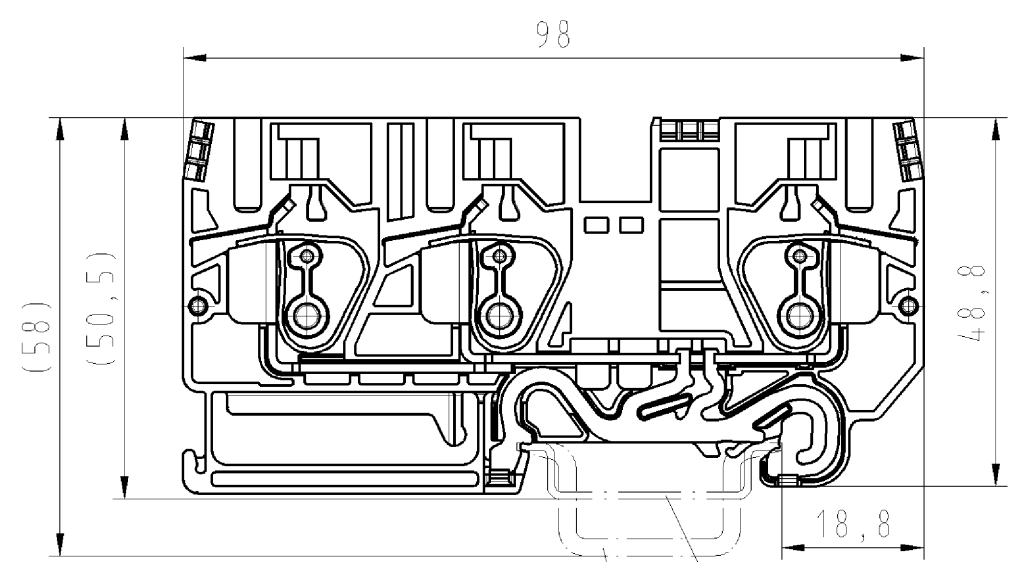
ROHS conformity status	Compliant
REACH-SVHC conformity status	Compliant

**Accessories**

Commercial Art.No.:	Article-type description:	Description:
Z7.283.8227.0	Jumper bar IVBWKF 10- 2	Cross connector, insulated for DIN rail terminal blocks type WKF..., 2 - pole
98.300.0000.0	Mounting rail TS 35x7,5 UNPERF - l:2000mm	Mounting rail TS 35, unslotted, size 7,5 mm, length 2 m, material steel. galv. zinc-plated and dichromated
98.300.1000.0	Mounting rail TS 35x7,5 PERF 15mm - l:2000mm	Mounting rail TS 35, slotted, size 7,5 mm, length 2 m, material steel. galv. zinc-plated and dichromated
98.300.1900.0	Mounting rail TS 35x7,5 PERF 25mm - l:2000mm	Mounting rail TS 35, slotted, size 7,5 mm, length 2 m, material steel. galv. zinc-plated and dichromated
98.360.0000.0	Mounting rail TS 35x15-2,3 UNPERF - l:2000mm	Mounting rail TS 35, unslotted, size 15 mm, length 2 m, material steel. galv. zinc-plated and dichromated
98.360.0004.0	Mounting rail TS 35x15-2,3 UNPERF FZN - l:2000mm	Mounting rail TS 35, unslotted, size 15 mm, length 2 m, material steel, hot galvanized
98.370.0000.0	Mounting rail TS 35x15 UNPERF - l:2000mm	Mounting rail TS 35, unslotted, size 15 mm, length 2 m, material steel. galv. zinc-plated and dichromated
98.370.1000.0	Mounting rail TS 35x15 PERF 15mm - l:2000mm	Mounting rail TS 35, slotted, size 15 mm, length 2 m, material steel. galv. zinc-plated and dichromated
98.380.0000.0	Mounting rail TS 35x15-2,3 UNPERF CU - l:2000mm	Mounting rail TS 35, unslotted, size 15 mm, length 2 m, material E copper
07.313.1055.0	End plate APFN 10 D1/2/35	End plate for DIN rail terminal blocks type WKFN 10 D1/2..., color: grey
07.313.1055.6	End plate APFN 10 D1/2/35 BLAU	End plate for DIN rail terminal blocks type WKFN 10 D1/2..., color: blue
07.313.1055.7	End plate APFN 10 D1/2/35 GRUEN	End plate for DIN rail terminal blocks type WKFN 10 D1/2..., color: green
07.313.1155.0	Partition TWFN 10 D1/2/35	Partition for DIN rail terminal blocks type WKFN 10 D1/2..., color: grey
98.300.1800.0	Mounting rail TS 35x7,5 PERF 18mm - l:2000mm	Mounting rail TS 35, slotted, size 7,5 mm, length 2 m, material steel. galv. zinc-plated and dichromated
04.242.5053.0	Marking tag strips 9705 A / 5 / 10	Marking tag strips for DIN rail terminal blocks type 9700 A / 5..., 10 tags per strip, color: blue, unmarked, markable with Wieplot plotter-system

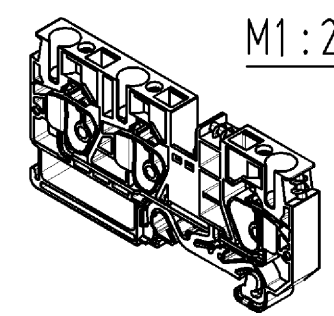
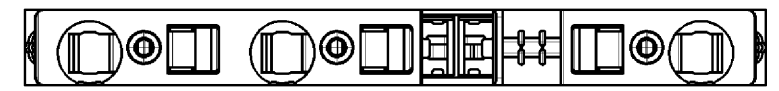
These dimensions will be especially checked at delivery  
Only inspection dimensions  
With /E marked dimensions are only valid for internal use

Diese Maße werden bei Abnahme besonders geprüft  
Ausschließlich Prüfmaße  
Mit /E gekennzeichnete Maße sind nur für interne Zwecke gültig



Hutschiene EN 60715-35x7,5  
mounting rail EN 60715-35x7,5

Hutschiene EN 60715-35x15  
mounting rail EN 60715-35x15



T-Nr. part-no.	Farbe colour	Typ type
56.710.9355.0	grün/gelb green/yellow	WKFN 10 D1/2/SL/35

Weitere Daten siehe Katalog  
further data see catalog

Tolerierung nach DIN 7167/Tolerance system acc. to DIN 7167. (This DIN-standard describes the envelope principle. According to the envelope principle the deviations of form and parallelism are limited by the size tolerances).				ja/yes <input checked="" type="checkbox"/> Stoffverbots- und Deklarationsliste nach UU-TQM-05/03 ist einzuhalten. Conformity with Wieland document UU-TQM-05/03 (list of prohibited / declarable hazardous substances) to be declared!			
Freitoleranz nach General tolerance		CAD - Zeichnung, keine manuellen Änderungen CAD - drawing, no manual modifications allowed		1. Verwendung: - First Use:		Blatt: 1 von 1 Sheet: of 1	
/		Werkstoff/Material		2007 Tag/Date Name		Zeichnung Nr./Drawing No.	
/		Maßstab/Scale		gezeichnet drawn 26.06. Bauer F.		56.710.9355.0 01K	
/		1:1		geprüft checked - -		Index	
/		Vol. mm <sup>3</sup> Öl./Surf. mm <sup>2</sup>		Nicht gepr. Stand. check - -		Maße in mm/Dimensions are in mm	
/		Ersatz für/Replacement for: -		Type		Benennung/Title	
/		wieland		DUO_SCHUTZLEITERKLEMME		fasis pro Federkraftanschluß 10mm <sup>2</sup>	
Index Datum / Blatt Date / Sheet		Elektrische Verbindungen		earth terminal with spring clamp connection			
Änderung/Revision							

Weitergabe sowie Vervielfältigung dieses Dokuments, Verwertung und Mitteilung seines Inhalts sind verboten, soweit nicht ausdrücklich gestattet.  
The reproduction, distribution and utilization of this document as well as the communication of its contents to others without express authorization is prohibited.

567109355001K\_4\_CADW1032\_Bauer 2007-06-27T08:14:20 1:000 QU-PEM-08/91