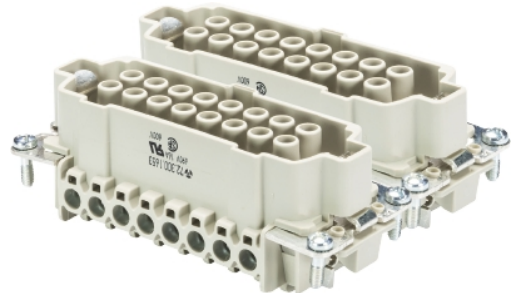


## Data sheet

Commercial Art.No.: 72.300.3253.0

Female insert BAS BUS 32 2,5 69

Female insert revos basic, 32-poles, rated current: 16A, rated voltage:690V, with tinned contacts



Commercial Art.No.	72.300.3253.0
EAN	4015573365414
Order Unit	1

Certificates / Approvals



## Technical data

### General

Model	Female insert
Inflammability class of insulation material acc. with UL94	V2
Color	Grey
Mating cycles	200
Pollution degree	3
Modular version	No
Operating temperature range min.	-40 °C
Operating temperature range max.	120 °C

### Connection Data

Connection type	screw connection
Number of poles	28
Plus switching contacts	4
Number of pole for rated current 2	0
Number of pole for rated current 3	0
Total number of poles (without ground contact)	32
With wire protection	yes
Min. conductor diameter rigid (solid/stranded)	0.5 mm <sup>2</sup>
Max. conductor diameter rigid (solid/stranded)	2.5 mm <sup>2</sup>
Protective contact	yes

### Technical Data UL/CSA

Rated voltage according to UL/CSA	600 V
Rated current according UL	5 A
Rated current according CSA	16 A
Min. conductor cross section flexible wire	0.5 mm <sup>2</sup>
Max. conductor cross section flexible wire	2.5 mm <sup>2</sup>
Conductor cross section flexible AWG wire	22-12 AWG

**Model**

With housing	No
--------------	----

**Contacts**

Contact material	Copper alloy
Surface	Tin-plated
Contact resistance	≤ 1.5 mOhm
Wire strip length	7 mm

**Screws head design/recomm. Torque**

Mounting screws	H1/0.5-0.7 Nm
Clamping screws	H1/0.5-0.7 Nm
Ground conductor screws	H2/1.2-1.6 Nm

**Technical Data DIN EN 61984**

Nominal voltage	690 V
Rated voltage face/ground	690 V
Nominal current	16 A
Rated impulse voltage	8 kV

**Classification**

ECLASS 11	
ECLASS 8.1	27440205
ETIM 7.0	EC000438
ETIM 6.0	EC000438
ETIM 5.0	EC000438
ETIM 4.0	EC000438

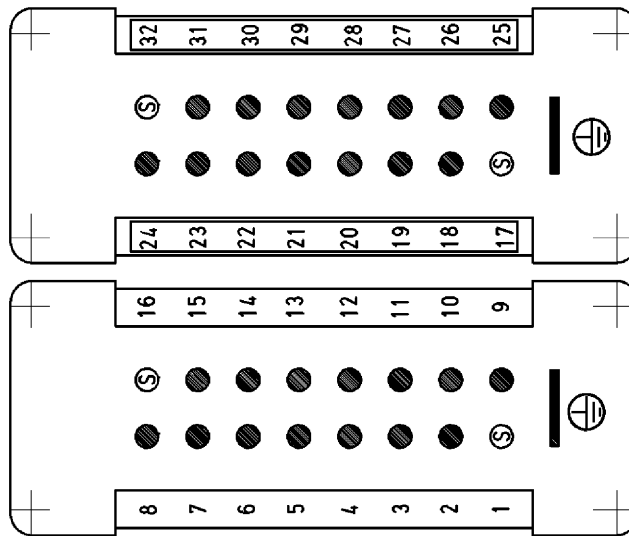
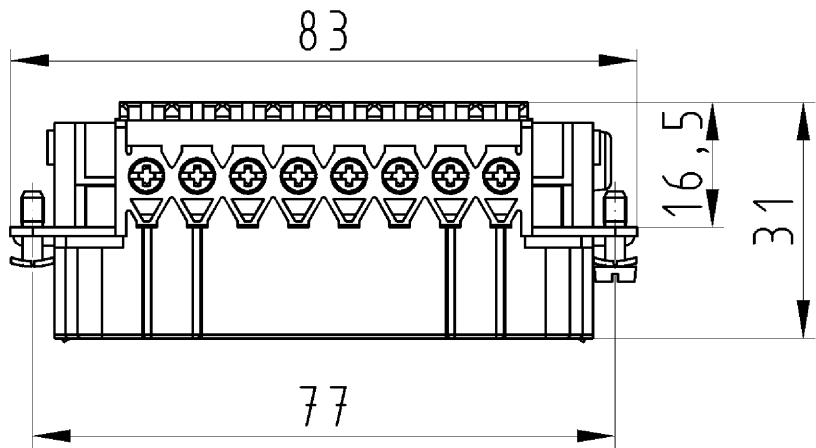
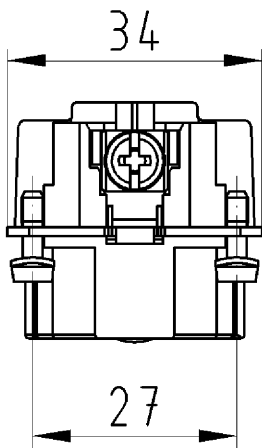
**Product compliance**

ROHS conformity status	Compliant/Exempted
ROHS exceptions	III-6(c)
REACH-SVHC conformity status	Duty-To-Declare
REACH-SVHC substances	Lead
REACH-SVHC CAS numbers	7439-92-1

**Fits with**

Commercial Art.No.:	Article-type description:	Description:
72.310.3253.0	Male insert BAS STS 32 2,5 69	Male insert revos basic, 32-poles, rated current: 16A, rated voltage: 690V, with tin-plated contacts
70.350.3235.0	Hood BAS GOT GA 32 M32 50 A0	Hood revos basic made of aluminum, for double locking lever or. screw cap with cable gland M32 on the right side (IP54), low version, 32-poles
70.350.3235.1	Hood BAS GOT GA 32 M32 50 A1	Hood revos basic made of aluminum, for double locking lever or. screw cap with threaded hole M32 on the right side, low version, 32-poles
70.350.3235.2	Hood BAS GOT GA 32 M32 50 A2	Hood revos basic made of aluminum, for double locking lever or. screw cap with nozzle M32 on the right side, low version, 32-poles

70.350.3235.3	Hood BAS GOT GA 32 M32 A3	Hood revos basic made of aluminum, for double locking lever or. screw cap with trumpet gland M32 on the right side (IP54), low version, 32-poles
70.352.3235.0	Hood BAS GOT GC 32 M32 50 A0	Hood revos basic made of aluminum, for double locking lever or. screw cap with cable gland M32 on the top (IP54), low version, 32-poles
70.352.3235.1	Hood BAS GOT GC 32 M32 50 A1	Hood revos basic made of aluminum, for double locking lever or. screw cap with threaded hole M32 on the top, low version, 32-poles
70.352.3235.2	Hood BAS GOT GC 32 M32 50 A2	Hood revos basic made of aluminum, for double locking lever or. screw cap with nozzle M32 on the top, low version, 32-poles
70.352.3235.3	Hood BAS GOT GC 32 M32 A3	Hood revos basic made of aluminum, for double locking lever or. screw cap with trumpet gland M32 on the top (IP54), low version, 32-poles
70.353.3235.1	Hood BAS GOT GA 32 M40 50 A1	Hood revos basic made of aluminum, for double locking lever or. screw cap with threaded hole M40 on the right side, low version, 32-poles
70.353.3235.2	Hood BAS GOT GA 32 M40 50 A2	Hood revos basic made of aluminum, for double locking lever or. screw cap with nozzle M40 on the right side, low version, 32-poles
70.354.3235.1	Hood BAS GOT GC 32 M40 50 A1	Hood revos basic made of aluminum, for double locking lever or. screw cap with threaded hole M40 on the top, low version, 32-poles
70.354.3235.2	Hood BAS GOT GC 32 M40 50 A2	Hood revos basic made of aluminum, for double locking lever or. screw cap with nozzle M40 on the top, low version, 32-poles
70.320.3228.0	Bottom BAS GUT GA 32 50 A	Bottom-base revos basic made of aluminum, with double locking lever or. screw cap, low version, 32-poles



Weitergabe sowie Vervielfältigung dieses Dokuments, Verwertung und Mitteilung seines Inhalts sind verboten, soweit nicht ausdrücklich gestattet. Die Reproduktion, Distribution und Utilization of this document as well as the communication of its contents to others without express authorization is prohibited.

Buchseneinsatz  
72.300.3253.0

Zeichnungsnummer  
72.300.3253.010W

13.11.2007  
Roppelt Dominik  
M 1:1