

REVISION RECORD			
REV	ECN	DESCRIPTION	DRFT DATE

NOTES1:

- UL1059 Standard
- 1. Rated Voltage/Current : 300V / 30A
- 2. Withstanding Voltage : AC1600V/1Min.
- 3. Torque Value : M3 , 4.43Lb.in
- 4. Wire Range : 26~10AWG

IEC Standard

1. Pollution Degree	2	2	3
Overvoltage Category	II	III	III
Rate Impulse Voltage(KV)	4.0KV	4.0KV	4.0KV
Rate Voltage(V)	630V	320V	320V
Rate Current(A)	41A		

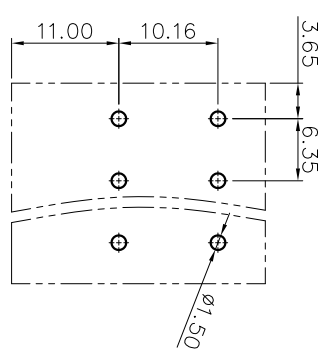
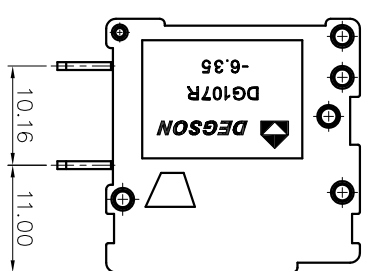
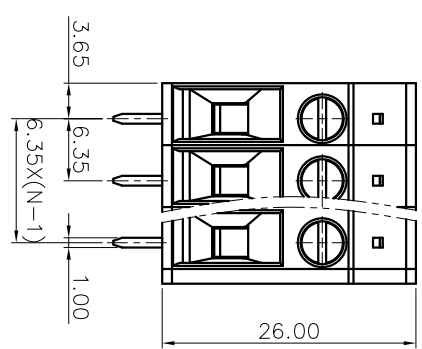
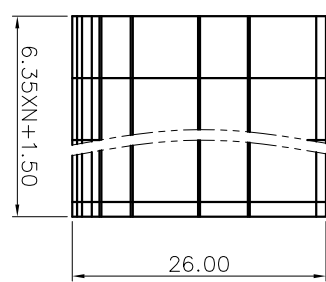
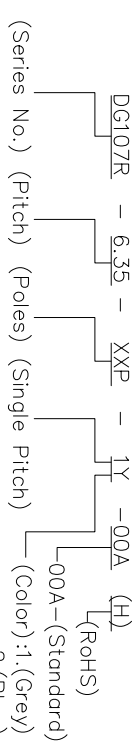
- 2. Torque Value : M3 , 0.5N.m
- 3. Wire Range : 0.5~6.0mm²

NOTES2:

- 1. Dimension shall be interpreted per ASME Y14.5-2009
- 2. Pitch : 6.35mm, Poles : N=01~XXP
- 3. Stripping length : 13~14mm
- 4. Operating temperature: -40°C~+105°C
- 5. Undimensioned Tolerances:

Pitch	Range	In	Nominal	Dimension	Range	Over	Under
mm		mm		mm			
To	6	To	30	Over	50	Over	0.1/10
6	10	To	100	10	100	150	≤
	24	To	60	100	150		
		To	100	100	1100	±1.30	±2°
		To	±0.30	±0.50	±0.70	±1.00	

6. RoHS Compliance



PCB LAYOUT

DETACHED LISTS			
PART NO.:	/	NAME:	DEGSON NINGBO DEGSON ELECTRICAL CO., LTD 宁波高松电子有限公司
APPD:	/	DRFT:	
CHKD:	/	TITLE:	CUSTOMER DRAWING
THIRD ANGLE PROJECTION		DRAWING NO.:	/
		DO NOT SCALE DRAWING	SCALE
			1:1

A 8 7 6 5 4 3 2 1