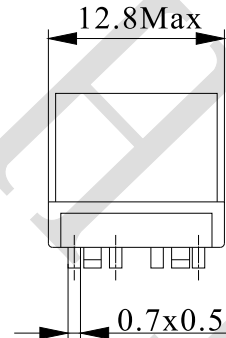
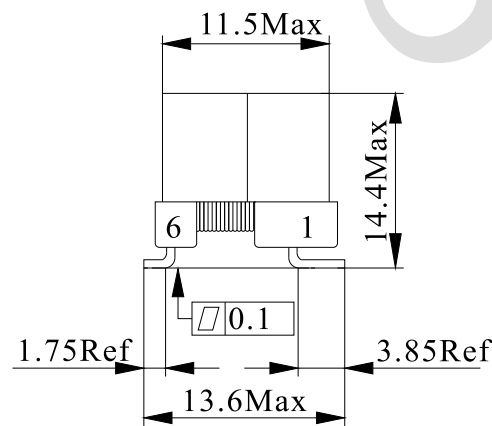
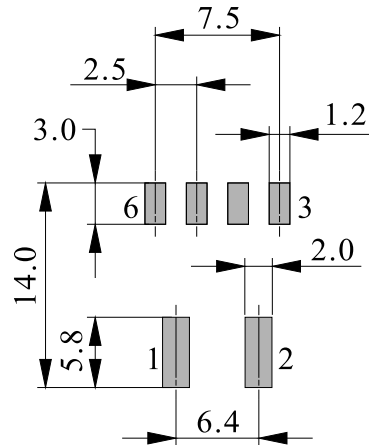
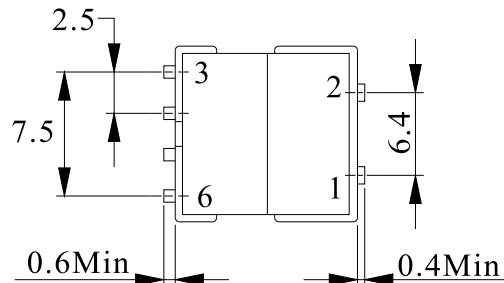


Rev.	Description	Date
A0	New release	2023.08.29

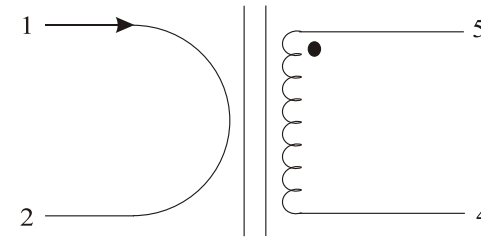
1. PHYSICAL CHARACTERISTICS (mm)



Recommended PCB layout
(Top view)



2. ELECTRONICAL SCHEMATIC



3. ELECTRONICAL SPECIFICATIONS

Inductance(5-4): 6.5mH Min@20KHz,0.1V

DCR(1-2): 0.5mΩ Max

DCR(5-4): 3.1Ω Max

Current ratio: 1:100

Interwinding capacitance: 4pF Ref@10KHz,1V

Voltage-time product : 235V.us

Hi-Pot: 1500Vac,3mA,60S Pin1 to Pin5

2500Vac,3mA,1S Coil to Core

Ambient temperature: -40°C to +150°C

NAME:	Current Transformer		
CUSTOMER P/N:	B78419A2455A003	DATE:	2023-08-29
SHINHOM P/N:	ACSTEP11-100	REV: A0	PAGE
DRAWN BY	CHECKED BY	APPROVE BY	



SHINHOM
SHAANXISHINHOM ENTERPRISE CO LTD

The Document property belong
to SHINHOM & is not allowed to be
duplicated without authorization