

Data sheet

Commercial Art.No.: 96.031.5055.7

Device connector RST20i3S B1 M01 H GN0

RST20i3 device connector M25, 3 pole, female, screw connection, application 250/400V with PE, 20A, coding color leaf green



Commercial Art.No.	96.031.5055.7
EAN	4015573875210
Order Unit	1

Certificates / Approvals



Technical data

General

Rated current	20 A
Rated voltage	250 V / 400 V
Pollution degree	3
Rated impulse voltage	4 kV
Lockable	self-locking (unlocking by tool)
Color of coding/ contact carrier	leaves green
Marking of poles	1, 2, PE

Connection Data

Connection cross section solid mm ² max.	6 mm ²
Connection cross section solid mm ² min.	0.75 mm ²
Connection cross section solid AWG min.	16 AWG
Connection cross section solid AWG max.	10 AWG
Connection cross section fine stranded mm ² max.	6 mm ²
Connection cross section fine stranded mm ² min.	0.75 mm ²
Terminations per pole	1
Wire strip length	8 mm
Connection cross section stranded AWG min.	16 AWG
Connection cross section stranded AWG max.	10 AWG

Model

Model	female
Connection type	screw connection
Connecting thread metric	M25
Angle of plug	straight
Degree of protection (IP)	IP66/68 (3m;2h) /IP69

Thickness of housings (electrical device) 2	0.5 mm
Thickness of housings (electrical device)	8 mm

Material

Housing material	Polyamide
halogen free	yes
Contact material	CuZn
Fire load	0.14 kWh
Insulation components continuous temperature	100 °C
Surface finish	Silver-plated

Dimensions

Length	50.5 mm
Width	35 mm
Height	35 mm

Classification

ECLASS 11	
ECLASS 8.1	27440602
ETIM 7.0	EC002566
ETIM 6.0	EC002566
ETIM 5.0	EC002566
ETIM 4.0	EC002566

Note

Note	RST® terminals with screw clamping allow the connection of conductors without special preparation (without ferrules) according to EN 60999-1.; Positioning realised with flattened thread
------	---

Product compliance

ROHS conformity status	Compliant/Exempted
ROHS exceptions	III-6(c)
REACH-SVHC conformity status	Duty-To-Declare
REACH-SVHC substances	Lead
REACH-SVHC CAS numbers	7439-92-1

Accessories

Commercial Art.No.:	Article-type description:	Description:
05.566.5253.1	Spacer ring RST	RST20/25 distance ring, for device connectors to ensure unlocking with screwdriver, color black
99.414.6205.2	Cover for female connector SW	RST20i3/2 cover piece, for covering unused female connectors, with fastening belt, color schwarz
Z5.564.4553.1	Cover for female connector SW	RST20i3/2 cover piece, for covering unused female connectors, color black

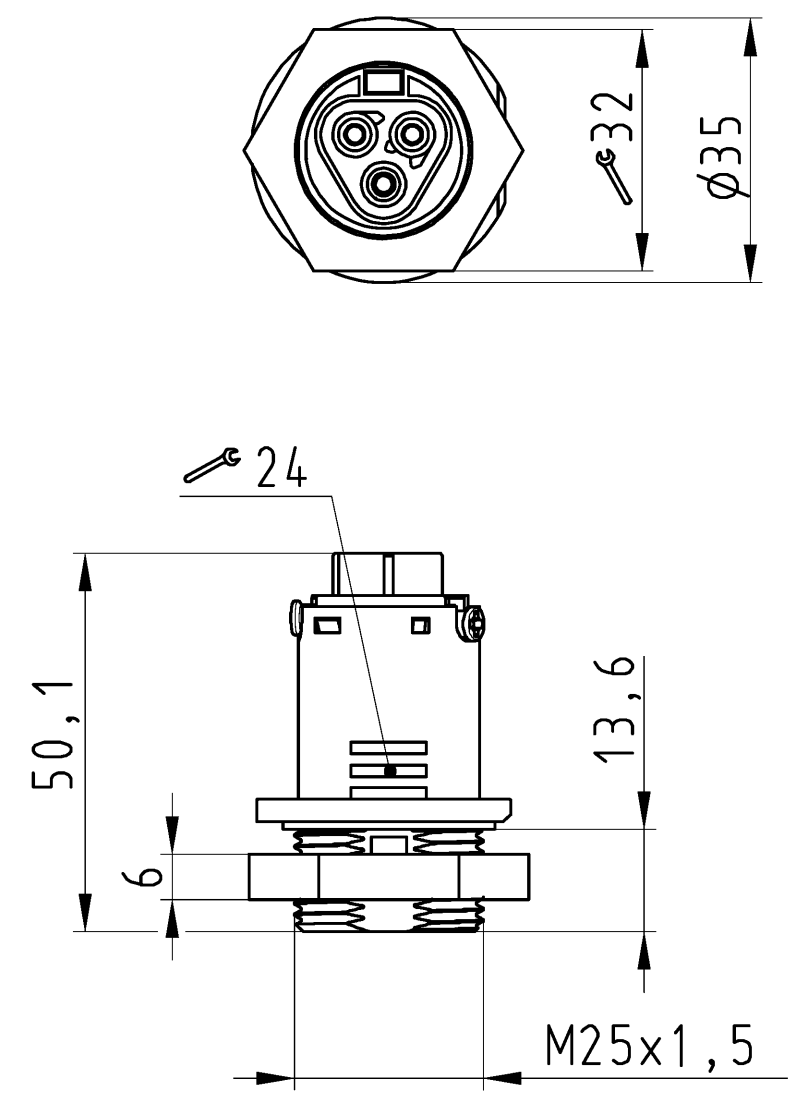
Fits with

Commercial Art.No.:	Article-type description:	Description:

96.032.4055.7	Connector RST20I3S S1 ZR1 VH GN0	RST20i3 connector, 3 pole, male, screw connection, application 250/400V with PE, 20A, for cable diameters 6-10mm, coding color leaf green, color of housing black
96.032.4155.7	Connector RST20I3S S1 ZR2 VH GN0	RST20i3 connector, 3 pole, male, screw connection, application 250/400V with PE, 20A, for cable diameters 10-14mm, coding color leaf green, color of housing black
96.032.4555.7	Connector RST20I3S S1 ZR3 VH GN0	RST20i3 connector, 3 pole, male, screw connection, application 250/400V with PE, 20A, for cable diameters 14-18mm, coding color leaf green, color of housing black
96.034.4055.7	Connector RST20I3S S1 YR1SVH GN0	RST20i3 connector (90° angled), 3 pole, male, screw connection, application 250/400V with PE, 20A, for cable diameters 6-10mm, coding color leaf green, color of housing black
96.034.4155.7	Connector RST20I3S S1 YR2SVH GN0	RST20i3 connector (90° angled), 3 pole, male, screw connection, application 250/400V with PE, 20A, for cable diameters 10-14mm, coding color leaf green, color of housing black

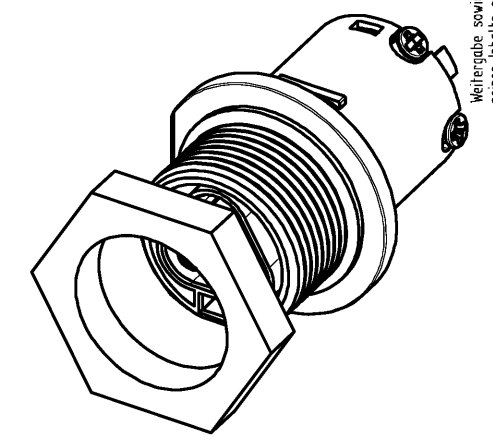
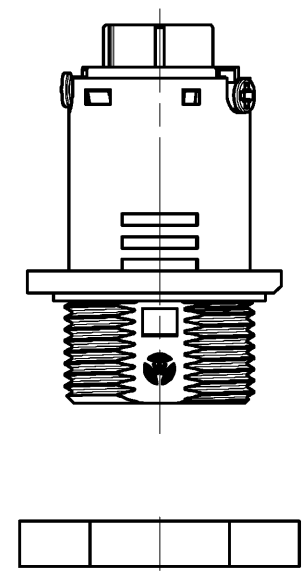
These dimensions will be especially checked at delivery
 Only inspection dimensions
 With /E marked dimensions are only valid for internal use

Diese Maße werden bei Abnahme besonders geprüft
 Ausschließlich Prüfmaße
 Mit /E gekennzeichnete Maße sind nur für interne Zwecke gültig



Öffnungsbild siehe 96.031.1053.1 14K
 opening dimension see 96.031.1053.1 14K

Auslieferungszustand
 delivery status



Verpackungseinheit: je 100 Stück
 packaging unit: per 100

96.031.5055.7	RST2013S B1 M01 H GN02	grün /green
Bestellnummer /Order number	Typ /Type	Farbe /color
Weitere Daten siehe KATALOG oder eKatalog. Additional data see CATALOG or eCatalog.		www.wieland-electric.com eshop.wieland-electric.com

Tolerierung Size ISO 14405(®)/Tolerance system Size ISO 14405(®). (This ISO-standard describes the envelope principle. According to the envelope principle the deviations of form and parallelism are limited by the size tolerances).		nein/no <input checked="" type="checkbox"/> Stoffverbots- und Deklarationsliste nach WN 5020.010 ist einzuhalten. Conformity with Wieland document WN 5020.010 e (list of prohibited / deklarable hazardous substances) to be declared!	
Freitoleranz nach General tolerance		CAD - Zeichnung, keine manuellen Änderungen CAD - drawing, no manual modifications allowed	1.Verwendung: - First Use:
Blatt: 1 von 1 Sheet: of		Zeichnung Nr./Drawing No. 96.031.5055.7 13K	
Maßstab/Scale 1:1		Name HoffmannT	
Vol. mm ³ OfI./Surf. mm ²		Ersatz für/Replacement for: -	
www.wieland-electric.com		Benennung/Title BUCHSENTEIL female connector	
Änderung/Revision		Index Datum / Blatt Date / Sheet	

Weitergabe sowie Vervielfältigung dieses Dokuments, Verwertung und Mitteilung
 seines Inhalts sind verboten, soweit nicht ausdrücklich gestattet.
 The reproduction, distribution and utilization of this document as well as the
 communication of its contents to others without express authorization is prohibited.