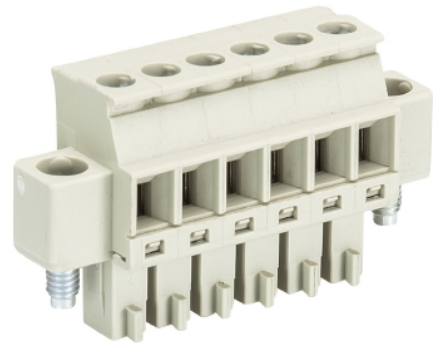


Data sheet

Commercial Art.No.: 25.622.1053.0

PCB connector 8813 B / 10 VR

PCB female connector with screw connection with rising cage clamp system, 10 poles, printed version, max. cross section: 1.5 mm², pitch: 3.81 mm, type of packing: carton, color: grey



Commercial Art.No.	25.622.1053.0
EAN	4015573560338
Order Unit	50

Certificates / Approvals



Technical data

General

Modular spacing	3.81 mm
Connection type	screw connection
Soldering process	None
Packaging	Carton
Number of poles	10
Marking	yes
Fastening	None
Mating direction towards connector	90°

Technical data

Nominal cross section	1.5 mm ²
Rated current	8 A
Overvoltage Category I	690 V
Overvoltage Category II	250 V
Overvoltage Category III	125
Rated impulse voltage	2.5 kV
Wire strip length	6.5 mm

Connection Data

Minimum cross section solid	0.14 mm ²
Maximum cross section solid	1.5 mm ²
Minimum cross section fine stranded	0.14 mm ²
Maximum cross section fine stranded	1.5 mm ²
Wire strip length	6.5 mm

Technical Data UL/CSA

Cross section UL	30-16 AWG
Voltage UL	300 V
Current field wiring	8 A
Current factory wiring	8 A
Cross section CSA	22-14 AWG
Voltage CSA	300 V
Current CSA	5 A

Other

Type of insulation material	Thermoplastic
Color	Grey
Height	19.1 mm
Length	38.89 mm
Depth	10.4 mm
Material attachment screw	Steel
Material contact base	CuSn
Material contact surface	Sn

Classification

ECLASS 11	
ECLASS 8.1	27440402
ETIM 7.0	EC002637
ETIM 6.0	EC002637
ETIM 5.0	EC002637
ETIM 4.0	EC002637

Product compliance

ROHS conformity status	Compliant/Exempted
ROHS exceptions	III-6(c)
REACH-SVHC conformity status	Duty-To-Declare
REACH-SVHC substances	Lead
REACH-SVHC CAS numbers	7439-92-1

Fits with

Commercial Art.No.:	Article-type description:	Description:
25.626.1053.0	PCB pin header 8813 S / 10 G OB	PCB pin header with pin header, connection method depends on used socket part , 10 poles, pitch: 3.81 mm, type of packing: carton, color: grey
25.627.1053.0	PCB pin header 8813 S / 10 W OB	PCB pin header with pin header, connection method depends on used socket part , 10 poles, pitch: 3.81 mm, type of packing: carton, color: grey
27.627.1008.0	PCB pin header 8813 S/ 10 W OB THR	PCB pin header, 10 poles, with solder pin (1.5mm, tin plated), pitch: 3.81 mm, type of packing: carton, color: black, This product can be soldered by reflow and wave soldering,
27.626.1008.0	PCB pin header 8813 S/ 10 G OB THR	PCB pin header, 10 poles, with solder pin (1.5mm, tin plated), pitch: 3.81 mm, type of packing: carton, color: black, This product can be soldered by reflow and wave soldering,

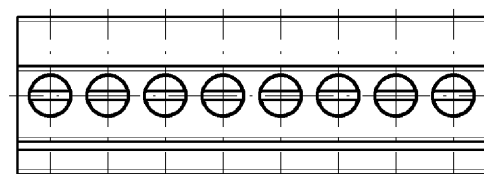
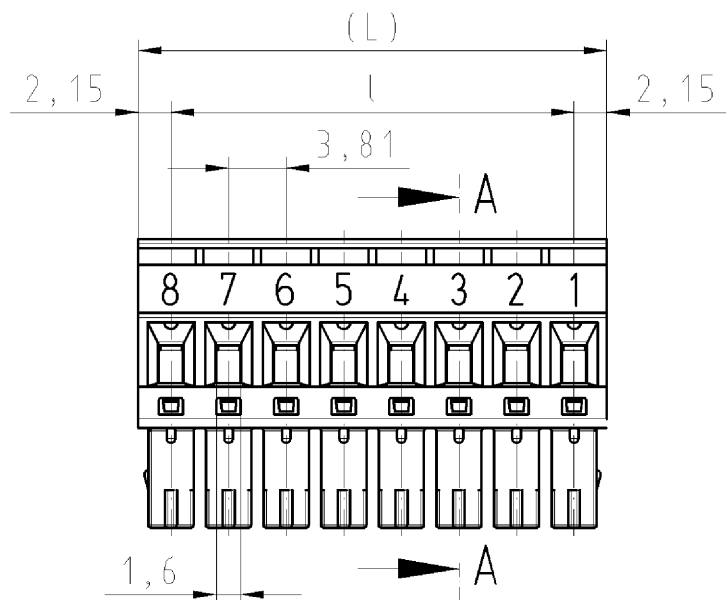
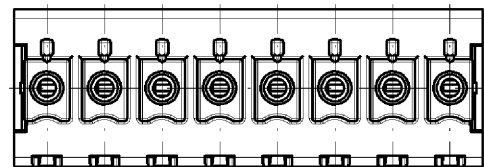
These dimensions will be especially checked at delivery
Only inspection dimensions
With /E marked dimensions are only valid for internal use

Diese Maße werden bei Abnahme besonders geprüft
Ausschließlich Prüfmaße
Mit /E gekennzeichnete Maße sind nur für interne Zwecke gültig

These dimensions will be especially checked at delivery
Only inspection dimensions
With /E marked dimensions are only valid for internal use

These dimensions will be especially checked at delivery
Only inspection dimensions
With /E marked dimensions are only valid for internal use

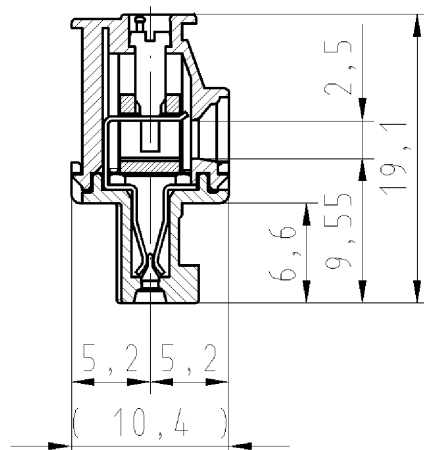
These dimensions will be especially checked at delivery
Only inspection dimensions
With /E marked dimensions are only valid for internal use



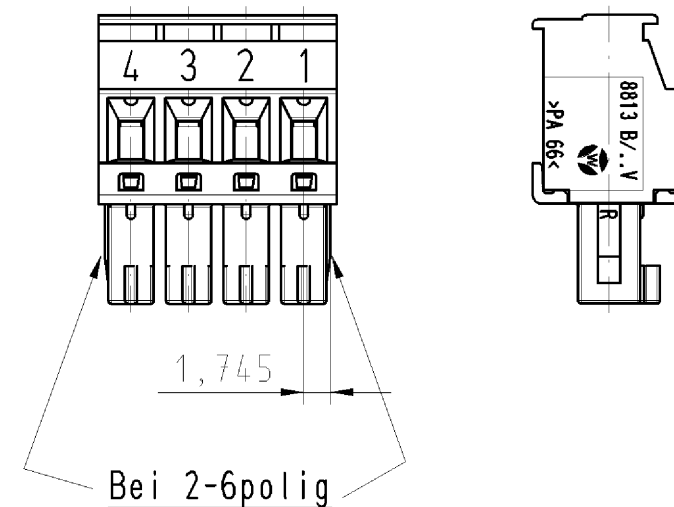
gezeichnet Ausführung: 8-polige
drawn version: 8 poles

Ab 7-polige Ausführung ohne Bremsfläche
from 7-pole version without brake area

A-A



gezeichnet Ausführung: 4-polige
drawn version: 4 poles



Bei 2-6polig
Bremsflächen am ersten und letzten Pol
version 2-6 poles
brake areas on the first and last pole

Teile - Nr. part-no.	Polzahl no. of poles	L	l
25.622.0253.F	2	8,11	3,81
25.622.0353.F	3	11,92	7,62
25.622.0453.F	4	15,73	11,43
25.622.0553.F	5	19,54	15,24
25.622.0653.F	6	23,35	19,05
25.622.0753.F	7	27,16	22,86
25.622.0853.F	8	30,97	26,67
25.622.0953.F	9	34,78	30,48
25.622.1053.F	10	38,59	34,29
25.622.1153.F	11	42,40	38,10
25.622.1253.F	12	46,21	41,91
25.622.1353.F	13	50,02	45,72
25.622.1453.F	14	53,83	49,53
25.622.1553.F	15	57,64	53,34
25.622.1653.F	16	61,45	57,15
25.622.1753.F	17	65,26	60,96
25.622.1853.F	18	69,07	64,77
25.622.1953.F	19	72,88	68,58
25.622.2053.F	20	76,69	72,39

Weitere Daten siehe Katalog
further data see catalog

.F	Farbe colour	Bedruckung printing colour
.0	grau/grey	schwarz/black
.1	schwarz/black	weiss/white
.7	grün/green	schwarz/black

Tolerierung nach DIN 7167/Tolerance system acc. to DIN 7167.
[This DIN-standard describes the envelope principle. According to the envelope principle the deviations of form and parallelism are limited by the size tolerances].

nein/no Stoffverbots- und Deklarationsliste nach UU-TQM-05/03 ist einzuhalten.
Conformity with Wieland document UU-TQM-05/03 (list of prohibited / declarable hazardous substances) to be declared!

Freitoleranz nach General tolerance CAD - Zeichnung, keine manuellen Änderungen CAD - drawing, no manual modifications allowed 1. Verwendung: First Use: Blatt: 1 von 1 Sheet: of 1

Werkstoff/Material	2009 Tag/Date Name	T	Zeichnung Nr./Drawing No. 25.622.0253.0 01K	Index
gezeichnet/drawn 18.08. Dütsch T.	geprüft/checked			
Maßstab/Scale 2:1	Normgepr. Stand. check			

Maße in mm/Dimensions are in mm

Vol. mm³ Ofl./Surf. mm² Ersatz für/Replacement for: -

wieland Elektrische Verbindungen

Type 8813B/ 2-20 VR Benennung/Title PCB CONNECTOR LP_STECKKLEMME mit Steck- u. Schraubanschluß/with plug and screw in connection Rastermaß 3,81mm / pitch 3,81

Weitergabe sowie Vervielfältigung dieses Dokuments, Verwertung und Mitteilung seines Inhalts sind verboten, soweit nicht ausdrücklich gestattet. The reproduction, distribution and utilization of this document as well as the communication of its contents to others without express authorization is prohibited.

256220253001K_4_CAD/2037_Duetsch 2009-08-18T13:10:05 1.000