

Data sheet

Commercial Art.No.: 72.300.0653.0

Female insert BAS BUS 6 2,5 69

Female insert revos basic, 6-poles, rated current: 16A, rated voltage: 690V, with tin-plated contacts



| | |
|--------------------|---------------|
| Commercial Art.No. | 72.300.0653.0 |
| EAN | 4015573227033 |
| Order Unit | 10 |

Certificates / Approvals



Technical data

General

| | |
|--|---------------|
| Model | Female insert |
| Inflammability class of insulation material acc. with UL94 | V0 |
| Color | Grey |
| Mating cycles | 200 |
| Pollution degree | 3 |
| Modular version | No |
| Operating temperature range min. | -40 °C |
| Operating temperature range max. | 120 °C |

Connection Data

| | |
|--|---------------------|
| Connection type | screw connection |
| Number of poles | 4 |
| Plus switching contacts | 2 |
| Number of pole for rated current 2 | 0 |
| Number of pole for rated current 3 | 0 |
| Total number of poles (without ground contact) | 6 |
| With wire protection | yes |
| Min. conductor diameter rigid (solid/stranded) | 0.5 mm ² |
| Max. conductor diameter rigid (solid/stranded) | 2.5 mm ² |
| Protective contact | yes |

Technical Data UL/CSA

| | |
|--|---------------------|
| Rated voltage according to UL/CSA | 600 V |
| Rated current according UL | 5 A |
| Rated current according CSA | 16 A |
| Min. conductor cross section flexible wire | 0.5 mm ² |

| | |
|--|---------------------|
| Max. conductor cross section flexible wire | 2.5 mm ² |
| Conductor cross section flexible AWG wire | 22-12 AWG |

Model

| | |
|--------------|----|
| With housing | No |
|--------------|----|

Contacts

| | |
|--------------------|--------------|
| Contact material | Copper alloy |
| Surface | Tin-plated |
| Contact resistance | ≤ 1.5 mOhm |
| Wire strip length | 7 mm |

Screws head design/recomm. Torque

| | |
|-------------------------|---------------|
| Mounting screws | H1/0.5-0.7 Nm |
| Clamping screws | H1/0.5-0.7 Nm |
| Ground conductor screws | H2/1.2-1.6 Nm |

Technical Data DIN EN 61984

| | |
|---------------------------|-------|
| Nominal voltage | 690 V |
| Rated voltage face/ground | 690 V |
| Nominal current | 16 A |
| Rated impulse voltage | 8 kV |

Classification

| | |
|------------|----------|
| ECLASS 11 | |
| ECLASS 8.1 | 27440205 |
| ETIM 7.0 | EC000438 |
| ETIM 6.0 | EC000438 |
| ETIM 5.0 | EC000438 |
| ETIM 4.0 | EC000438 |

Product compliance

| | |
|------------------------------|--------------------|
| ROHS conformity status | Compliant/Exempted |
| ROHS exceptions | III-6(c) |
| REACH-SVHC conformity status | Duty-To-Declare |
| REACH-SVHC substances | Lead |
| REACH-SVHC CAS numbers | 7439-92-1 |

Fits with

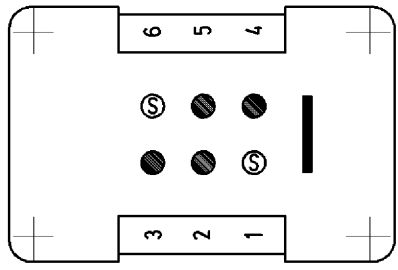
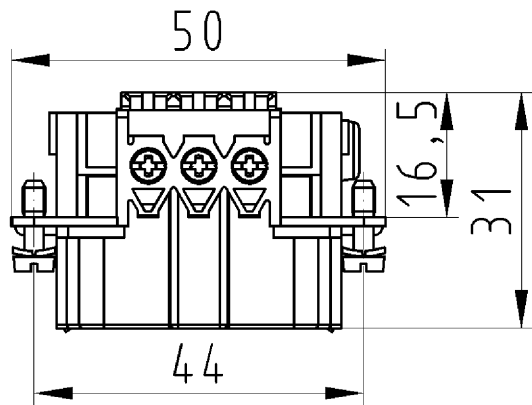
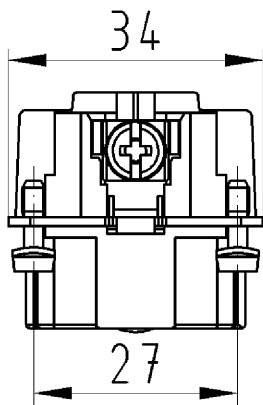
| Commercial Art.No.: | Article-type description: | Description: |
|---------------------|------------------------------|---|
| 72.310.0653.0 | Male insert BAS STS 6 2,5 69 | Male insert revos basic, 6-poles, rated current: 16A, rated voltage: 690V, with tin-plated contacts |
| 72.710.0658.0 | Male insert BAS STC 6 69 | Male insert revos basic, 6-poles, rated current: 16A, rated voltage: 690V, with tin-plated contacts |
| 70.350.0635.0 | Hood BAS GOT GG 6 M20 A0 | Hood revos basic made of aluminum, for single locking lever with cable gland M20 on the right side (IP54), low version, 6-poles |
| 70.350.0635.1 | Hood BAS GOT GG 6 M20 A1 | Hood revos basic made of aluminum, for single locking lever with threaded hole M20 on the right side, low version, 6-poles |

| | | |
|---------------|-----------------------------|--|
| 70.350.0635.2 | Hood BAS GOT GG 6 M20 A2 | Hood revos basic made of aluminum, for single locking lever with nozzleM20 on the right side, low version, 6-poles |
| 70.350.0635.3 | Hood BAS GOT GG 6 M20 A3 | Hood revos basic made of aluminum, for single locking lever with trumpet gland M20 on the right side (IP54), low version, 6-poles |
| 70.352.0635.0 | Hood BAS GOT GI 6 M20 A0 | Hood revos basic made of aluminum, for single locking lever with cable gland M20 on the top (IP54), low version, 6-poles |
| 70.352.0635.1 | Hood BAS GOT GI 6 M20 A1 | Hood revos basic made of aluminum, for single locking lever with threaded hole M20 on the top, low version, 6-poles |
| 70.352.0635.2 | Hood BAS GOT GI 6 M20 A2 | Hood revos basic made of aluminum, for single locking lever with nozzleM20 on the top, low version, 6-poles |
| 70.352.0635.3 | Hood BAS GOT GI 6 M20 A3 | Hood revos basic made of aluminum, for single locking lever with trumpet gland M20 on the top (IP54), low version, 6-poles |
| 70.353.0635.0 | Hood BAS GOT GG 6 M25 A0 | Hood revos basic made of aluminum, for single locking lever with cable gland M25 on the right side (IP54), low version, 6-poles |
| 70.353.0635.1 | Hood BAS GOT GG 6 M25 A1 | Hood revos basic made of aluminum, for single locking lever with threaded hole M25 on the right side, low version, 6-poles |
| 70.353.0635.2 | Hood BAS GOT GG 6 M25 A2 | Hood revos basic made of aluminum, for single locking lever with nozzleM25 on the right side, low version, 6-poles |
| 70.353.0635.3 | Hood BAS GOT GG 6 M25 A3 | Hood revos basic made of aluminum, for single locking lever with trumpet gland M25 on the right side (IP54), low version, 6-poles |
| 70.354.0635.0 | Hood BAS GOT GI 6 M25 A0 | Hood revos basic made of aluminum, for single locking lever with cable gland M25 on the top (IP54), low version, 6-poles |
| 70.354.0635.1 | Hood BAS GOT GI 6 M25 A1 | Hood revos basic made of aluminum, for single locking lever with threaded hole M25 on the top, low version, 6-poles |
| 70.354.0635.2 | Hood BAS GOT GI 6 M25 A2 | Hood revos basic made of aluminum, for single locking lever with nozzleM25 on the top, low version, 6-poles |
| 70.354.0635.3 | Hood BAS GOT GI 6 M25 A3 | Hood revos basic made of aluminum, for single locking lever with trumpet gland M25 on the top (IP54), low version, 6-poles |
| 70.372.0635.0 | Hood BAS GOT GL 6 M20 50 A0 | Hood revos basic made of aluminum, with single locking lever and cable gland M20 on the top - free cable connection (IP54), low version, 6-poles |
| 70.372.0635.1 | Hood BAS GOT GL 6 M20 50 A1 | Hood revos basic made of aluminum, with single locking lever and threaded hole M20 on the top - free cable connection, low version, 6-poles |
| 70.372.0635.3 | Hood BAS GOT GL 6 M20 A3 | Hood revos basic made of aluminum, with single locking lever and trumpet gland M20 on the top - free cable connection (IP54), low version, 6-poles |
| 70.450.0637.1 | Hood BAS GOM GG 6 M20 B1 | Hood revos basic metal-series without coating, for single locking lever with threaded hole M20 on the right side, low version, 6-poles |
| 70.452.0637.1 | Hood BAS GOM GI 6 M20 B1 | Hood revos basic metal-series without coating, for single locking lever with threaded hole M20 on the top, low version, 6-poles |
| 73.350.0635.0 | Hood BAS GOT GG 6HM25 69 A0 | Hood revos basic made of aluminum, for single locking lever with cable gland M25 on the right side (IP54), high version, 6-poles |
| 73.350.0635.1 | Hood BAS GOT GG 6HM25 69 A1 | Hood revos basic made of aluminum, for single locking lever with threaded hole M25 on the right side, high version, 6-poles |
| 73.351.0635.0 | Hood BAS GOT GH 6HM20 A0 | Hood revos basic made of aluminum, for single locking lever with cable gland M20 on the front (IP54), high version, 6-poles |
| 73.351.0635.1 | Hood BAS GOT GH 6HM20 A1 | Hood revos basic made of aluminum, for single locking lever with threaded hole M20 on the front, high version, 6-poles |
| 73.351.0635.3 | Hood BAS GOT GH 6HM20 A3 | Hood revos basic made of aluminum, for single locking lever with trumpet gland M20 on the front (IP54), high version, 6-poles |
| 73.352.0635.0 | Hood BAS GOT GI 6HM25 69 A0 | Hood revos basic made of aluminum, for single locking lever with cable gland M25 on the top (IP54), high version, 6-poles |
| 73.352.0635.1 | Hood BAS GOT GI 6HM25 69 A1 | Hood revos basic made of aluminum, for single locking lever with threaded hole M25 on the top, high version, 6-poles |

| | | |
|---------------|-------------------------------|---|
| 73.352.0635.2 | Hood BAS GOT GI 6HM25 69 A2 | Hood revos basic made of aluminum, for single locking lever with nozzleM25 on the top, high version, 6-poles |
| 73.352.0635.3 | Hood BAS GOT GI 6HM25 A3 | Hood revos basic made of aluminum, for single locking lever with trumpet gland M25 on the top (IP54), high version, 6-poles |
| 73.353.0635.0 | Hood BAS GOT GG 6HM32 69 A0 | Hood revos basic made of aluminum, for single locking lever with cable gland M32 on the right side (IP54), high version, 6-poles |
| 73.353.0635.1 | Hood BAS GOT GG 6HM32 69 A1 | Hood revos basic made of aluminum, for single locking lever with threaded hole M32 on the right side, high version, 6-poles |
| 73.353.0635.2 | Hood BAS GOT GG 6HM32 69 A2 | Hood revos basic made of aluminum, for single locking lever with nozzleM32 on the right side, high version, 6-poles |
| 73.353.0635.3 | Hood BAS GOT GG 6HM32 A3 | Hood revos basic made of aluminum, for single locking lever with trumpet gland M32 on the right side (IP54), high version, 6-poles |
| 73.354.0635.0 | Hood BAS GOT GI 6HM32 69 A0 | Hood revos basic made of aluminum, for single locking lever with cable gland M32 on the top (IP54), high version, 6-poles |
| 73.354.0635.1 | Hood BAS GOT GI 6HM32 69 A1 | Hood revos basic made of aluminum, for single locking lever with threaded hole M32 on the top, high version, 6-poles |
| 73.354.0635.2 | Hood BAS GOT GI 6HM32 69 A2 | Hood revos basic made of aluminum, for single locking lever with nozzleM32 on the top, high version, 6-poles |
| 73.354.0635.3 | Hood BAS GOT GI 6HM32 A3 | Hood revos basic made of aluminum, for single locking lever with trumpet gland M32 on the top (IP54), high version, 6-poles |
| 70.320.0628.0 | Bottom BAS GUT GK 6 A | Bottom-base revos basic made of aluminum, with single locking lever, open, low version, 6-poles |
| 70.325.0628.0 | Bottom BAS GUT GP 6 A | Bottom-base revos basic made of aluminum, with single locking lever andprotective cover, open, low version, 6-poles |
| 70.330.0635.0 | Bottom BAS GUT GL 6 M20 A0 | Bottom-base revos basic made of aluminum, with single locking lever andcable gland M20 on the right and left side (IP54), low version, 6-polig |
| 70.330.0635.1 | Bottom BAS GUT GL 6 M20 A1 | Bottom-base revos basic made of aluminum, with single locking lever andthreaded hole M20 on the right and left side, low version, 6-polig |
| 70.331.0635.0 | Bottom BAS GUT GM 6 M20 A0 | Bottom-base revos basic made of aluminum, with single locking lever andcable gland M20 on the left side (IP54), low version, 6-polig |
| 70.331.0635.1 | Bottom BAS GUT GM 6 M20 A1 | Bottom-base revos basic made of aluminum, with single locking lever andthreaded hole M20 on the left side, low version, 6-polig |
| 70.332.0635.0 | Bottom BAS GUT GN 6 M20 A0 | Bottom-base revos basic made of aluminum, with single locking lever andcable gland M20 on the right side (IP54), low version, 6-polig |
| 70.332.0635.1 | Bottom BAS GUT GN 6 M20 A1 | Bottom-base revos basic made of aluminum, with single locking lever andthreaded hole M20 on the right side, low version, 6-polig |
| 70.333.0635.0 | Bottom BAS GUT GO 6 M20 A0 | Bottom-base revos basic made of aluminum, with single locking lever andcable gland M20 on the bottom (IP54), low version, 6-polig |
| 70.333.0635.1 | Bottom BAS GUT GO 6 M20 A1 | Bottom-base revos basic made of aluminum, with single locking lever andthreaded hole M20 on the bottom, low version, 6-polig |
| 70.334.0635.0 | Bottom BAS GUT GL 6 M25 A0 | Bottom-base revos basic made of aluminum, with single locking lever andcable gland M25 on the right and left side (IP54), low version, 6-polig |
| 70.334.0635.1 | Bottom BAS GUT GL 6 M25 A1 | Bottom-base revos basic made of aluminum, with single locking lever andthreaded hole M25 on the right and left side, low version, 6-polig |
| 70.335.0635.0 | Bottom BAS GUT GM 6 M25 50 A0 | Bottom-base revos basic made of aluminum, with single locking lever andcable gland M25 on the left side (IP54), low version, 6-polig |
| 70.335.0635.1 | Bottom BAS GUT GM 6 M25 A1 | Bottom-base revos basic made of aluminum, with single locking lever andthreaded hole M25 on the left side, low version, 6-polig |
| 70.337.0635.1 | Bottom BAS GUT GO 6 M25 A1 | Bottom-base revos basic made of aluminum, with single locking lever andthreaded hole M25 on the bottom, low version, 6-poles |
| 70.340.0635.0 | Bottom BAS GUT GR 6 M20 A0 | Bottom-base revos basic made of aluminum, with single locking lever andcable gland M20 on the right and the left side, with protective cover (IP54), low version, 6-polig |

| | | |
|---------------|-------------------------------|---|
| 70.340.0635.1 | Bottom BAS GUT GR 6 M20 A1 | Bottom-base revos basic made of aluminum, with single locking lever and threaded hole M20 on the right and the left side, with protective cover, low version, 6-polig |
| 70.341.0635.0 | Bottom BAS GUT GS 6 M20 A0 | Bottom-base revos basic made of aluminum, with single locking lever and cable gland M20 on the left side, with protective cover (IP54), low version, 6-polig |
| 70.341.0635.1 | Bottom BAS GUT GS 6 M20 A1 | Bottom-base revos basic made of aluminum, with single locking lever and threaded hole M20 on the left side, with protective cover, low version, 6-polig |
| 70.342.0635.0 | Bottom BAS GUT GT 6 M20 A0 | Bottom-base revos basic made of aluminum, with single locking lever and cable gland M20 on the right side, with protective cover (IP54), low version, 6-polig |
| 70.342.0635.1 | Bottom BAS GUT GT 6 M20 A1 | Bottom-base revos basic made of aluminum, with single locking lever and threaded hole M20 on the right side, with protective cover, low version, 6-polig |
| 70.343.0635.0 | Bottom BAS GUT GU 6 M20 A0 | Bottom-base revos basic made of aluminum, with single locking lever and cable gland M20 on the bottom, with protective cover (IP54), low version, 6-polig |
| 70.343.0635.1 | Bottom BAS GUT GU 6 M20 A1 | Bottom-base revos basic made of aluminum, with single locking lever and threaded hole M20 on the bottom, with protective cover, low version, 6-polig |
| 70.420.0637.0 | Bottom BAS GUM GK 6 B | Bottom-base revos basic metal-series without coating, open, low version, 6-poles |
| 70.425.0637.0 | Bottom BAS GUM GP 6 B | Bottom-base revos basic metal-series without coating, with single locking lever and protective cover, low version, 6-poles |
| 70.430.0637.1 | Bottom BAS GUM GL 6 M20 B1 | Bottom-base revos basic metal-series without coating, with single locking lever and threaded hole M20 on the right and left side, low version, 6-polig |
| 70.431.0637.1 | Bottom BAS GUM GM 6 M20 B1 | Bottom-base revos basic metal-series without coating, with single locking lever and threaded hole M20 on the left side, low version, 6-polig |
| 70.440.0637.1 | Bottom BAS GUM GR 6 M20 B1 | Bottom-base revos basic metal-series without coating, with single locking lever and threaded hole M20 on the right and the left side, with protective cover, low version, 6-polig |
| 70.441.0637.1 | Bottom BAS GUM GS 6 M20 B1 | Bottom-base revos basic metal-series without coating, with single locking lever and threaded hole M20 on the left side, with protective cover, low version, 6-polig |
| 73.330.0635.0 | Bottom BAS GUT GL 6HM25 69 A0 | Bottom-base revos basic made of aluminum, with single locking lever and cable gland M25 on the right and left side (IP54), high version, 6-polig |
| 73.330.0635.1 | Bottom BAS GUT GL 6HM25 69 A1 | Bottom-base revos basic made of aluminum, with single locking lever and threaded hole M25 on the right and left side, high version, 6-polig |
| 73.331.0635.0 | Bottom BAS GUT GM 6HM25 69 A0 | Bottom-base revos basic made of aluminum, with single locking lever and cable gland M25 on the left side (IP54), high version, 6-polig |
| 73.331.0635.1 | Bottom BAS GUT GM 6HM25 69 A1 | Bottom-base revos basic made of aluminum, with single locking lever and threaded hole M25 on the left side, high version, 6-polig |
| 73.334.0635.0 | Bottom BAS GUT GL 6HM32 69 A0 | Bottom-base revos basic made of aluminum, with single locking lever and cable gland M32 on the right and left side (IP54), high version, 6-polig |
| 73.334.0635.1 | Bottom BAS GUT GL 6HM32 69 A1 | Bottom-base revos basic made of aluminum, with single locking lever and threaded hole M32 on the right and left side, high version, 6-polig |
| 73.335.0635.1 | Bottom BAS GUT GM 6HM32 69 A1 | Bottom-base revos basic made of aluminum, with single locking lever and threaded hole M32 on the left side, high version, 6-polig |
| 73.340.0635.0 | Bottom BAS GUT GR 6HM25 69 A0 | Bottom-base revos basic made of aluminum, with single locking lever and cable gland M25 on the right and the left side, with protective cover (IP54), high version, 6-polig |

| | | |
|---------------|-------------------------------|--|
| 73.340.0635.1 | Bottom BAS GUT GR 6HM25 69 A1 | Bottom-base revos basic made of aluminum, with single locking lever and threaded hole M25 on the right and the left side, with protective cover, high version, 6-polig |
| 73.341.0635.0 | Bottom BAS GUT GS 6HM25 69 A0 | Bottom-base revos basic made of aluminum, with single locking lever and cable gland M25 on the left side, with protective cover (IP54), high version, 6-polig |
| 73.341.0635.1 | Bottom BAS GUT GS 6HM25 69 A1 | Bottom-base revos basic made of aluminum, with single locking lever and threaded hole M25 on the left side, with protective cover, high version, 6-polig |
| 73.342.0635.0 | Bottom BAS GUT GT 6HM25 69 A0 | Bottom-base revos basic made of aluminum, with single locking lever and cable gland M25 on the right side, with protective cover (IP54), high version, 6-polig |
| 73.342.0635.1 | Bottom BAS GUT GT 6HM25 69 A1 | Bottom-base revos basic made of aluminum, with single locking lever and threaded hole M25 on the right side, with protective cover, high version, 6-polig |
| 73.344.0635.1 | Bottom BAS GUT GR 6HM32 69 A1 | Bottom-base revos basic made of aluminum, with single locking lever and threaded hole M32 on the right and the left side, with protective cover, high version, 6-polig |
| 73.345.0635.1 | Bottom BAS GUT GS 6HM32 69 A1 | Bottom-base revos basic made of aluminum, with single locking lever and threaded hole M32 on the left side, with protective cover, high version, 6-polig |
| 73.346.0635.1 | Bottom BAS GUT GT 6HM32 69 A1 | Bottom-base revos basic made of aluminum, with single locking lever and threaded hole M32 on the right side, with protective cover, high version, 6-polig |



Buchseneinsatz
72.300.0653.0

12.11.2007
Roppelt Dominik
M 1:1

Zeichnungsnummer
72.300.0653.0.10W
Buchseneinsatz

Weitergabe sowie Vervielfältigung dieses Dokuments, Verwertung und Mitteilung seines Inhalts sind verboten, soweit nicht ausdrücklich gestattet. Die Reproduktion, Distribution und Utilization of this document as well as the communication of its contents to others without express authorization is prohibited.