

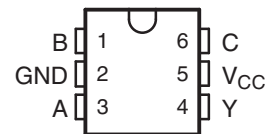
SINGLE-SUPPLY VOLTAGE-LEVEL TRANSLATOR WITH NINE CONFIGURABLE GATE LOGIC FUNCTIONS

Check for Samples: [SN74AUP1T58](#)

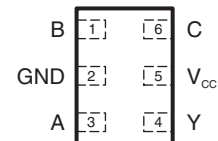
FEATURES

- Available in the Texas Instruments NanoStar™ Packages
- Single-Supply Voltage Translator
- 1.8 V to 3.3 V (at $V_{CC} = 3.3$ V)
- 2.5 V to 3.3 V (at $V_{CC} = 3.3$ V)
- 1.8 V to 2.5 V (at $V_{CC} = 2.5$ V)
- 3.3 V to 2.5 V (at $V_{CC} = 2.5$ V)
- Nine Configurable Gate Logic Functions
- Schmitt-Trigger Inputs Reject Input Noise and Provide Better Output Signal Integrity
- I_{off} Supports Partial-Power-Down Mode With Low Leakage Current (0.5 μ A)
- Very Low Static and Dynamic Power Consumption
- Pb-Free Packages Available: SON (DRY or DSF), SOT-23 (DBV), SC-70 (DCK), and NanoStar WCSP
- Latch-Up Performance Exceeds 100 mA Per JESD 78, Class II
- ESD Performance Tested Per JESD 22
 - 2000-V Human-Body Model (A114-B, Class II)
 - 1000-V Charged-Device Model (C101)
- Related Devices: SN74AUP1T57, SN74AUP1T97, and SN74AUP1T98

DBV OR DCK PACKAGE
(TOP VIEW)



DRY OR DSF PACKAGE
(TOP VIEW)



YFP OR YZP PACKAGE
(TOP VIEW)



DESCRIPTION/ORDERING INFORMATION

AUP technology is the industry's lowest-power logic technology designed for use in battery-operated or battery backed-up equipment. The SN74AUP1T58 is designed for logic-level translation applications with input switching levels that accept 1.8-V LVCMOS signals, while operating from either a single 3.3-V or 2.5-V V_{CC} supply.

The wide V_{CC} range of 2.3 V to 3.6 V allows the possibility of battery voltage drop during system operation and ensures normal operation between this range.

Schmitt-trigger inputs ($\Delta V_T = 210$ mV between positive and negative input transitions) offer improved noise immunity during switching transitions, which is especially useful on analog mixed-mode designs. Schmitt-trigger inputs reject input noise, ensure integrity of output signals, and allow for slow input signal transition.

The SN74AUP1T58 can be easily configured to perform a required gate function by connecting A, B, and C inputs to V_{CC} or ground (see Function Selection table). Up to nine commonly used logic gate functions can be performed.



Please be aware that an important notice concerning availability, standard warranty, and use in critical applications of Texas Instruments semiconductor products and disclaimers thereto appears at the end of this data sheet.

NanoStar is a trademark of Texas Instruments.

I_{off} is a feature that allows for powered-down conditions ($V_{CC} = 0\text{ V}$) and is important in portable and mobile applications. When $V_{CC} = 0\text{ V}$, signals in the range from 0 V to 3.6 V can be applied to the inputs and outputs of the device. No damage occurs to the device under these conditions.

The SN74AUP1T58 is designed with optimized current-drive capability of 4 mA to reduce line reflections, overshoot, and undershoot caused by high-drive outputs.

NanoStar package technology is a major breakthrough in IC packaging concepts, using the die as the package.

ORDERING INFORMATION⁽¹⁾

| T_A | PACKAGE ⁽²⁾ | | ORDERABLE PART NUMBER | TOP-SIDE MARKING ⁽³⁾ |
|---------------|--|--------------|-----------------------|---------------------------------|
| -40°C to 85°C | NanoStar™ – WCSP (DSBGA) 0.23-mm Large Bump – YZP (Pb-free) | Reel of 3000 | SN74AUP1T58YZPR | ___TJ_ |
| | NanoStar™ – WCSP (DSBGA) 0.23-mm Large Bump – YFP | Reel of 3000 | SN74AUP1T58YFPR | ___TJ_ |
| | QFN – DRY | Reel of 5000 | SN74AUP1T58DRYR | TJ |
| | uQFN – DSF | Reel of 5000 | SN74AUP1T58DSFR | TJ |
| | SOT (SOT-23) – DBV | Reel of 3000 | SN74AUP1T58DBVR | HT5_ |
| | SOT (SC-70) – DCK | Reel of 3000 | SN74AUP1T58DCKR | TJ_ |

- (1) For the most current package and ordering information, see the Package Option Addendum at the end of this document, or see the TI web site at www.ti.com.
- (2) Package drawings, thermal data, and symbolization are available at www.ti.com/packaging.
- (3) DBV/DCK: The actual top-side marking has one additional character that designates the wafer fab/assembly site.
YZP: The actual top-side marking has three preceding characters to denote year, month, and sequence code, and one following character to designate the wafer fab/assembly site. Pin 1 identifier indicates solder-bump composition (1 = SnPb, • = Pb-free).

FUNCTION SELECTION TABLE

| LOGIC FUNCTION | FIGURE NO. |
|---|------------|
| 2-input NAND gate | 5 |
| 2-input OR gate with both inputs inverted | 5 |
| 2-input AND gate with inverted input | 6, 7 |
| 2-input NOR gate with inverted input | 6, 7 |
| 2-input NAND gate with both inputs inverted | 8 |
| 2-input OR gate | 8 |
| 2-input XOR gate | 9 |
| Inverter | 10 |
| Noninverted buffer | 11 |

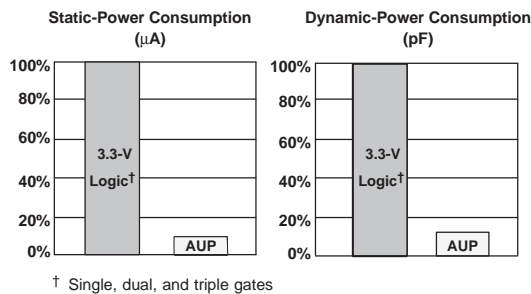


Figure 1. AUP – The Lowest-Power Family

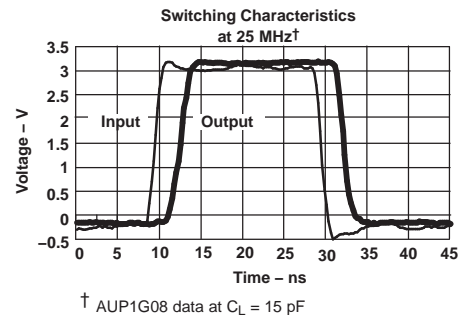


Figure 2. Excellent Signal Integrity

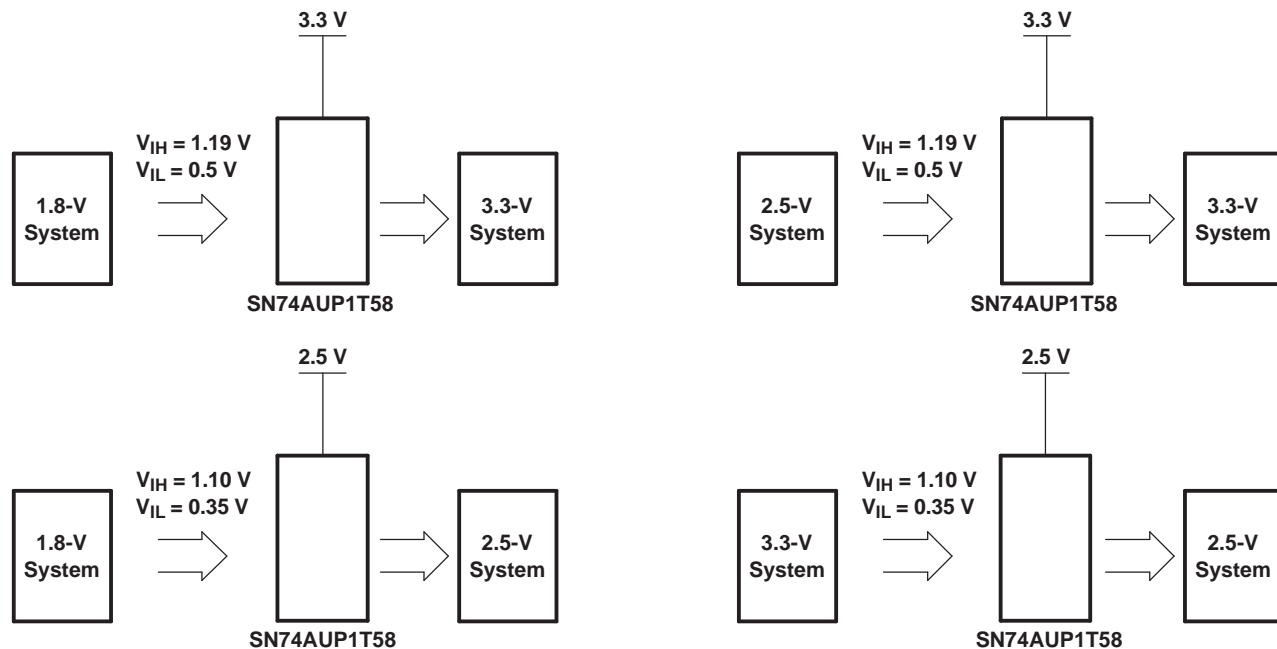


Figure 3. Possible Voltage-Translation Combinations

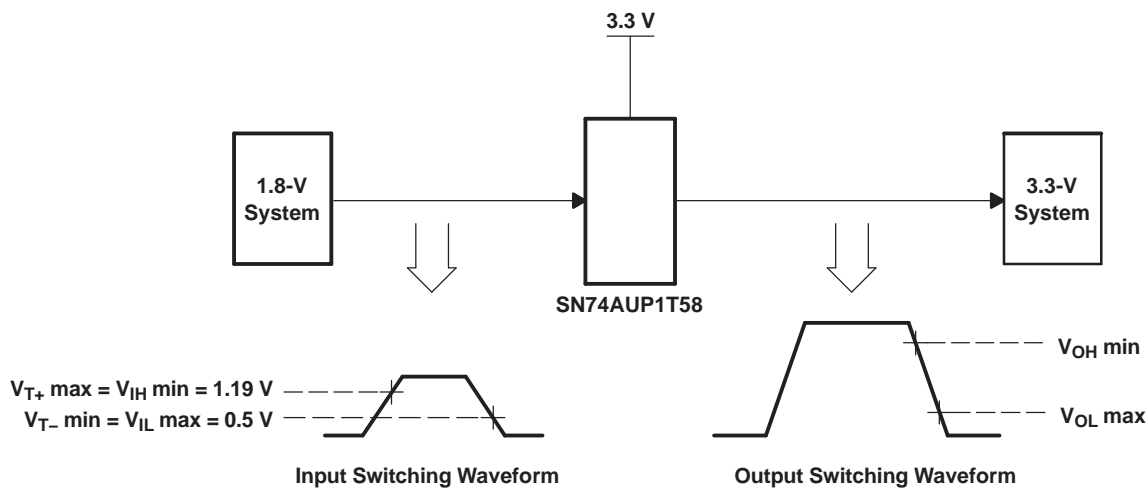
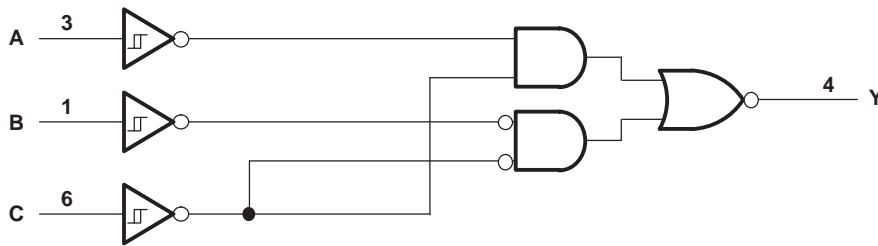


Figure 4. Switching Thresholds for 1.8-V to 3.3-V Translation

FUNCTION TABLE

| INPUTS | | | OUTPUT Y |
|--------|---|---|-------------|
| C | B | A | |
| L | L | L | L |
| L | L | H | H |
| L | H | L | L |
| L | H | H | H |
| H | L | L | H |
| H | L | H | H |
| H | H | L | L |
| H | H | H | L |

LOGIC DIAGRAM (POSITIVE LOGIC)



LOGIC CONFIGURATIONS

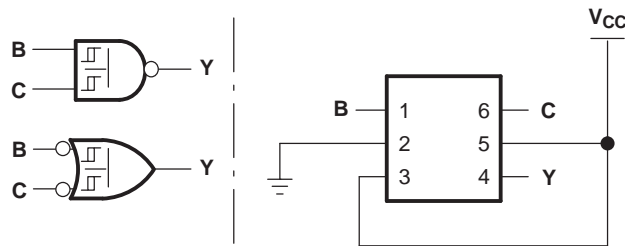


Figure 5. 00/14+32: 2-Input NAND Gate 2-Input OR Gate With Both Inputs Inverted

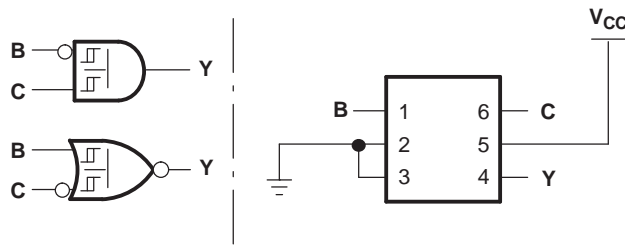


Figure 6. 14+08/14+02: 2-Input AND Gate With Inverted B Input 2-Input NOR Gate With Inverted Input

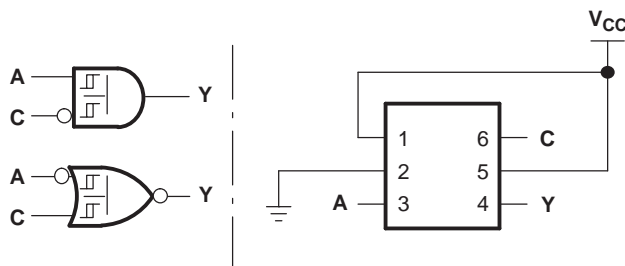


Figure 7. 14+08/14+02: 2-Input AND Gate With Inverted C Input 2-Input NOR Gate With Inverted Input

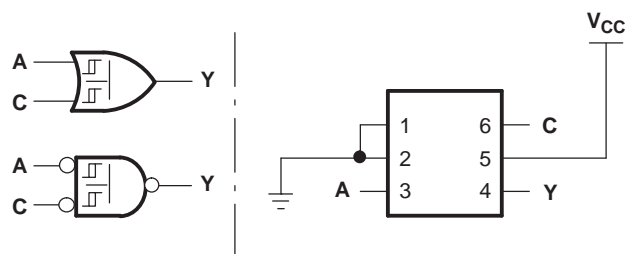


Figure 8. 32/14+00: 2-Input OR Gate 2-Input NAND Gate With Both Inputs Inverted

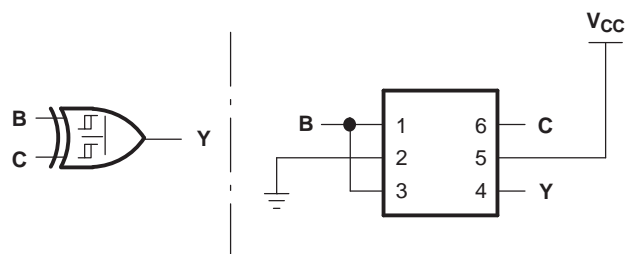


Figure 9. 86: 2-Input XOR Gate

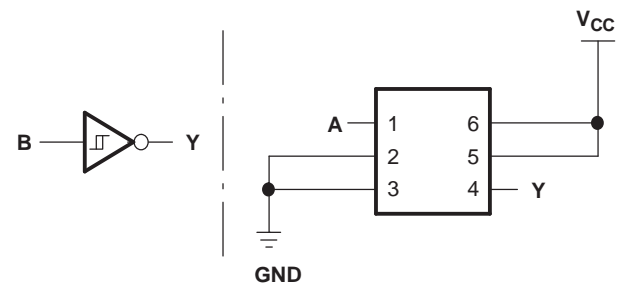


Figure 10. 04/14: Inverter

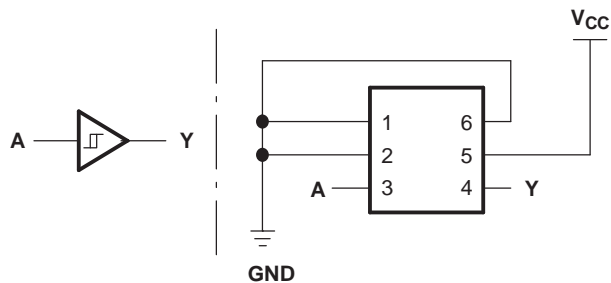


Figure 11. 17/34: Noninverted Buffer

ABSOLUTE MAXIMUM RATINGS⁽¹⁾

over operating free-air temperature range (unless otherwise noted)

| | | MIN | MAX | UNIT |
|---------------|---|-------------|----------------|------|
| V_{CC} | Supply voltage range | -0.5 | 4.6 | V |
| V_I | Input voltage range ⁽²⁾ | -0.5 | 4.6 | V |
| V_O | Voltage range applied to any output in the high-impedance or power-off state ⁽²⁾ | -0.5 | 4.6 | V |
| V_O | Output voltage range in the high or low state ⁽²⁾ | -0.5 | $V_{CC} + 0.5$ | V |
| I_{IK} | Input clamp current | $V_I < 0$ | -50 | mA |
| I_{OK} | Output clamp current | $V_O < 0$ | -50 | mA |
| I_O | Continuous output current | | ±20 | mA |
| | Continuous current through V_{CC} or GND | | ±50 | mA |
| θ_{JA} | Package thermal impedance ⁽³⁾ | DBV package | 165 | °C/W |
| | | DCK package | 259 | |
| | | DRY package | 340 | |
| | | DSF package | 300 | |
| | | YFP package | 123 | |
| | | YZP package | 123 | |
| T_{stg} | Storage temperature range | -65 | 150 | °C |

- (1) Stresses beyond those listed under "absolute maximum ratings" may cause permanent damage to the device. These are stress ratings only, and functional operation of the device at these or any other conditions beyond those indicated under "recommended operating conditions" is not implied. Exposure to absolute-maximum-rated conditions for extended periods may affect device reliability.
- (2) The input negative-voltage and output voltage ratings may be exceeded if the input and output current ratings are observed.
- (3) The package thermal impedance is calculated in accordance with JESD 51-7.

RECOMMENDED OPERATING CONDITIONS⁽¹⁾

| | | MIN | MAX | UNIT |
|----------|--------------------------------|------------------|----------|------|
| V_{CC} | Supply voltage | 2.3 | 3.6 | V |
| V_I | Input voltage | 0 | 3.6 | V |
| V_O | Output voltage | 0 | V_{CC} | V |
| I_{OH} | High-level output current | $V_{CC} = 2.3$ V | -3.1 | mA |
| | | $V_{CC} = 3$ V | -4 | |
| I_{OL} | Low-level output current | $V_{CC} = 2.3$ V | 3.1 | mA |
| | | $V_{CC} = 3$ V | 4 | |
| T_A | Operating free-air temperature | -40 | 85 | °C |

- (1) All unused inputs of the device must be held at V_{CC} or GND to ensure proper device operation. See the TI application report *Implications of Slow or Floating CMOS Inputs*, literature number [SCBA004](#).

ELECTRICAL CHARACTERISTICS

over recommended operating free-air temperature range (unless otherwise noted)

| PARAMETER | TEST CONDITIONS | V_{CC} | $T_A = 25^\circ\text{C}$ | | | $T_A = -40^\circ\text{C}$ to 85°C | | UNIT |
|--|----------------------------|--|--------------------------|------|----------------|--|---------------|---------------|
| | | | MIN | TYP | MAX | MIN | MAX | |
| V_{T+} Positive-going input threshold voltage | | 2.3 V to 2.7 V | 0.6 | 1.1 | 0.6 | 1.1 | V | |
| | | 3 V to 3.6 V | 0.75 | 1.16 | 0.75 | 1.19 | | |
| V_{T-} Negative-going input threshold voltage | | 2.3 V to 2.7 V | 0.35 | 0.6 | 0.35 | 0.6 | V | |
| | | 3 V to 3.6 V | 0.5 | 0.85 | 0.5 | 0.85 | | |
| ΔV_T Hysteresis ($V_{T+} - V_{T-}$) | | 2.3 V to 2.7 V | 0.23 | 0.6 | 0.1 | 0.6 | V | |
| | | 3 V to 3.6 V | 0.25 | 0.56 | 0.15 | 0.56 | | |
| V_{OH} | $I_{OH} = -20 \mu\text{A}$ | 2.3 V to 3.6 V | $V_{CC} - 0.1$ | | $V_{CC} - 0.1$ | | V | |
| | $I_{OH} = -2.3 \text{ mA}$ | 2.3 V | 2.05 | | 1.97 | | | |
| | $I_{OH} = -3.1 \text{ mA}$ | | 1.9 | | 1.85 | | | |
| | $I_{OH} = -2.7 \text{ mA}$ | 3 V | 2.72 | | 2.67 | | | |
| | $I_{OH} = -4 \text{ mA}$ | | 2.6 | | 2.55 | | | |
| V_{OL} | $I_{OL} = 20 \mu\text{A}$ | 2.3 V to 3.6 V | | | 0.1 | 0.1 | V | |
| | $I_{OL} = 2.3 \text{ mA}$ | 2.3 V | | | 0.31 | 0.33 | | |
| | $I_{OL} = 3.1 \text{ mA}$ | | | | 0.44 | 0.45 | | |
| | $I_{OL} = 2.7 \text{ mA}$ | 3 V | | | 0.31 | 0.33 | | |
| | $I_{OL} = 4 \text{ mA}$ | | | | 0.44 | 0.45 | | |
| I_I | All inputs | $V_I = 3.6 \text{ V}$ or GND | 0 V to 3.6 V | | 0.1 | 0.5 | μA | |
| I_{off} | | V_I or $V_O = 0 \text{ V}$ to 3.6 V | 0 V | | 0.1 | 0.5 | μA | |
| ΔI_{off} | | V_I or $V_O = 3.6 \text{ V}$ | 0 V to 0.2 V | | 0.2 | 0.5 | μA | |
| I_{CC} | | $V_I = 3.6 \text{ V}$ or GND, $I_O = 0$ | 2.3 V to 3.6 V | | 0.5 | 0.9 | μA | |
| ΔI_{CC} | | One input at 0.3 V or 1.1 V, Other inputs at 0 or V_{CC} , $I_O = 0$ | 2.3 V to 2.7 V | | | | 4 | μA |
| | | One input at 0.45 V or 1.2 V, Other inputs at 0 or V_{CC} , $I_O = 0$ | 3 V to 3.6 V | | | | 12 | |
| C_i | | $V_I = V_{CC}$ or GND | 3.3 V | | 1.5 | | pF | |
| C_o | | $V_O = V_{CC}$ or GND | 3.3 V | | 3 | | pF | |

SWITCHING CHARACTERISTICS

over recommended operating free-air temperature range, $V_{CC} = 2.5 \text{ V} \pm 0.2 \text{ V}$, $V_I = 1.8 \text{ V} \pm 0.15 \text{ V}$ (unless otherwise noted)
(see [Figure 12](#))

| PARAMETER | FROM (INPUT) | TO (OUTPUT) | C_L | $T_A = 25^\circ\text{C}$ | | | $T_A = -40^\circ\text{C}$ to 85°C | | UNIT |
|-----------|-----------------|----------------|-------|--------------------------|-----|-----|--|------|------|
| | | | | MIN | TYP | MAX | MIN | MAX | |
| t_{pd} | A, B, or C | Y | 5 pF | 1.8 | 2.3 | 2.9 | 0.5 | 6.8 | ns |
| | | | 10 pF | 2.3 | 2.8 | 3.4 | 1 | 7.9 | |
| | | | 15 pF | 2.6 | 3.1 | 3.8 | 1 | 8.7 | |
| | | | 30 pF | 3.8 | 4.4 | 5.1 | 1.5 | 10.8 | |

SWITCHING CHARACTERISTICS

over recommended operating free-air temperature range, $V_{CC} = 2.5\text{ V} \pm 0.2\text{ V}$, $V_I = 2.5\text{ V} \pm 0.2\text{ V}$ (unless otherwise noted) (see [Figure 12](#))

| PARAMETER | FROM (INPUT) | TO (OUTPUT) | C_L | $T_A = 25^\circ\text{C}$ | | | $T_A = -40^\circ\text{C}$ to 85°C | | UNIT |
|-----------|--------------|-------------|-------|--------------------------|-----|-----|---|-----|------|
| | | | | MIN | TYP | MAX | MIN | MAX | |
| t_{pd} | A, B, or C | Y | 5 pF | 1.8 | 2.3 | 3.1 | 0.5 | 6 | ns |
| | | | 10 pF | 2.2 | 2.8 | 3.5 | 1 | 7.1 | |
| | | | 15 pF | 2.6 | 3.2 | 5.2 | 1 | 7.9 | |
| | | | 30 pF | 3.7 | 4.4 | 5.2 | 1.5 | 10 | |

SWITCHING CHARACTERISTICS

over recommended operating free-air temperature range, $V_{CC} = 2.5\text{ V} \pm 0.2\text{ V}$, $V_I = 3.3\text{ V} \pm 0.3\text{ V}$ (unless otherwise noted) (see [Figure 12](#))

| PARAMETER | FROM (INPUT) | TO (OUTPUT) | C_L | $T_A = 25^\circ\text{C}$ | | | $T_A = -40^\circ\text{C}$ to 85°C | | UNIT |
|-----------|--------------|-------------|-------|--------------------------|-----|-----|---|-----|------|
| | | | | MIN | TYP | MAX | MIN | MAX | |
| t_{pd} | A, B, or C | Y | 5 pF | 2 | 2.7 | 3.5 | 0.5 | 5.5 | ns |
| | | | 10 pF | 2.4 | 3.1 | 3.9 | 1 | 6.5 | |
| | | | 15 pF | 2.8 | 3.5 | 4.3 | 1 | 7.4 | |
| | | | 30 pF | 4 | 4.7 | 5.5 | 1.5 | 9.5 | |

SWITCHING CHARACTERISTICS

over recommended operating free-air temperature range, $V_{CC} = 3.3\text{ V} \pm 0.3\text{ V}$, $V_I = 1.8\text{ V} \pm 0.15\text{ V}$ (unless otherwise noted) (see [Figure 12](#))

| PARAMETER | FROM (INPUT) | TO (OUTPUT) | C_L | $T_A = 25^\circ\text{C}$ | | | $T_A = -40^\circ\text{C}$ to 85°C | | UNIT |
|-----------|--------------|-------------|-------|--------------------------|-----|-----|---|-----|------|
| | | | | MIN | TYP | MAX | MIN | MAX | |
| t_{pd} | A, B, or C | Y | 5 pF | 1.6 | 2 | 2.5 | 0.5 | 8 | ns |
| | | | 10 pF | 2 | 2.4 | 2.9 | 1 | 8.5 | |
| | | | 15 pF | 2.3 | 2.8 | 3.3 | 1 | 9.1 | |
| | | | 30 pF | 3.4 | 3.9 | 4.4 | 1.5 | 9.8 | |

SWITCHING CHARACTERISTICS

over recommended operating free-air temperature range, $V_{CC} = 3.3\text{ V} \pm 0.3\text{ V}$, $V_I = 2.5\text{ V} \pm 0.2\text{ V}$ (unless otherwise noted) (see [Figure 12](#))

| PARAMETER | FROM (INPUT) | TO (OUTPUT) | C_L | $T_A = 25^\circ\text{C}$ | | | $T_A = -40^\circ\text{C}$ to 85°C | | UNIT |
|-----------|--------------|-------------|-------|--------------------------|-----|-----|---|-----|------|
| | | | | MIN | TYP | MAX | MIN | MAX | |
| t_{pd} | A, B, or C | Y | 5 pF | 1.6 | 1.9 | 2.4 | 0.5 | 5.3 | ns |
| | | | 10 pF | 2 | 2.3 | 2.7 | 1 | 6.1 | |
| | | | 15 pF | 2.3 | 2.7 | 3.1 | 1 | 6.8 | |
| | | | 30 pF | 3.4 | 3.8 | 4.2 | 1.5 | 8.5 | |

SWITCHING CHARACTERISTICS

over recommended operating free-air temperature range, $V_{CC} = 3.3 \text{ V} \pm 0.3 \text{ V}$, $V_I = 3.3 \text{ V} \pm 0.3 \text{ V}$ (unless otherwise noted)
(see [Figure 12](#))

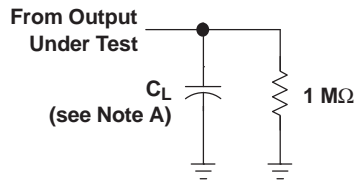
| PARAMETER | FROM (INPUT) | TO (OUTPUT) | C_L | $T_A = 25^\circ\text{C}$ | | | $T_A = -40^\circ\text{C}$ to 85°C | | UNIT |
|-----------|-----------------|----------------|-------|--------------------------|-----|-----|--|-----|------|
| | | | | MIN | TYP | MAX | MIN | MAX | |
| t_{pd} | A, B, or C | Y | 5 pF | 1.6 | 2.1 | 2.7 | 0.5 | 4.7 | ns |
| | | | 10 pF | 2 | 2.4 | 3 | 1 | 5.7 | |
| | | | 15 pF | 2.3 | 2.7 | 3.3 | 1 | 6.2 | |
| | | | 30 pF | 3.4 | 3.8 | 4.4 | 1.5 | 7.8 | |

OPERATING CHARACTERISTICS

$T_A = 25^\circ\text{C}$

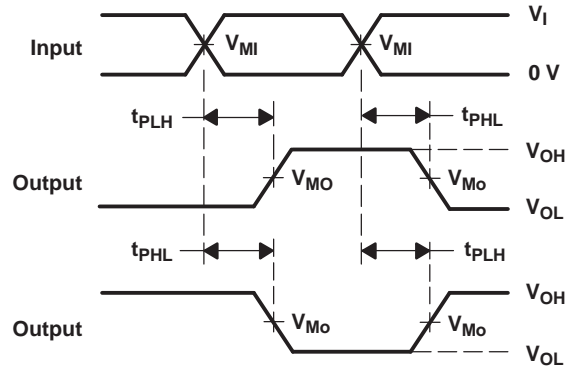
| PARAMETER | TEST CONDITIONS | $V_{CC} = 2.5 \text{ V}$ | $V_{CC} = 3.3 \text{ V}$ | UNIT |
|--|----------------------|--------------------------|--------------------------|------|
| | | TYP | TYP | |
| C_{pd} Power dissipation capacitance | $f = 10 \text{ MHz}$ | 4 | 5 | pF |

PARAMETER MEASUREMENT INFORMATION



| | $V_{CC} = 2.5\text{ V}$ $\pm 0.2\text{ V}$ | $V_{CC} = 3.3\text{ V}$ $\pm 0.3\text{ V}$ |
|----------|---|---|
| C_L | 5, 10, 15, 30 pF | 5, 10, 15, 30 pF |
| V_{MI} | $V_I/2$ | $V_I/2$ |
| V_{MO} | $V_{CC}/2$ | $V_{CC}/2$ |

LOAD CIRCUIT



VOLTAGE WAVEFORMS
PROPAGATION DELAY TIMES
INVERTING AND NONINVERTING OUTPUTS

- NOTES: A. C_L includes probe and jig capacitance.
 B. All input pulses are supplied by generators having the following characteristics: PRR ≤ 10 MHz, $Z_O = 50\ \Omega$, slew rate ≥ 1 V/ns.
 C. The outputs are measured one at a time, with one transition per measurement.
 D. t_{PLH} and t_{PHL} are the same as t_{pd} .

Figure 12. Load Circuit and Voltage Waveforms

PACKAGING INFORMATION

| Orderable Device | Status (1) | Package Type | Package Drawing | Pins | Package Qty | Eco Plan (2) | Lead/Ball Finish (6) | MSL Peak Temp (3) | Op Temp (°C) | Device Marking (4/5) | Samples |
|------------------|---------------|--------------|-----------------|------|-------------|-------------------------|-------------------------|----------------------|--------------|-------------------------|-------------------------|
| SN74AUP1T58DBVR | ACTIVE | SOT-23 | DBV | 6 | 3000 | Green (RoHS & no Sb/Br) | CU NIPDAU | Level-1-260C-UNLIM | -40 to 85 | HT5R | Samples |
| SN74AUP1T58DCKR | ACTIVE | SC70 | DCK | 6 | 3000 | Green (RoHS & no Sb/Br) | CU NIPDAU | Level-1-260C-UNLIM | -40 to 85 | (TJF ~ TJR) | Samples |
| SN74AUP1T58DCKT | ACTIVE | SC70 | DCK | 6 | 250 | Green (RoHS & no Sb/Br) | CU NIPDAU | Level-1-260C-UNLIM | -40 to 85 | (TJF ~ TJR) | Samples |
| SN74AUP1T58DRYR | ACTIVE | SON | DRY | 6 | 5000 | Green (RoHS & no Sb/Br) | CU NIPDAU | Level-1-260C-UNLIM | -40 to 85 | TJ | Samples |
| SN74AUP1T58DSFR | ACTIVE | SON | DSF | 6 | 5000 | Green (RoHS & no Sb/Br) | CU NIPDAUAG | Level-1-260C-UNLIM | -40 to 85 | TJ | Samples |
| SN74AUP1T58YFPR | ACTIVE | DSBGA | YFP | 6 | 3000 | Green (RoHS & no Sb/Br) | SNAGCU | Level-1-260C-UNLIM | -40 to 85 | (TJ2 ~ TJN) | Samples |
| SN74AUP1T58YZPR | PREVIEW | DSBGA | YZP | 6 | 3000 | TBD | Call TI | Call TI | -40 to 85 | | |

(1) The marketing status values are defined as follows:

ACTIVE: Product device recommended for new designs.

LIFEBUY: TI has announced that the device will be discontinued, and a lifetime-buy period is in effect.

NRND: Not recommended for new designs. Device is in production to support existing customers, but TI does not recommend using this part in a new design.

PREVIEW: Device has been announced but is not in production. Samples may or may not be available.

OBSELETE: TI has discontinued the production of the device.

(2) Eco Plan - The planned eco-friendly classification: Pb-Free (RoHS), Pb-Free (RoHS Exempt), or Green (RoHS & no Sb/Br) - please check <http://www.ti.com/productcontent> for the latest availability information and additional product content details.

TBD: The Pb-Free/Green conversion plan has not been defined.

Pb-Free (RoHS): TI's terms "Lead-Free" or "Pb-Free" mean semiconductor products that are compatible with the current RoHS requirements for all 6 substances, including the requirement that lead not exceed 0.1% by weight in homogeneous materials. Where designed to be soldered at high temperatures, TI Pb-Free products are suitable for use in specified lead-free processes.

Pb-Free (RoHS Exempt): This component has a RoHS exemption for either 1) lead-based flip-chip solder bumps used between the die and package, or 2) lead-based die adhesive used between the die and leadframe. The component is otherwise considered Pb-Free (RoHS compatible) as defined above.

Green (RoHS & no Sb/Br): TI defines "Green" to mean Pb-Free (RoHS compatible), and free of Bromine (Br) and Antimony (Sb) based flame retardants (Br or Sb do not exceed 0.1% by weight in homogeneous material)

(3) MSL, Peak Temp. - The Moisture Sensitivity Level rating according to the JEDEC industry standard classifications, and peak solder temperature.

(4) There may be additional marking, which relates to the logo, the lot trace code information, or the environmental category on the device.

⁽⁵⁾ Multiple Device Markings will be inside parentheses. Only one Device Marking contained in parentheses and separated by a "-" will appear on a device. If a line is indented then it is a continuation of the previous line and the two combined represent the entire Device Marking for that device.

⁽⁶⁾ Lead/Ball Finish - Orderable Devices may have multiple material finish options. Finish options are separated by a vertical ruled line. Lead/Ball Finish values may wrap to two lines if the finish value exceeds the maximum column width.

Important Information and Disclaimer:The information provided on this page represents TI's knowledge and belief as of the date that it is provided. TI bases its knowledge and belief on information provided by third parties, and makes no representation or warranty as to the accuracy of such information. Efforts are underway to better integrate information from third parties. TI has taken and continues to take reasonable steps to provide representative and accurate information but may not have conducted destructive testing or chemical analysis on incoming materials and chemicals. TI and TI suppliers consider certain information to be proprietary, and thus CAS numbers and other limited information may not be available for release.

In no event shall TI's liability arising out of such information exceed the total purchase price of the TI part(s) at issue in this document sold by TI to Customer on an annual basis.

TAPE AND REEL INFORMATION

QUADRANT ASSIGNMENTS FOR PIN 1 ORIENTATION IN TAPE


*All dimensions are nominal

| Device | Package Type | Package Drawing | Pins | SPQ | Reel Diameter (mm) | Reel Width W1 (mm) | A0 (mm) | B0 (mm) | K0 (mm) | P1 (mm) | W (mm) | Pin1 Quadrant |
|-----------------|--------------|-----------------|------|------|--------------------|--------------------|---------|---------|---------|---------|--------|---------------|
| SN74AUP1T58DBVR | SOT-23 | DBV | 6 | 3000 | 180.0 | 8.4 | 3.23 | 3.17 | 1.37 | 4.0 | 8.0 | Q3 |
| SN74AUP1T58DCKR | SC70 | DCK | 6 | 3000 | 180.0 | 8.4 | 2.41 | 2.41 | 1.2 | 4.0 | 8.0 | Q3 |
| SN74AUP1T58DCKT | SC70 | DCK | 6 | 250 | 180.0 | 8.4 | 2.41 | 2.41 | 1.2 | 4.0 | 8.0 | Q3 |
| SN74AUP1T58DCKT | SC70 | DCK | 6 | 250 | 180.0 | 8.4 | 2.3 | 2.52 | 1.2 | 4.0 | 8.0 | Q3 |
| SN74AUP1T58DRYR | SON | DRY | 6 | 5000 | 180.0 | 8.4 | 1.25 | 1.6 | 0.7 | 4.0 | 8.0 | Q1 |
| SN74AUP1T58DSFR | SON | DSF | 6 | 5000 | 180.0 | 8.4 | 1.16 | 1.16 | 0.63 | 4.0 | 8.0 | Q2 |
| SN74AUP1T58YFPR | DSBGA | YFP | 6 | 3000 | 178.0 | 9.2 | 0.89 | 1.29 | 0.62 | 4.0 | 8.0 | Q1 |

TAPE AND REEL BOX DIMENSIONS


*All dimensions are nominal

| Device | Package Type | Package Drawing | Pins | SPQ | Length (mm) | Width (mm) | Height (mm) |
|-----------------|--------------|-----------------|------|------|-------------|------------|-------------|
| SN74AUP1T58DBVR | SOT-23 | DBV | 6 | 3000 | 202.0 | 201.0 | 28.0 |
| SN74AUP1T58DCKR | SC70 | DCK | 6 | 3000 | 202.0 | 201.0 | 28.0 |
| SN74AUP1T58DCKT | SC70 | DCK | 6 | 250 | 202.0 | 201.0 | 28.0 |
| SN74AUP1T58DCKT | SC70 | DCK | 6 | 250 | 214.0 | 199.0 | 55.0 |
| SN74AUP1T58DRYR | SON | DRY | 6 | 5000 | 202.0 | 201.0 | 28.0 |
| SN74AUP1T58DSFR | SON | DSF | 6 | 5000 | 202.0 | 201.0 | 28.0 |
| SN74AUP1T58YFPR | DSBGA | YFP | 6 | 3000 | 220.0 | 220.0 | 35.0 |

GENERIC PACKAGE VIEW

DRY 6

USON - 0.6 mm max height

PLASTIC SMALL OUTLINE - NO LEAD



Images above are just a representation of the package family, actual package may vary.
Refer to the product data sheet for package details.

4207181/G

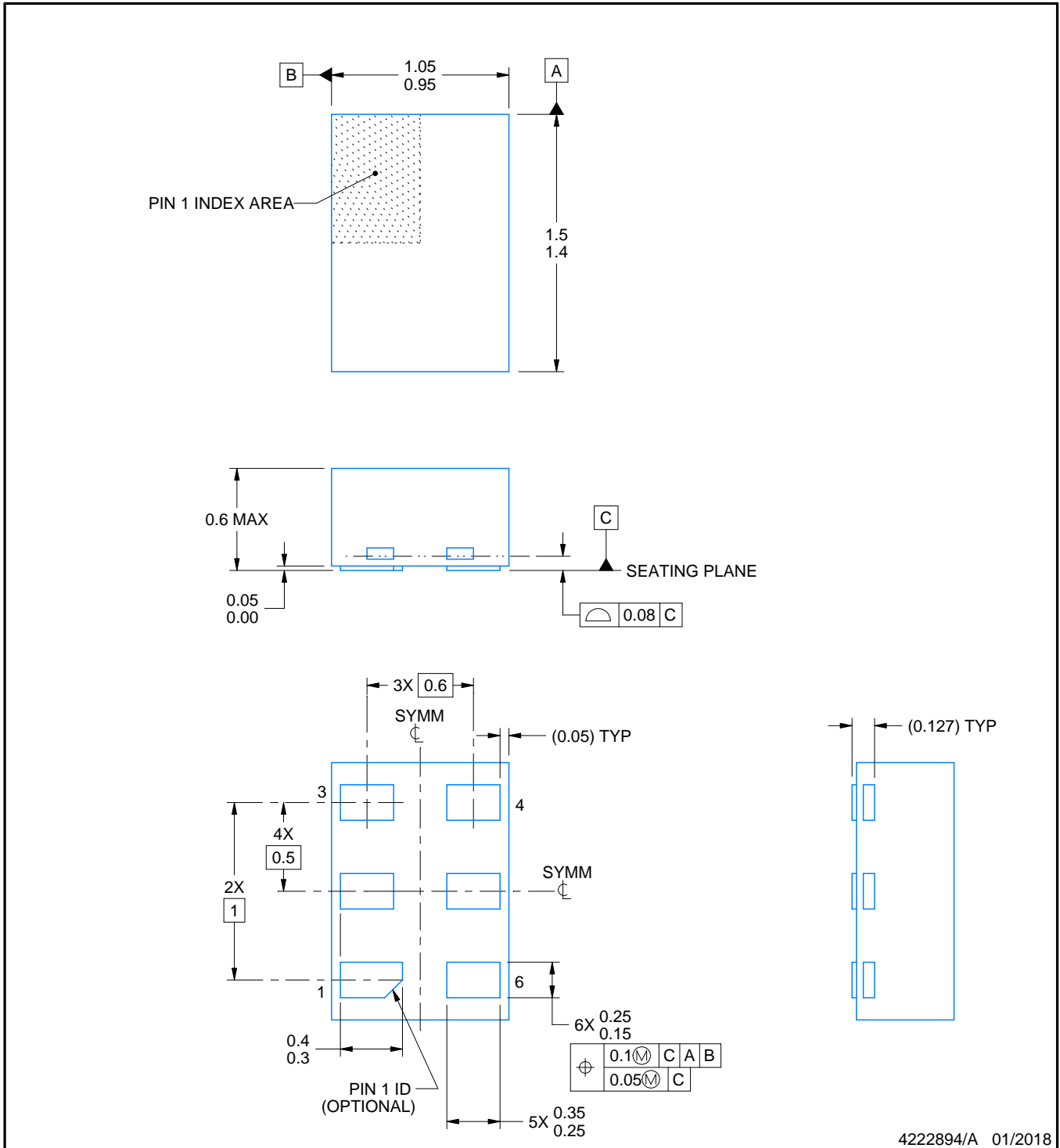
DRY0006A



PACKAGE OUTLINE

USON - 0.6 mm max height

PLASTIC SMALL OUTLINE - NO LEAD



4222894/A 01/2018

NOTES:

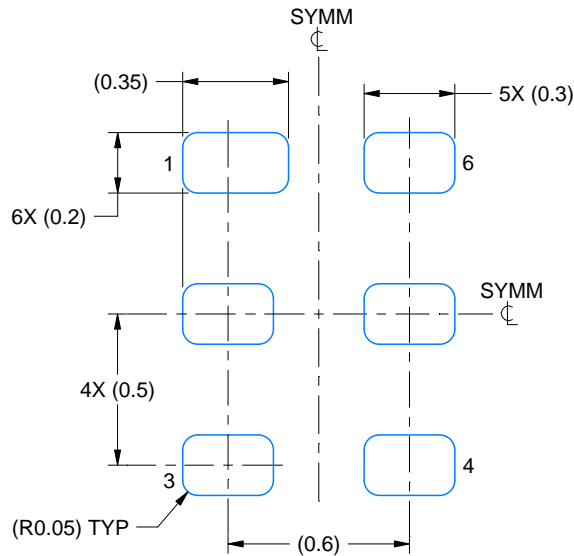
1. All linear dimensions are in millimeters. Any dimensions in parenthesis are for reference only. Dimensioning and tolerancing per ASME Y14.5M.
2. This drawing is subject to change without notice.

EXAMPLE BOARD LAYOUT

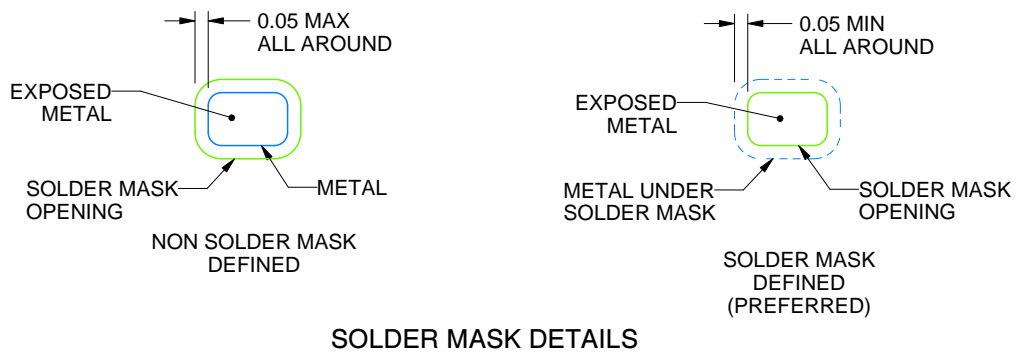
DRY0006A

USON - 0.6 mm max height

PLASTIC SMALL OUTLINE - NO LEAD



LAND PATTERN EXAMPLE
1:1 RATIO WITH PKG SOLDER PADS
EXPOSED METAL SHOWN
SCALE:40X



SOLDER MASK DETAILS

4222894/A 01/2018

NOTES: (continued)

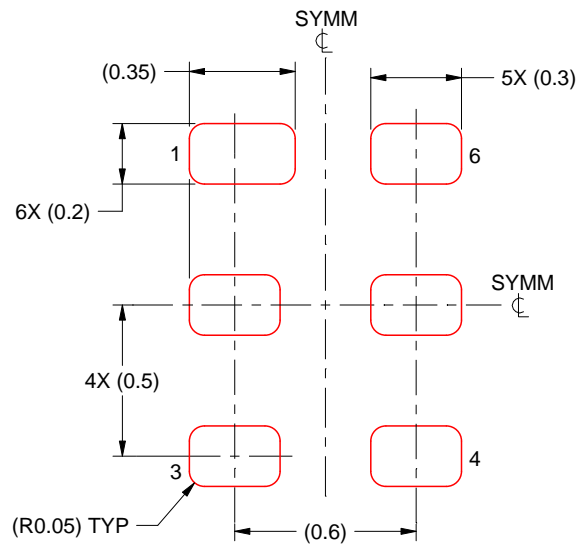
3. For more information, see QFN/SON PCB application report in literature No. SLUA271 (www.ti.com/lit/slue271).

EXAMPLE STENCIL DESIGN

DRY0006A

USON - 0.6 mm max height

PLASTIC SMALL OUTLINE - NO LEAD



SOLDER PASTE EXAMPLE
BASED ON 0.075 - 0.1 mm THICK STENCIL
SCALE:40X

4222894/A 01/2018

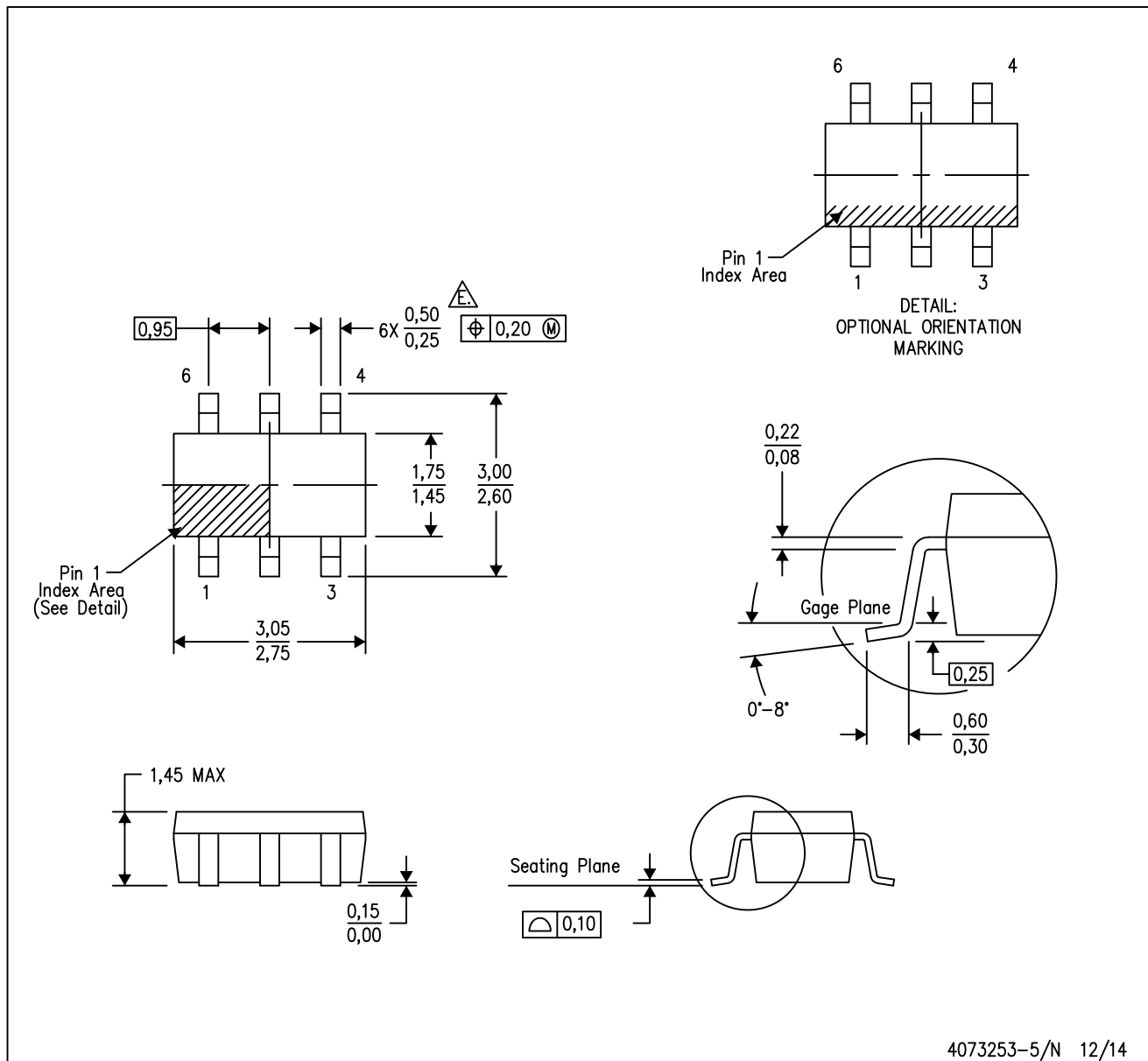
NOTES: (continued)

4. Laser cutting apertures with trapezoidal walls and rounded corners may offer better paste release. IPC-7525 may have alternate design recommendations.

MECHANICAL DATA

DBV (R-PDSO-G6)

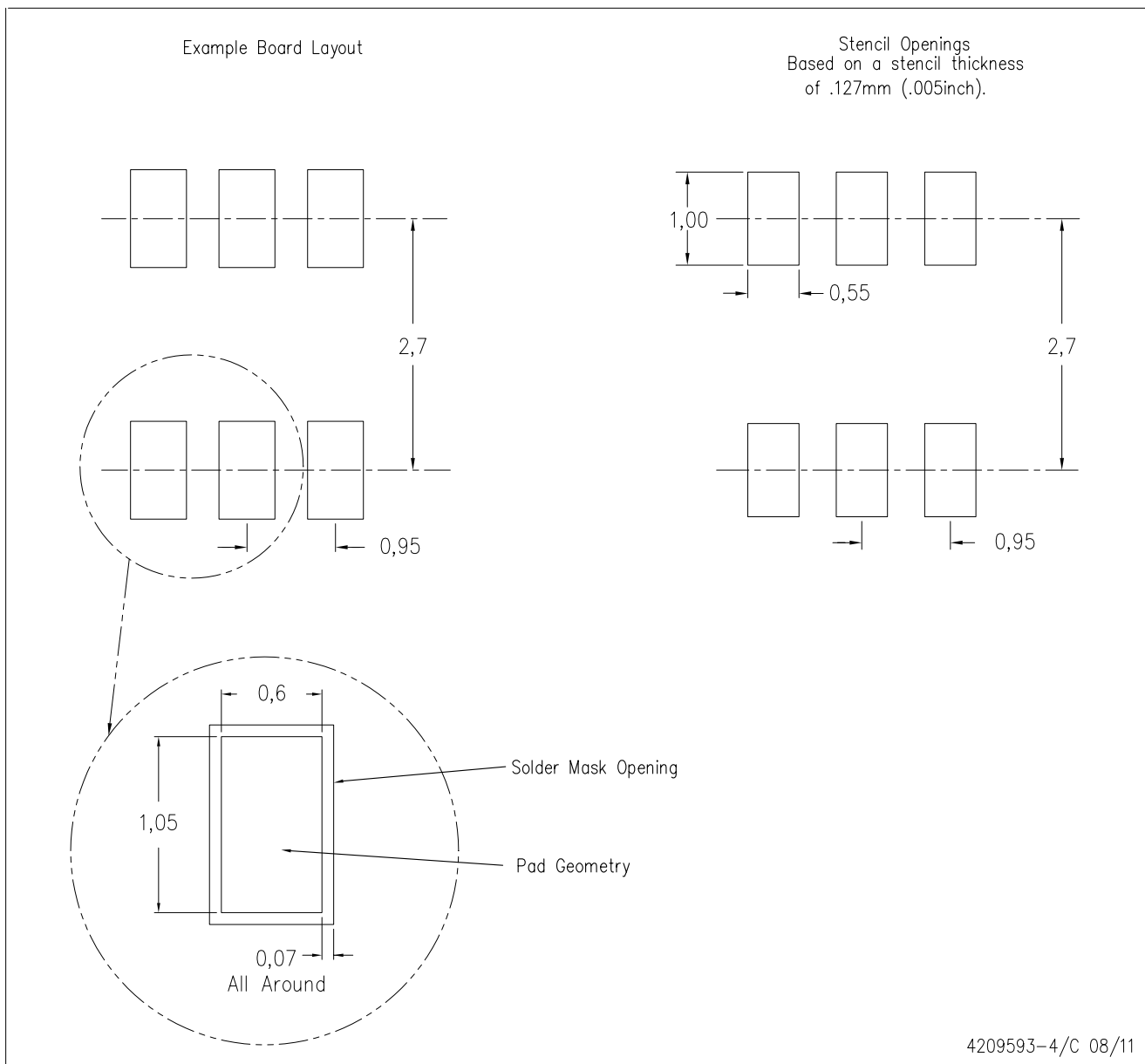
PLASTIC SMALL-OUTLINE PACKAGE



- NOTES:
- A. All linear dimensions are in millimeters.
 - B. This drawing is subject to change without notice.
 - C. Body dimensions do not include mold flash or protrusion. Mold flash and protrusion shall not exceed 0.15 per side.
 - D. Leads 1,2,3 may be wider than leads 4,5,6 for package orientation.
- ⚠ Falls within JEDEC MO-178 Variation AB, except minimum lead width.

DBV (R-PDSO-G6)

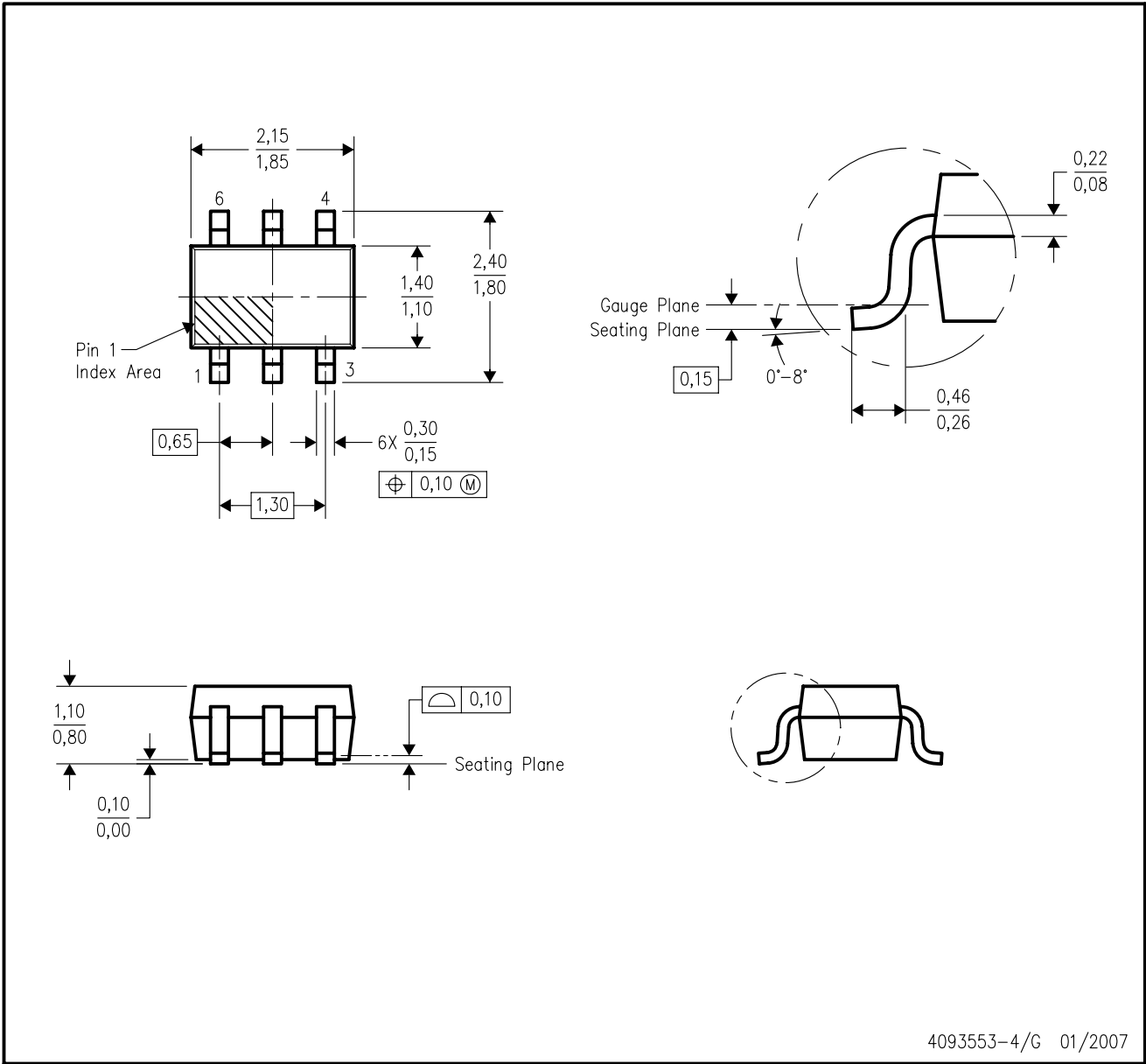
PLASTIC SMALL OUTLINE



- NOTES:
- A. All linear dimensions are in millimeters.
 - B. This drawing is subject to change without notice.
 - C. Customers should place a note on the circuit board fabrication drawing not to alter the center solder mask defined pad.
 - D. Publication IPC-7351 is recommended for alternate designs.
 - E. Laser cutting apertures with trapezoidal walls and also rounding corners will offer better paste release. Customers should contact their board assembly site for stencil design recommendations. Example stencil design based on a 50% volumetric metal load solder paste. Refer to IPC-7525 for other stencil recommendations.

DCK (R-PDSO-G6)

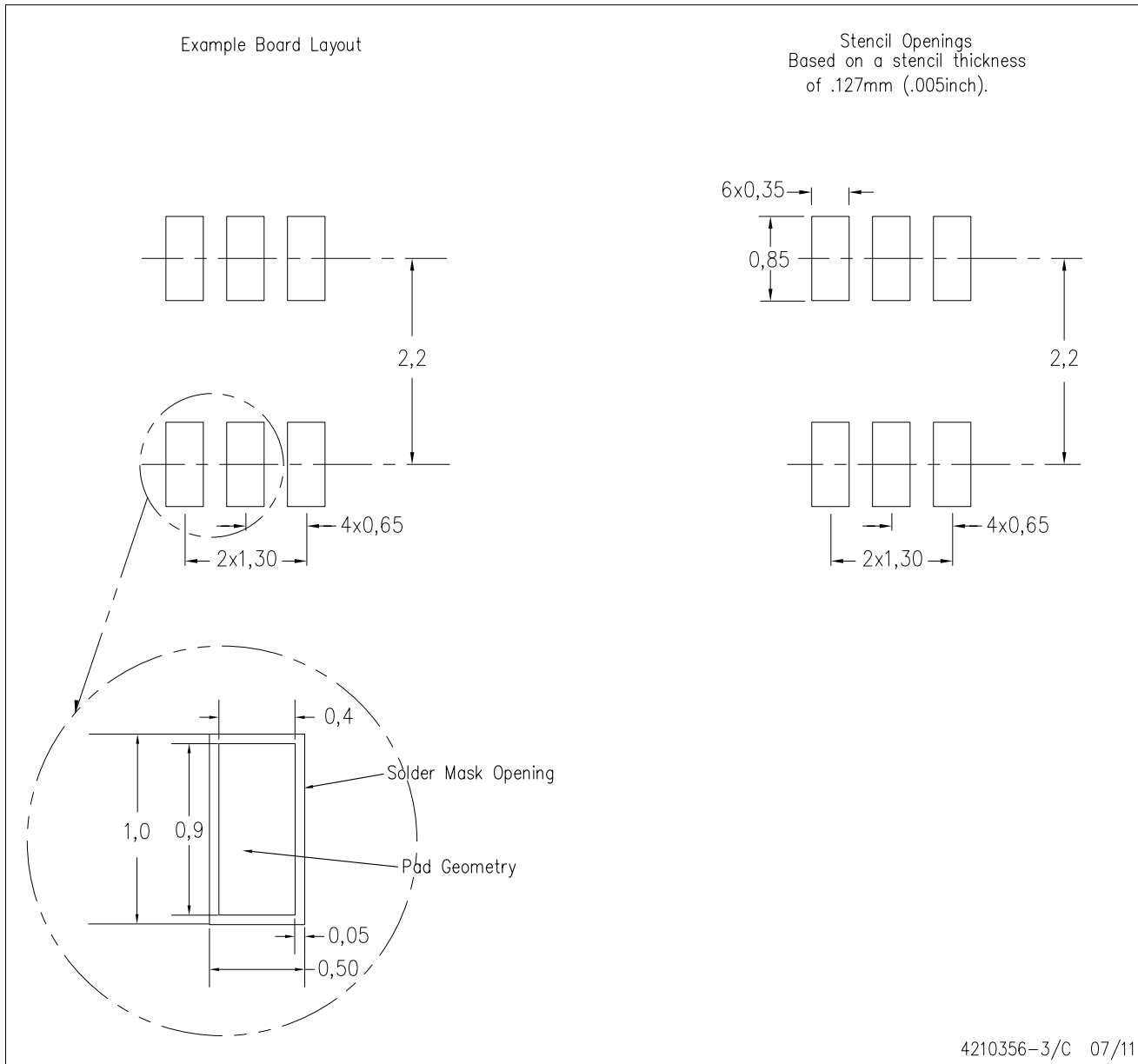
PLASTIC SMALL-OUTLINE PACKAGE



- NOTES:
- A. All linear dimensions are in millimeters.
 - B. This drawing is subject to change without notice.
 - C. Body dimensions do not include mold flash or protrusion. Mold flash and protrusion shall not exceed 0.15 per side.
 - D. Falls within JEDEC MO-203 variation AB.

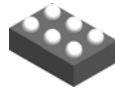
DCK (R-PDSO-G6)

PLASTIC SMALL OUTLINE



- NOTES:
- A. All linear dimensions are in millimeters.
 - B. This drawing is subject to change without notice.
 - C. Customers should place a note on the circuit board fabrication drawing not to alter the center solder mask defined pad.
 - D. Publication IPC-7351 is recommended for alternate designs.
 - E. Laser cutting apertures with trapezoidal walls and also rounding corners will offer better paste release. Customers should contact their board assembly site for stencil design recommendations. Example stencil design based on a 50% volumetric metal load solder paste. Refer to IPC-7525 for other stencil recommendations.

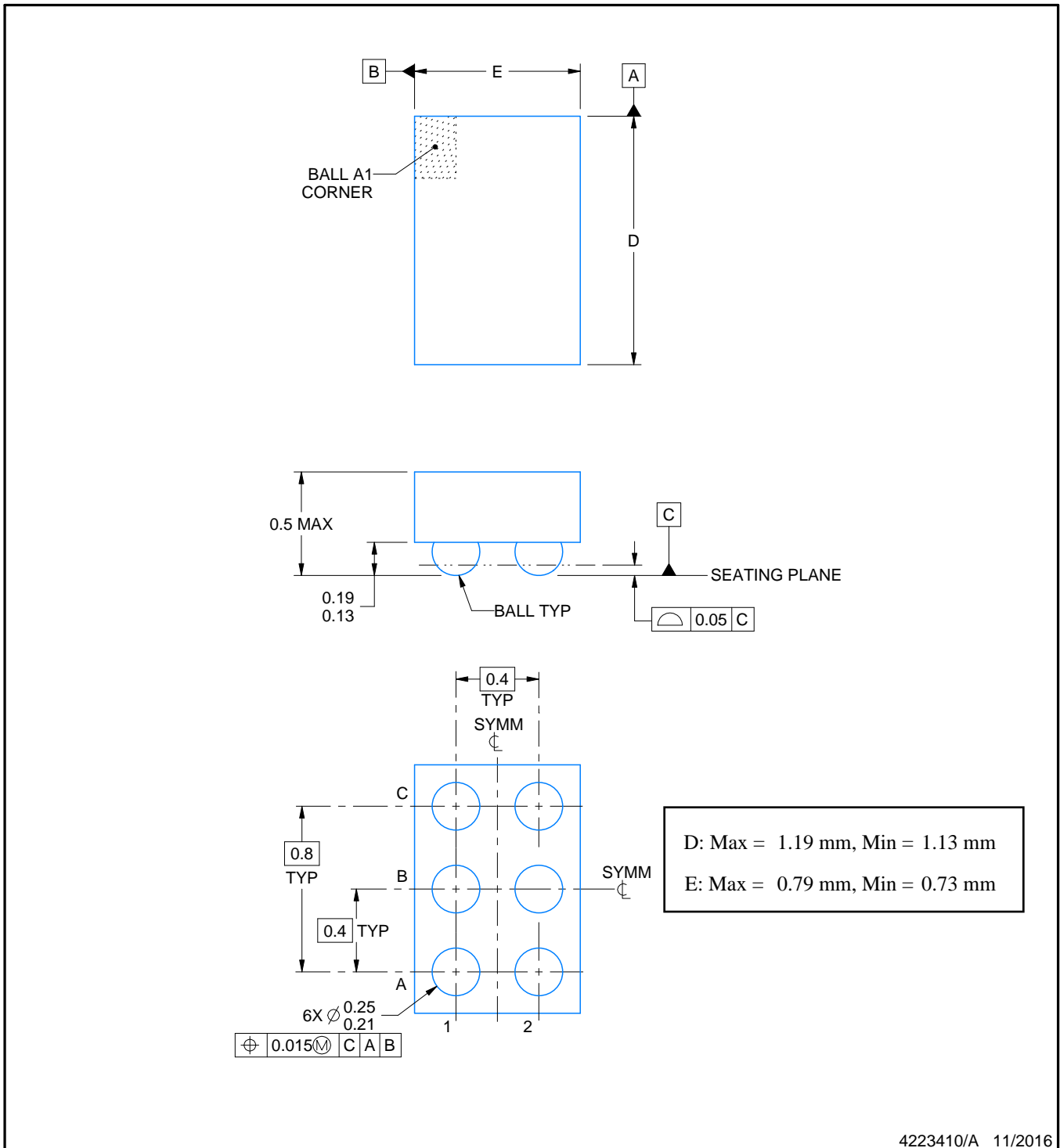
YFP0006



PACKAGE OUTLINE

DSBGA - 0.5 mm max height

DIE SIZE BALL GRID ARRAY



NOTES:

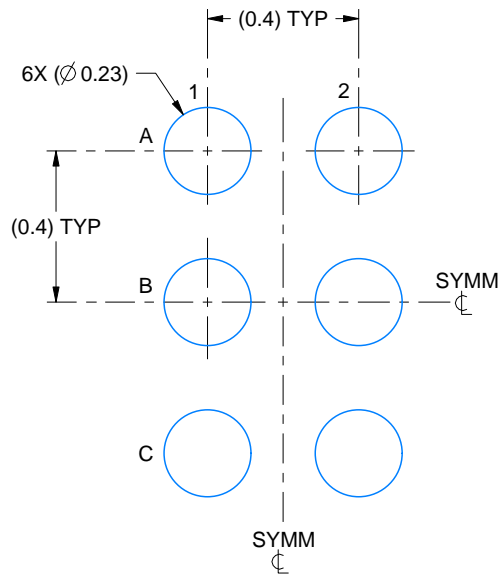
1. All linear dimensions are in millimeters. Any dimensions in parenthesis are for reference only. Dimensioning and tolerancing per ASME Y14.5M.
2. This drawing is subject to change without notice.

EXAMPLE BOARD LAYOUT

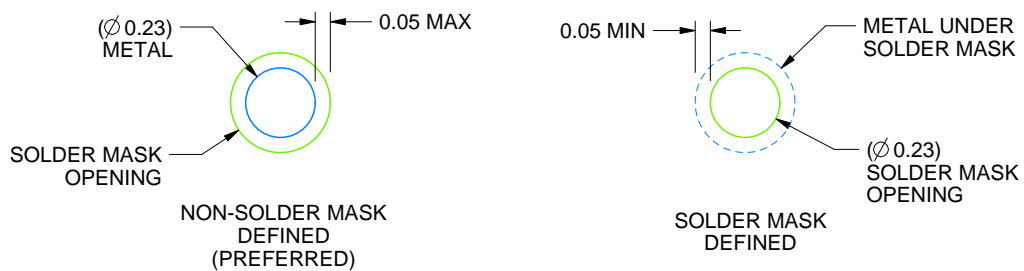
YFP0006

DSBGA - 0.5 mm max height

DIE SIZE BALL GRID ARRAY



LAND PATTERN EXAMPLE
SCALE:50X



SOLDER MASK DETAILS
NOT TO SCALE

4223410/A 11/2016

NOTES: (continued)

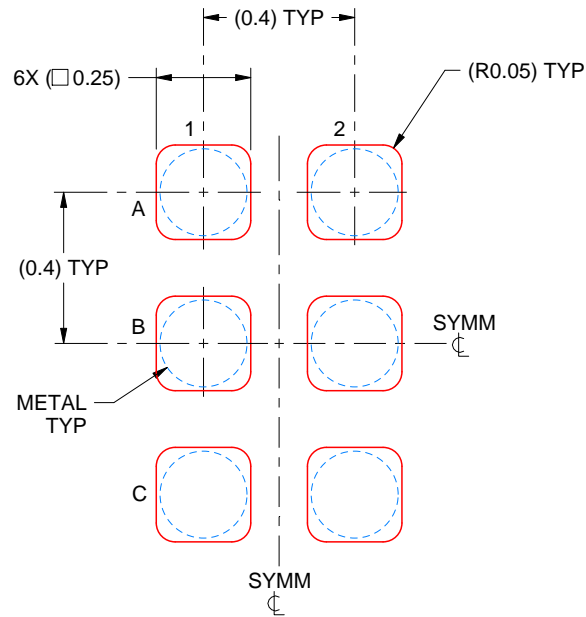
- Final dimensions may vary due to manufacturing tolerance considerations and also routing constraints. For more information, see Texas Instruments literature number SNVA009 (www.ti.com/lit/snva009).

EXAMPLE STENCIL DESIGN

YFP0006

DSBGA - 0.5 mm max height

DIE SIZE BALL GRID ARRAY



SOLDER PASTE EXAMPLE
BASED ON 0.1 mm THICK STENCIL
SCALE:50X

4223410/A 11/2016

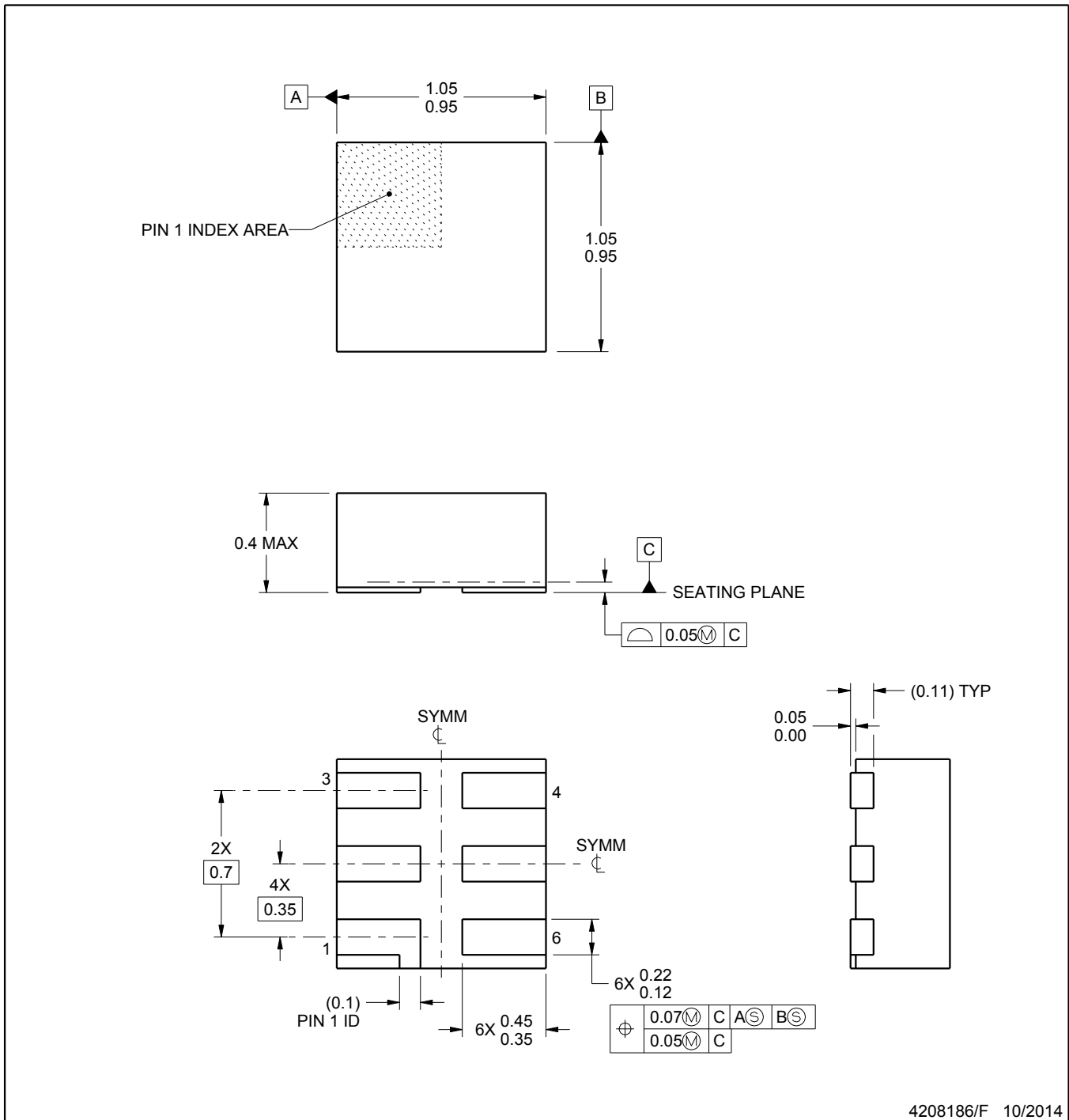
NOTES: (continued)

4. Laser cutting apertures with trapezoidal walls and rounded corners may offer better paste release.

MECHANICAL DATA

DSF (S-PX2SON-N6)

PLASTIC SMALL OUTLINE NO-LEAD

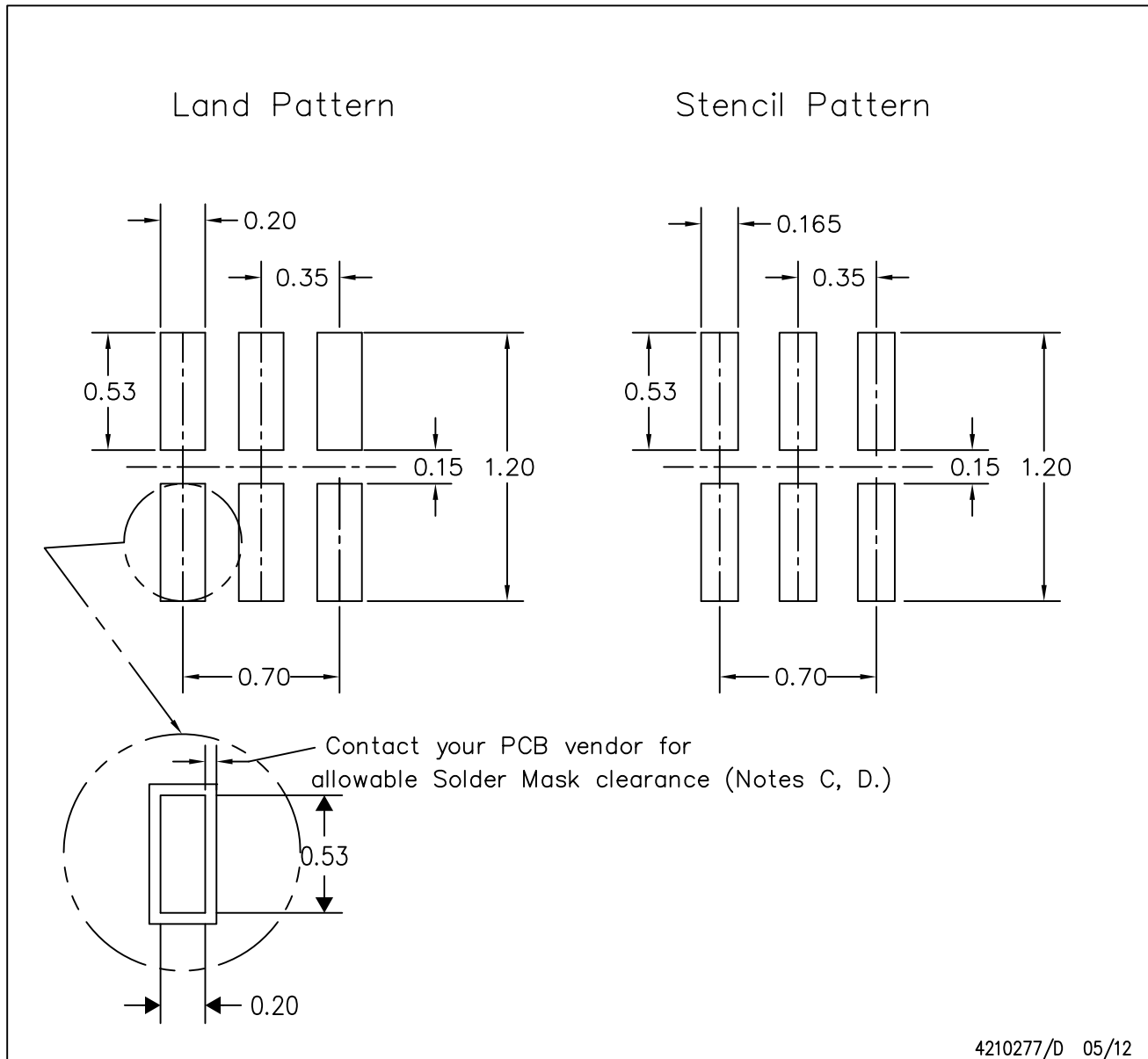


NOTES:

1. All linear dimensions are in millimeters. Any dimensions in parenthesis are for reference only. Dimensioning and tolerancing per ASME Y14.5M.
2. This drawing is subject to change without notice.
3. Reference JEDEC registration MO-287, variation X2AAF.

DSF (S-PX2SON-N6)

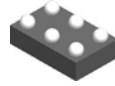
PLASTIC SMALL OUTLINE NO-LEAD



4210277/D 05/12

- NOTES:
- All linear dimensions are in millimeters.
 - This drawing is subject to change without notice.
 - Publication IPC-7351 is recommended for alternate designs.
 - Customers should contact their board fabrication site for minimum solder mask web tolerances between signal pads. If 2 mil solder mask is outside PCB vendor capability, it is advised to omit solder mask.
 - Maximum stencil thickness 0,1016 mm (4 mils). All linear dimensions are in millimeters.
 - Laser cutting apertures with trapezoidal walls and also rounding corners will offer better paste release. Customers should contact their board assembly site for stencil design recommendations. Refer to IPC 7525 for stencil design considerations.
 - Suggest stencils cut with lasers such as Fiber Laser that produce the greatest positional accuracy.
 - Component placement force should be minimized to prevent excessive paste block deformation.

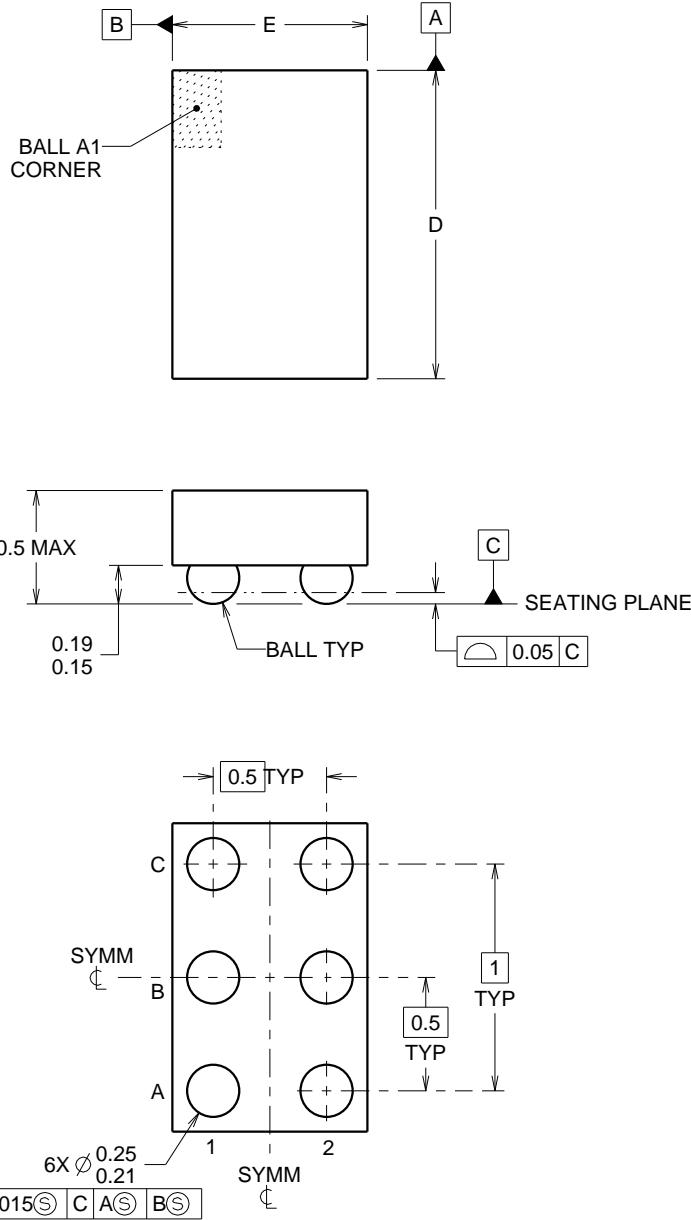
YZP0006



PACKAGE OUTLINE

DSBGA - 0.5 mm max height

DIE SIZE BALL GRID ARRAY



4219524/A 06/2014

NOTES:

NanoFree Is a trademark of Texas Instruments.

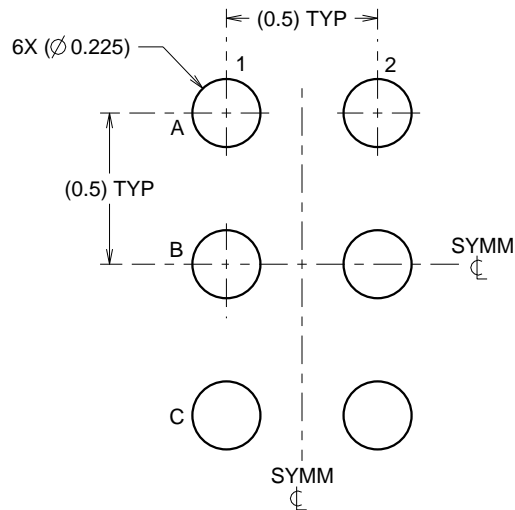
1. All linear dimensions are in millimeters. Any dimensions in parenthesis are for reference only. Dimensioning and tolerancing per ASME Y14.5M.
2. This drawing is subject to change without notice.
3. NanoFree™ package configuration.

EXAMPLE BOARD LAYOUT

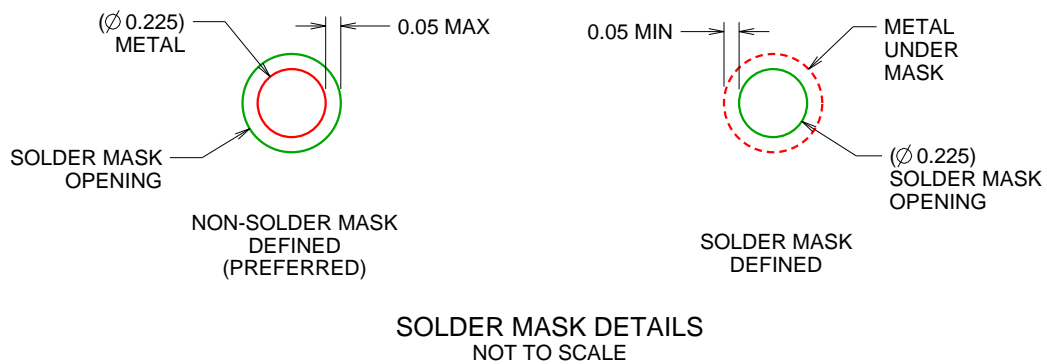
YZP0006

DSBGA - 0.5 mm max height

DIE SIZE BALL GRID ARRAY



LAND PATTERN EXAMPLE
SCALE:40X



SOLDER MASK DETAILS
NOT TO SCALE

4219524/A 06/2014

NOTES: (continued)

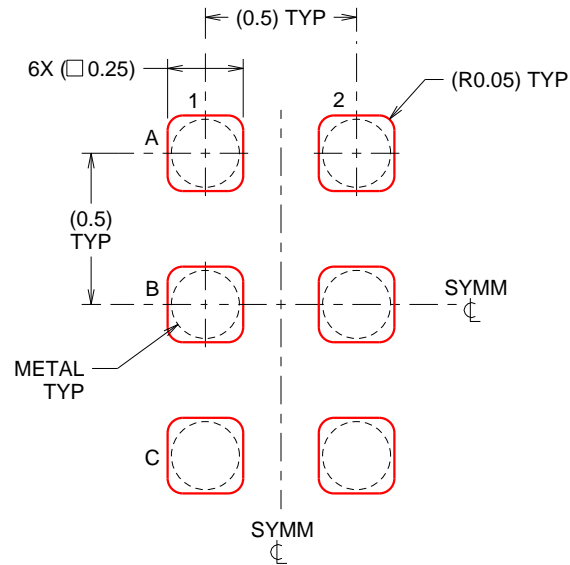
- Final dimensions may vary due to manufacturing tolerance considerations and also routing constraints. For more information, see Texas Instruments literature number SBVA017 (www.ti.com/lit/sbva017).

EXAMPLE STENCIL DESIGN

YZP0006

DSBGA - 0.5 mm max height

DIE SIZE BALL GRID ARRAY



SOLDER PASTE EXAMPLE
BASED ON 0.1 mm THICK STENCIL
SCALE:40X

4219524/A 06/2014

NOTES: (continued)

5. Laser cutting apertures with trapezoidal walls and rounded corners may offer better paste release.

IMPORTANT NOTICE

Texas Instruments Incorporated (TI) reserves the right to make corrections, enhancements, improvements and other changes to its semiconductor products and services per JESD46, latest issue, and to discontinue any product or service per JESD48, latest issue. Buyers should obtain the latest relevant information before placing orders and should verify that such information is current and complete.

TI's published terms of sale for semiconductor products (<http://www.ti.com/sc/docs/stdterms.htm>) apply to the sale of packaged integrated circuit products that TI has qualified and released to market. Additional terms may apply to the use or sale of other types of TI products and services.

Reproduction of significant portions of TI information in TI data sheets is permissible only if reproduction is without alteration and is accompanied by all associated warranties, conditions, limitations, and notices. TI is not responsible or liable for such reproduced documentation. Information of third parties may be subject to additional restrictions. Resale of TI products or services with statements different from or beyond the parameters stated by TI for that product or service voids all express and any implied warranties for the associated TI product or service and is an unfair and deceptive business practice. TI is not responsible or liable for any such statements.

Buyers and others who are developing systems that incorporate TI products (collectively, "Designers") understand and agree that Designers remain responsible for using their independent analysis, evaluation and judgment in designing their applications and that Designers have full and exclusive responsibility to assure the safety of Designers' applications and compliance of their applications (and of all TI products used in or for Designers' applications) with all applicable regulations, laws and other applicable requirements. Designer represents that, with respect to their applications, Designer has all the necessary expertise to create and implement safeguards that (1) anticipate dangerous consequences of failures, (2) monitor failures and their consequences, and (3) lessen the likelihood of failures that might cause harm and take appropriate actions. Designer agrees that prior to using or distributing any applications that include TI products, Designer will thoroughly test such applications and the functionality of such TI products as used in such applications.

TI's provision of technical, application or other design advice, quality characterization, reliability data or other services or information, including, but not limited to, reference designs and materials relating to evaluation modules, (collectively, "TI Resources") are intended to assist designers who are developing applications that incorporate TI products; by downloading, accessing or using TI Resources in any way, Designer (individually or, if Designer is acting on behalf of a company, Designer's company) agrees to use any particular TI Resource solely for this purpose and subject to the terms of this Notice.

TI's provision of TI Resources does not expand or otherwise alter TI's applicable published warranties or warranty disclaimers for TI products, and no additional obligations or liabilities arise from TI providing such TI Resources. TI reserves the right to make corrections, enhancements, improvements and other changes to its TI Resources. TI has not conducted any testing other than that specifically described in the published documentation for a particular TI Resource.

Designer is authorized to use, copy and modify any individual TI Resource only in connection with the development of applications that include the TI product(s) identified in such TI Resource. NO OTHER LICENSE, EXPRESS OR IMPLIED, BY ESTOPPEL OR OTHERWISE TO ANY OTHER TI INTELLECTUAL PROPERTY RIGHT, AND NO LICENSE TO ANY TECHNOLOGY OR INTELLECTUAL PROPERTY RIGHT OF TI OR ANY THIRD PARTY IS GRANTED HEREIN, including but not limited to any patent right, copyright, mask work right, or other intellectual property right relating to any combination, machine, or process in which TI products or services are used. Information regarding or referencing third-party products or services does not constitute a license to use such products or services, or a warranty or endorsement thereof. Use of TI Resources may require a license from a third party under the patents or other intellectual property of the third party, or a license from TI under the patents or other intellectual property of TI.

TI RESOURCES ARE PROVIDED "AS IS" AND WITH ALL FAULTS. TI DISCLAIMS ALL OTHER WARRANTIES OR REPRESENTATIONS, EXPRESS OR IMPLIED, REGARDING RESOURCES OR USE THEREOF, INCLUDING BUT NOT LIMITED TO ACCURACY OR COMPLETENESS, TITLE, ANY EPIDEMIC FAILURE WARRANTY AND ANY IMPLIED WARRANTIES OF MERCHANTABILITY, FITNESS FOR A PARTICULAR PURPOSE, AND NON-INFRINGEMENT OF ANY THIRD PARTY INTELLECTUAL PROPERTY RIGHTS. TI SHALL NOT BE LIABLE FOR AND SHALL NOT DEFEND OR INDEMNIFY DESIGNER AGAINST ANY CLAIM, INCLUDING BUT NOT LIMITED TO ANY INFRINGEMENT CLAIM THAT RELATES TO OR IS BASED ON ANY COMBINATION OF PRODUCTS EVEN IF DESCRIBED IN TI RESOURCES OR OTHERWISE. IN NO EVENT SHALL TI BE LIABLE FOR ANY ACTUAL, DIRECT, SPECIAL, COLLATERAL, INDIRECT, PUNITIVE, INCIDENTAL, CONSEQUENTIAL OR EXEMPLARY DAMAGES IN CONNECTION WITH OR ARISING OUT OF TI RESOURCES OR USE THEREOF, AND REGARDLESS OF WHETHER TI HAS BEEN ADVISED OF THE POSSIBILITY OF SUCH DAMAGES.

Unless TI has explicitly designated an individual product as meeting the requirements of a particular industry standard (e.g., ISO/TS 16949 and ISO 26262), TI is not responsible for any failure to meet such industry standard requirements.

Where TI specifically promotes products as facilitating functional safety or as compliant with industry functional safety standards, such products are intended to help enable customers to design and create their own applications that meet applicable functional safety standards and requirements. Using products in an application does not by itself establish any safety features in the application. Designers must ensure compliance with safety-related requirements and standards applicable to their applications. Designer may not use any TI products in life-critical medical equipment unless authorized officers of the parties have executed a special contract specifically governing such use. Life-critical medical equipment is medical equipment where failure of such equipment would cause serious bodily injury or death (e.g., life support, pacemakers, defibrillators, heart pumps, neurostimulators, and implantables). Such equipment includes, without limitation, all medical devices identified by the U.S. Food and Drug Administration as Class III devices and equivalent classifications outside the U.S.

TI may expressly designate certain products as completing a particular qualification (e.g., Q100, Military Grade, or Enhanced Product). Designers agree that it has the necessary expertise to select the product with the appropriate qualification designation for their applications and that proper product selection is at Designers' own risk. Designers are solely responsible for compliance with all legal and regulatory requirements in connection with such selection.

Designer will fully indemnify TI and its representatives against any damages, costs, losses, and/or liabilities arising out of Designer's non-compliance with the terms and provisions of this Notice.