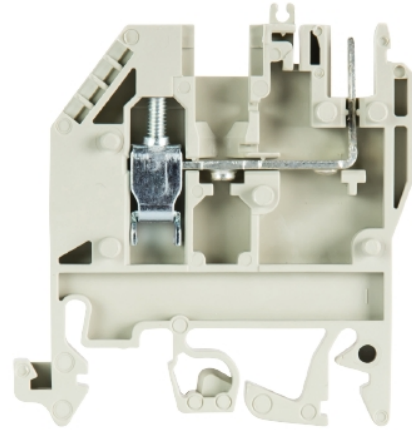


Data sheet

Commercial Art.No.: 57.503.2655.0

Feed-through terminal WK2,5U / 8113S/V... /V0

Plugable terminal block with screw connection for mounting on TS 35 and TS 32, nominal cross section 2.5 mm², width 5 mm, color gray



| | |
|--------------------|---------------|
| Commercial Art.No. | 57.503.2655.0 |
| EAN | 4015573590465 |
| Order Unit | 50 |

Certificates / Approvals



Technical data

General

| | |
|--|--------------------------------|
| Nominal cross section | 2.5 mm ² |
| Color | Grey |
| Number of levels | 1 |
| Number of clamp positions per level | 2 |
| Width/grid dimension | 5 mm |
| Insulating housing | PA666 |
| Inflammability class of insulation material acc. with UL94 | V0 |
| Explosion-tested version "Ex e" | No |
| Mounting method | DIN rail (top hat rail)/G-rail |
| Terminal blocks for electrical installations | yes |

Technical data

| | |
|-----------------------------|---------------|
| Rated current | 12 A |
| Rated voltage | 250 V |
| Rated impulse voltage | 4 kV |
| Pollution degree | 3 |
| Closing plate required | yes |
| Type of insulation material | Thermoplastic |
| Length | 44.5 mm |

Connection Data

| | |
|-------------------|------------------|
| Connection type 1 | screw connection |
|-------------------|------------------|

| | |
|-------------------------------------|---------------------|
| Connection type 2 | screw connection |
| Minimum cross section solid | 0.5 mm ² |
| Maximum cross section solid | 4 mm ² |
| Minimum cross section fine stranded | 0.5 mm ² |
| Maximum cross section fine stranded | 2.5 mm ² |
| Wire strip length | 9 mm |
| Torque conductor mounting | 0.4 Nm |

Technical Data UL/CSA

| | |
|------------------------|-----------|
| Cross section UL | 22-12 AWG |
| Voltage UL | 300 V |
| Current factory wiring | 15 A |
| Current field wiring | 15 A |
| Cross section CSA | 24-12 AWG |
| Voltage CSA | 300 V |
| Current CSA | 15 A |

Classification

| | |
|------------|----------|
| ECLASS 11 | |
| ECLASS 8.1 | 27141120 |
| ETIM 7.0 | EC000897 |
| ETIM 6.0 | EC000897 |
| ETIM 5.0 | EC000897 |
| ETIM 4.0 | EC000897 |
| ETIM 3.0 | EC000897 |

Product compliance

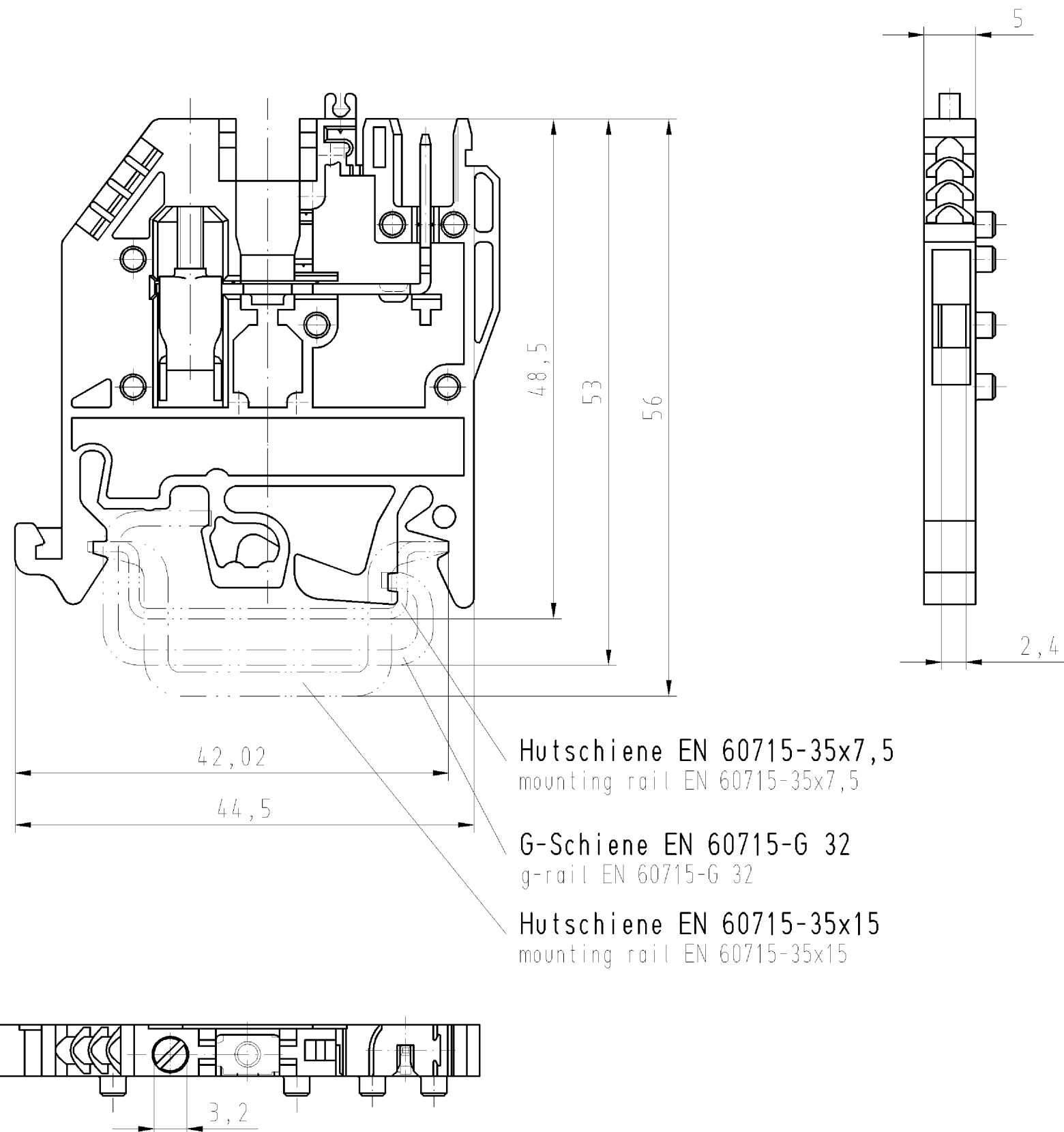
| | |
|------------------------------|-----------|
| ROHS conformity status | Compliant |
| REACH-SVHC conformity status | Compliant |

Accessories

| Commercial Art.No.: | Article-type description: | Description: |
|---------------------|-------------------------------------|--|
| Z7.280.2227.0 | Insulated jumper bar IVBWK 2,5 - 2 | Cross connector, insulated for DIN rail terminal blocks type WK ..., 2 - pole |
| Z7.280.2327.0 | Insulated jumper bar IVBWK 2,5 - 3 | Cross connector, insulated for DIN rail terminal blocks type WK ..., 3 - pole |
| Z7.280.2427.0 | Insulated jumper bar IVBWK 2,5 - 4 | Cross connector, insulated for DIN rail terminal blocks type WK ..., 4 - pole |
| Z7.280.2527.0 | Insulated jumper bar IVBWK 2,5 - 5 | Cross connector, insulated for DIN rail terminal blocks type WK ..., 5 - pole |
| Z7.280.2627.0 | Insulated jumper bar IVBWK 2,5 - 6 | Cross connector, insulated for DIN rail terminal blocks type WK ..., 6 - pole |
| Z7.280.2727.0 | Insulated jumper bar IVBWK 2,5 - 7 | Cross connector, insulated for DIN rail terminal blocks type WK ..., 7 - pole |
| Z7.280.2827.0 | Insulated jumper bar IVBWK 2,5 - 8 | Cross connector, insulated for DIN rail terminal blocks type WK ..., 8 - pole |
| Z7.280.2927.0 | Insulated jumper bar IVBWK 2,5 - 9 | Cross connector, insulated for DIN rail terminal blocks type WK ..., 9 - pole |
| Z7.280.3027.0 | Insulated jumper bar IVBWK 2,5 - 10 | Cross connector, insulated for DIN rail terminal blocks type WK ..., 10 - pole |

| | | |
|---------------|--|--|
| Z7.280.3127.0 | Insulated jumper bar IVBWK 2,5 -11 | Cross connector, insulated for DIN rail terminal blocks type WK ..., 11 - pole |
| Z7.280.3227.0 | Insulated jumper bar IVBWK 2,5 -12 | Cross connector, insulated for DIN rail terminal blocks type WK ..., 12 - pole |
| 98.190.0000.0 | Mounting rail TS 32 UNPERF - l:2000mm | Mounting rail G 32, unslotted, Höhe 5,5 mm, length 2 m, material steel. galv. zinc-plated and dichromated |
| 98.190.1000.0 | Mounting rail TS 32 PERF 15mm - l:2000mm | Mounting rail G 32, slotted, Höhe 15 mm, length 2 m, material steel. galv. zinc-plated and dichromated |
| 98.210.0000.0 | Mounting rail TS 32 UNPERF AL - l:2000mm | Mounting rail G 32, unslotted, Höhe 15 mm, length 2 m, material Aluminium |
| 98.220.0000.0 | Mounting rail TS 32 UNPERF CU - l:2000mm | Mounting rail G 32, unslotted, Höhe 15 mm, length 2 m, material E copper |
| 98.300.0000.0 | Mounting rail TS 35x7,5 UNPERF - l:2000mm | Mounting rail TS 35, unslotted, size 7,5 mm, length 2 m, material steel. galv. zinc-plated and dichromated |
| 98.300.1000.0 | Mounting rail TS 35x7,5 PERF 15mm - l:2000mm | Mounting rail TS 35, slotted, size 7,5 mm, length 2 m, material steel. galv. zinc-plated and dichromated |
| 98.300.1900.0 | Mounting rail TS 35x7,5 PERF 25mm - l:2000mm | Mounting rail TS 35, slotted, size 7,5 mm, length 2 m, material steel. galv. zinc-plated and dichromated |
| 98.360.0000.0 | Mounting rail TS 35x15-2,3 UNPERF - l:2000mm | Mounting rail TS 35, unslotted, size 15 mm, length 2 m, material steel. galv. zinc-plated and dichromated |
| 98.360.0004.0 | Mounting rail TS 35x15-2,3 UNPERF FZN - l:2000mm | Mounting rail TS 35, unslotted, size 15 mm, length 2 m, material steel, hot galvanized |
| 98.370.0000.0 | Mounting rail TS 35x15 UNPERF - l:2000mm | Mounting rail TS 35, unslotted, size 15 mm, length 2 m, material steel. galv. zinc-plated and dichromated |
| 98.370.1000.0 | Mounting rail TS 35x15 PERF 15mm - l:2000mm | Mounting rail TS 35, slotted, size 15 mm, length 2 m, material steel. galv. zinc-plated and dichromated |
| 98.380.0000.0 | Mounting rail TS 35x15-2,3 UNPERF CU - l:2000mm | Mounting rail TS 35, unslotted, size 15 mm, length 2 m, material E copper |
| 07.312.1555.0 | End plate AP 2,5 U/8113 S/V /V0 | End plate for DIN rail terminal blocks type WK 2,5 U/8113 S/V..., color: grey |
| 07.312.1655.0 | Intermediate plate ZP 2,5 U/8113 S/V/V0 | Intermediate for DIN rail terminal blocks type WK 2,5 U/8113 S/V..., color: grey |
| 07.312.4655.0 | End plate AP 2,5 U/8113.. /V0 | End plate for DIN rail terminal blocks type WK 2,5 U/8113..., color: grey |
| 98.300.1800.0 | Mounting rail TS 35x7,5 PERF 18mm - l:2000mm | Mounting rail TS 35, slotted, size 7,5 mm, length 2 m, material steel. galv. zinc-plated and dichromated |

Diese Maße werden bei Abnahme besonders geprüft
 Ausschließlich Prüfmaße
 Mit AE gekennzeichnete Maße sind nur für interne Zwecke gültig



Weitere Daten siehe Katalog
further data see catalog

| | | | | | | | | |
|-------------------|---------------|---|---------------------------|------------|------------------|------------------|--------------|--|
| Freitoleranz nach | | CAD - Zeichnung, keine manuellen Änderungen | | | 1. Verwendung: - | | Bl.: 1 von 1 | |
| | / | Maßstab | Werkstoff und Oberfläche: | | 2003 | Tag | Name | |
| | / | 2:1 | | | Entworfen | 26.05. | Schmitt J. | |
| | / | | | | Geprüft | - | - | |
| | / | Vol. | mm ³ | Ofl. | mm ² | Normgepr. | - | |
| | / | wieland | | WK 2,5 | | Benennung | | |
| | / | | | U/8113 S/V | | DURCHGANGSKLEMME | | |
| Buchstabe | Datum / Blatt | Elektrische Verbindungen | | | | terminal | | |
| Änderung | | | | | | | | |

Weitergabe sowie Vervielfältigung dieses Dokuments, Verwertung und Mitteilung
 seines Inhalts sind verboten, soweit nicht ausdrücklich gestattet.
 The reproduction, distribution and utilization of this document as well as the
 communication of its contents to others without express authorization is prohibited.

1
2
3
4
5
6
7
8
9
10
11
12
13
14
15
16
17
18
19
20
M1
M2
M3
L
G
1.1
2.1
1.1