

Data sheet

Commercial Art.No.: 92.050.3453.0

Distributor GST18i5VK2P1TB V PB02

GST18i5 T-distributor, 5 pole, 1 IN, 2 OUT, cascable, with mounting option on separate mounting plate, coding mains 250 V + not SELV 20 A, coding color pastel blue



Commercial Art.No.	92.050.3453.0
EAN	4049088315947
Order Unit	1

Certificates / Approvals



Technical data

General

Rated current	20 A
Rated voltage	250 V / 400 V
Rated impulse voltage	4 kV
Pollution degree	2
Mechanical coding	Code 2
Lockable	self-locking (unlocking by tool)
Color of coding/ contact carrier	pastel blue
Marking of poles	L, N, PE, D2, D1

Model

Number of inputs	1
Number of outputs	2
Type of fastening	yes
Degree of protection (IP)	IP20
Type of distributor	T-distributor

Material

Housing material	Polyamide
halogen free	yes
Contact material	CuZn
Fire load	0.142 kWh
Insulation components continuous temperature	100 °C
Surface finish	Tin-plated

Dimensions

Length	44 mm
Width	47.7 mm
Height	43 mm

Classification

ECLASS 11	
ECLASS 8.1	27440603
ETIM 7.0	EC002567
ETIM 6.0	EC002567
ETIM 5.0	EC002567
ETIM 4.0	EC002567

Product compliance

ROHS conformity status	Compliant/Exempted
ROHS exceptions	III-6(c)
REACH-SVHC conformity status	Duty-To-Declare
REACH-SVHC substances	Lead
REACH-SVHC CAS numbers	7439-92-1

Accessories

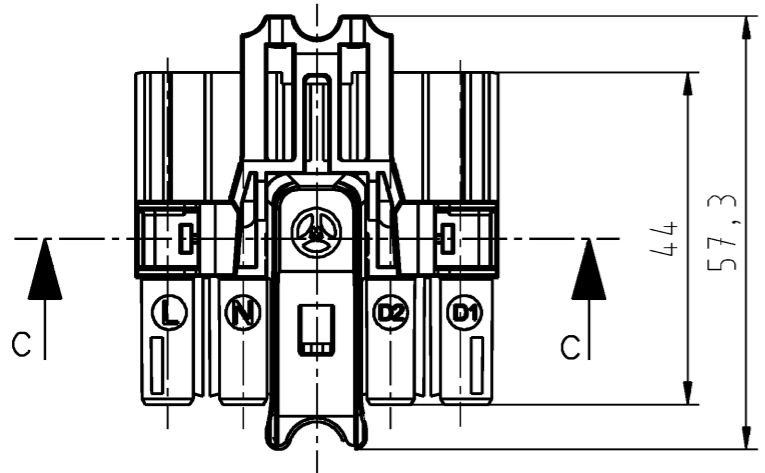
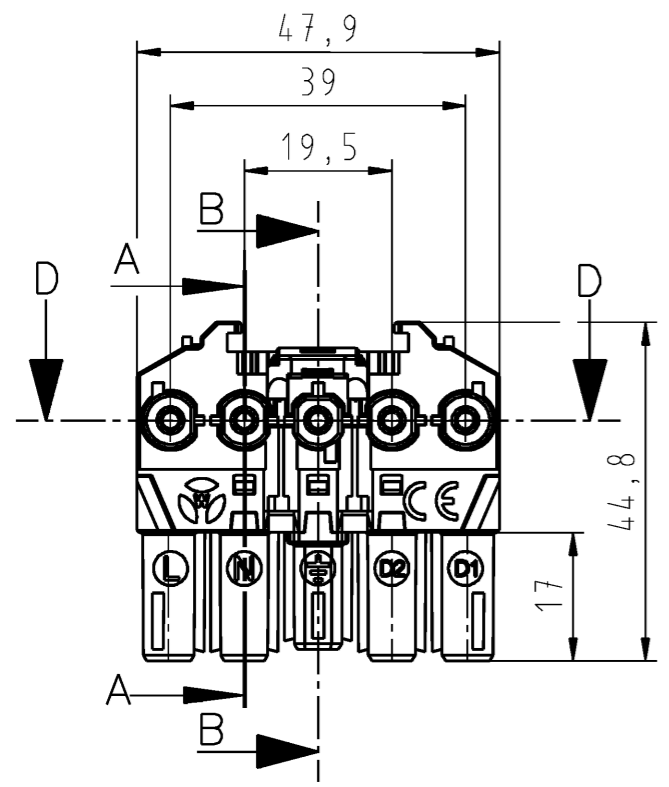
Commercial Art.No.:	Article-type description:	Description:
07.413.6853.1	Supporting plate GST18 VERTEILER SW	geis®-Mounting plate for GST18-distributors. Wall mounting with screws or gas-actuated nailers; fixing on cable trays with moulded expanding rivets; lying distributor mounting
05.588.5753.0	Lock GST18 VERTEILER WS	Locking device for distributor GST18i3-5, retrofit part, white
05.588.5753.1	Locking slide GST18 VERTEILER SW	Locking device for distributor GST18i3-5, retrofit part, black
05.564.5353.0	cover cap GST18i3/4/5 SW	Cover piece 12 pole black for female parts GST18i3-6
05.564.5353.2	cover cap GST18i3/4/5 WS	Cover piece 12 pole white for female parts GST18i3-6
05.566.9253.0	cover cap GST18i5 BUCHSEN	Cover for female connectors GST18i5, black

A Weitergabe sowie Vervielfältigung dieses Dokuments, Verwertung und Mitteilung seines Inhalts sind verboten, soweit nicht ausdrücklich gestattet. The reproduction, distribution and utilization of this document as well as the communication of its contents to others without express authorization is prohibited.

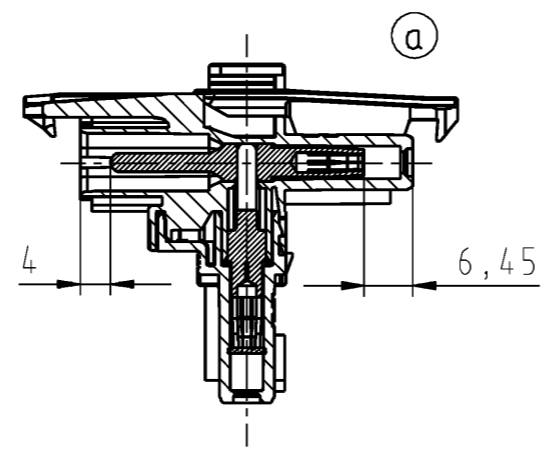
B These dimensions will be especially checked at delivery
 Only inspection dimensions
 With /E gekennzeichnete Maße sind nur für interne Zwecke gültig.

C Diese Maße werden bei Abnahme besonders geprüft
 Ausschließlich Prüfmaße
 Mit /E gekennzeichnete Maße sind nur für interne Zwecke gültig.

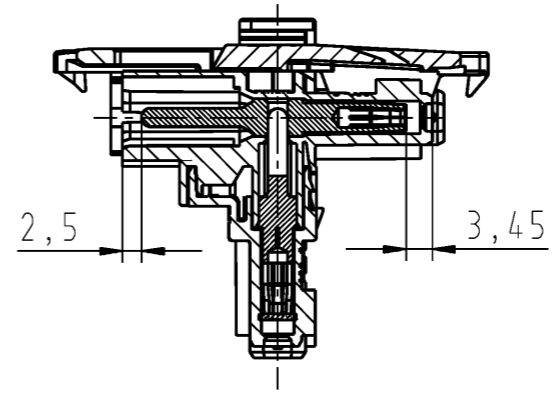
F



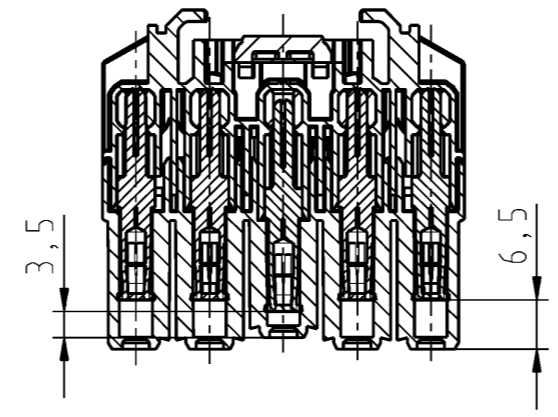
A-A



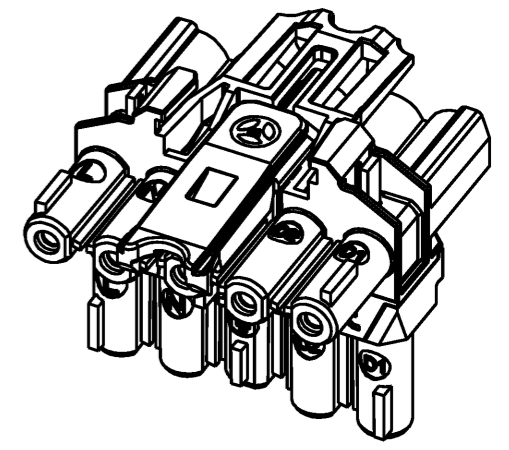
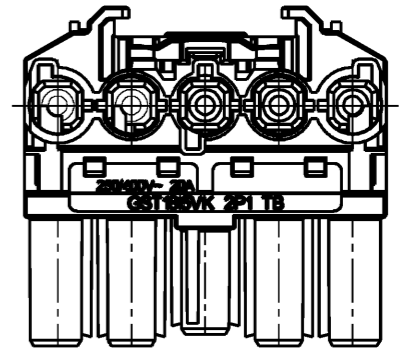
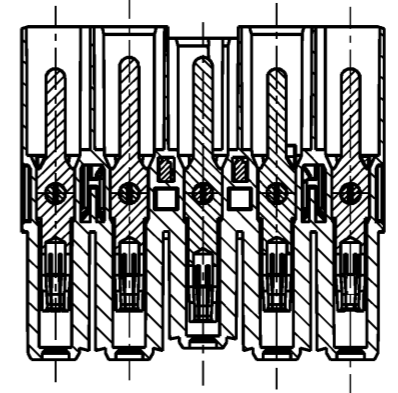
B-B



C-C



D-D



Weitergabe sowie Vervielfältigung dieses Dokuments, Verwertung und Mitteilung seines Inhalts sind verboten, soweit nicht ausdrücklich gestattet. The reproduction, distribution and utilization of this document as well as the communication of its contents to others without express authorization is prohibited.

Tolerierung Size ISO 14405 © / Tolerance system Size ISO 14405 ©. (This ISO-standard describes the envelope principle. According to the envelope principle the deviations of form and parallelism are limited by the size tolerances).		ja/yes <input checked="" type="checkbox"/> Stoffverbots- und Deklarationsliste nach WN 5020.010 ist einzuhalten. Conformity with Wieland document WN 5020.010 e (list of prohibited / declarable hazardous substances) to be declared!	
Freitoleranz nach General tolerance	CAD - Zeichnung, keine manuellen Änderungen CAD - drawing, no manual modifications allowed	1. Verwendung: First Use:	Blatt: Sheet: 1 von 1 of 1
/	Werkstoff / Material Farbe/colour: pastellblau/pastel blue	gezeichnet drawn: 08.09.2017 geprüft checked Normgepr. Stand. check	Name Hoffmann
/	Maßstab / Scale 1:1	Zeichnung Nr. / Drawing No. 92.050.3453.0 01K -	
/	Vol. mm ³ Dfl./Srf. mm ²	Maße in mm / Dimensions are in mm	
/	Ersatz für / Replacement for:		
/	Type	Benennung/Title Verteiler T PB	
/	distributor_T		
Index Änderung / Revision	Datum / Blatt Date / Sheet	www.wieland-electric.com	

Type: GST18I5VK2P1TB V PB02