

## Data sheet

Commercial Art.No.: 25.840.3453.0

PCB connector 8213 BFK / 4 TOP OB

PCB female connector with tension spring connection, 4 poles, max. cross section: 2.5 mm<sup>2</sup>, pitch: 5.08 mm, type of packing: carton, color: grey



Commercial Art.No.	25.840.3453.0
EAN	4015573562585
Order Unit	50

Certificates / Approvals



## Technical data

### General

Modular spacing	5.08 mm
Connection type	spring clamp connection
Soldering process	None
Packaging	Carton
Number of poles	4
Marking	No
Fastening	None
Mating direction towards connector	180°

### Technical data

Nominal cross section	2.5 mm <sup>2</sup>
Rated current	12 A
Overvoltage Category I	1000 V
Overvoltage Category II	400 V
Overvoltage Category III	250 V
Rated impulse voltage	4 kV
Wire strip length	11 mm

### Connection Data

Minimum cross section solid	0.14 mm <sup>2</sup>
Maximum cross section solid	2.5 mm <sup>2</sup>
Minimum cross section fine stranded	0.14 mm <sup>2</sup>
Maximum cross section fine stranded	2.5 mm <sup>2</sup>
Wire strip length	11 mm

### Technical Data UL/CSA

Cross section UL	22-12 AWG
------------------	-----------

Voltage UL	300 V
Current field wiring	12 A
Current factory wiring	12 A
Cross section CSA	22-16 AWG
Voltage CSA	300 V
Current CSA	12 A

#### Other

Type of insulation material	Thermoplastic
Color	Grey
Height	15 mm
Length	20.32 mm
Depth	24.3 mm
Material attachment screw	None
Material contact base	Steel
Material contact surface	Sn

#### Classification

ECLASS 11	
ECLASS 8.1	27440402
ETIM 7.0	EC002637
ETIM 6.0	EC002637
ETIM 5.0	EC002637
ETIM 4.0	EC002637

#### Product compliance

ROHS conformity status	Compliant
REACH-SVHC conformity status	Compliant

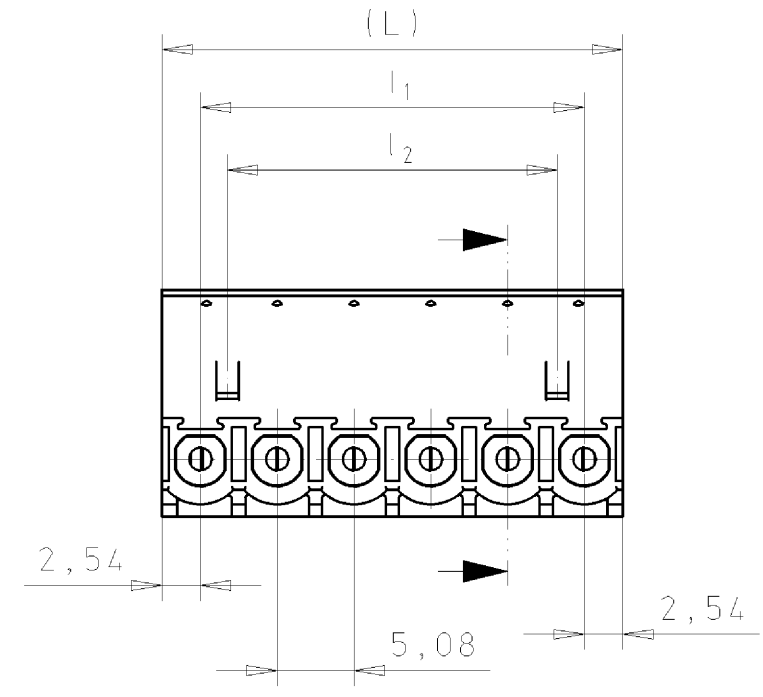
#### Fits with

Commercial Art.No.:	Article-type description:	Description:
25.857.3453.0	PCB pin header 8213 SUFK / 4 TOP OB	PCB pin header with tension spring connection, 4 poles, max. cross section: 2.5 mm <sup>2</sup> , pitch: 5.08 mm, type of packing: carton, color: grey
25.857.0453.0	PCB pin header 8213 SUFK / 4 TOP	PCB pin header with tension spring connection, 4 poles, printed version, max. cross section: 2.5 mm <sup>2</sup> , pitch: 5.08 mm, type of packing: carton, color: grey
25.352.3453.0	PCB pin header 8213 S / 4 W OB	PCB pin header, connection method depends on used socket part , 4 poles, pitch: 5.08 mm, type of packing: carton, color: grey
25.350.3453.0	PCB pin header 8213 S / 4 G OB	PCB pin header, connection method depends on used socket part , 4 poles, pitch: 5.08 mm, type of packing: carton, color: grey
99.204.9996.2	PCB pin header 8213 S / 4 W OB OF	PCB pin header, connection method depends on used socket part , 4 poles, pitch: 5.08 mm, type of packing: carton, color: white
99.234.9996.1	PCB pin header 8213 S / 4 G OB OF	PCB pin header, connection method depends on used socket part , 4 poles, pitch: 5.08 mm, type of packing: carton, color: black
25.396.3453.0	PCB pin header 8213 S / 4 S OB	PCB pin header, connection method depends on used socket part , 4 poles, pitch: 5.08 mm, type of packing: carton, color: grey
27.356.0453.0	PCB pin header 8213 SEG/ 4/ 8 W OB	PCB pin header, 4 poles, pitch: 5.08 mm, type of packing: carton, color: grey

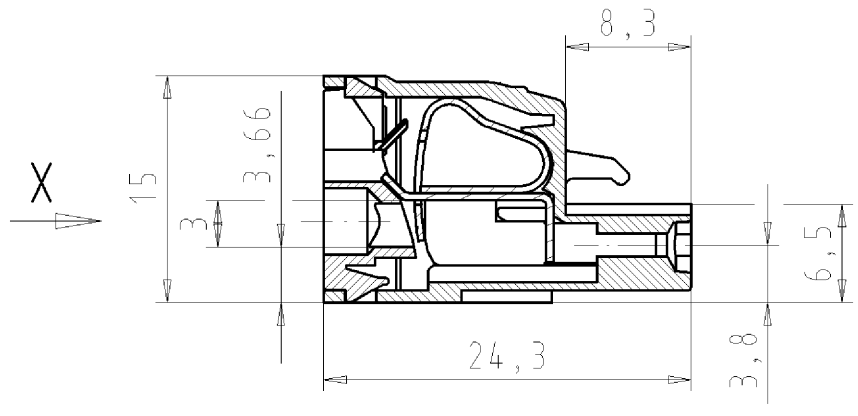
26.350.3406.0	PCB pin header 8213 S / 4 G OF OB THR	PCB pin header, connection method depends on used socket part , 4 poles, with solder pin (2.6mm, tin plated), pitch: 5.08 mm, type of packing: carton, color: black, This product can be soldered by reflow and wave soldering,
25.350.3406.0	PCB pin header 8213 S / 4 G OB THR	PCB pin header, connection method depends on used socket part , 4 poles, with solder pin (2.6mm, tin plated), pitch: 5.08 mm, type of packing: carton, color: black, This product can be soldered by reflow and wave soldering,
25.352.3406.0	PCB pin header 8213 S / 4 W OB THR	PCB pin header, connection method depends on used socket part , 4 poles, with solder pin (2.6mm, tin plated), pitch: 5.08 mm, type of packing: carton, color: black, This product can be soldered by reflow and wave soldering,

These dimensions will be especially checked at delivery  
Only inspection dimensions  
With /E marked dimensions are only valid for internal use

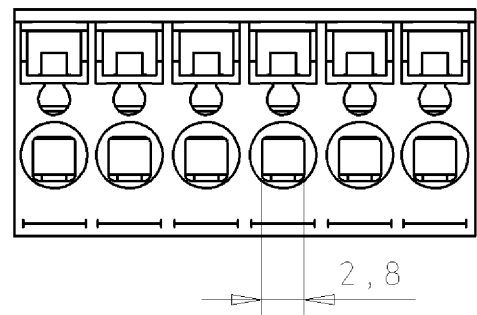
Diese Maße werden bei Abnahme besonders geprüft  
Ausschließlich Prüfmaße  
Mit /E gekennzeichnete Maße sind nur für interne Zwecke gültig



gezeichnete Ausführung: 6-polig  
drawn version: 6-poles



Ansicht "X"  
view "X"



Teile - Nr. part - no.	Polzahl pole	(L)	l <sub>1</sub>	l <sub>2</sub>	Typ type
25.840.3253.F	2	10,16	5,08	-	8213 BFK/ 2 TOP K OB
25.840.3353.F	3	15,24	10,16	6,58	8213 BFK/ 3 TOP K OB
25.840.3453.F	4	20,32	15,24	11,66	8213 BFK/ 4 TOP K OB
25.840.3553.F	5	25,40	20,32	16,74	8213 BFK/ 5 TOP K OB
25.840.3653.F	6	30,48	25,40	21,82	8213 BFK/ 6 TOP K OB
25.840.3753.F	7	35,56	30,48	26,90	8213 BFK/ 7 TOP K OB
25.840.3853.F	8	40,64	35,56	31,98	8213 BFK/ 8 TOP K OB
25.840.3953.F	9	45,72	40,64	37,06	8213 BFK/ 9 TOP K OB
25.840.4053.F	10	50,80	45,72	42,14	8213 BFK/10 TOP K OB
25.840.4153.F	11	55,88	50,80	47,22	8213 BFK/11 TOP K OB
25.840.4253.F	12	60,96	55,88	52,30	8213 BFK/12 TOP K OB
25.840.4353.F	13	66,04	60,96	57,38	8213 BFK/13 TOP K OB
25.840.4453.F	14	71,12	66,04	62,46	8213 BFK/14 TOP K OB
25.840.4553.F	15	76,20	71,12	67,54	8213 BFK/15 TOP K OB
25.840.4653.F	16	81,28	76,20	72,62	8213 BFK/16 TOP K OB
25.840.4753.F	17	86,36	81,28	77,70	8213 BFK/17 TOP K OB
25.840.4853.F	18	91,44	86,36	82,78	8213 BFK/18 TOP K OB
25.840.4953.F	19	96,52	91,44	87,86	8213 BFK/19 TOP K OB
25.840.5053.F	20	101,60	96,52	92,94	8213 BFK/20 TOP K OB
25.840.5153.F	21	106,68	101,60	98,02	8213 BFK/21 TOP K OB
25.840.5253.F	22	111,76	106,68	103,10	8213 BFK/22 TOP K OB
25.840.5353.F	23	116,84	111,76	108,18	8213 BFK/23 TOP K OB
25.840.5453.F	24	121,92	116,84	113,26	8213 BFK/24 TOP K OB

.F	Farbe: colour:
.0	grau/grey Bedruckung: schwarz printing: black
.7	grün/green Bedruckung: schwarz printing: black

Weitere Daten siehe Katalog  
further data see catalog

Tolerierung nach DIN 7167/Tolerance system acc. to DIN 7167. [This DIN-standard describes the envelope principle. According to the envelope principle the deviations of form and parallelism are limited by the size tolerances].		ja/yes <input checked="" type="checkbox"/> Stoffverbots- und Deklarationsliste nach UU-TQM-05/03 ist einzuhalten. Conformity with Wieland document UU-TQM-05/03 (list of prohibited / declarable hazardous substances) to be declared!	
Freitoleranz nach General tolerance	CAD - Zeichnung, keine manuellen Änderungen CAD - drawing, no manual modifications allowed	1. Verwendung: First Use:	Blatt: 1 von 1 Sheet: of 1
	Werkstoff/Material	2008 gezeichnet drawn 02.12.	Name Schmitt J.
	Maßstab/Scale 2:1	geprüft checked -	T 25.840.3253.0 01K
	Vol. mm <sup>3</sup> Ofl./Surf. mm <sup>2</sup>	Normgepr. Stand. check -	Index
Ersatz für/Replacement for: -		Maße in mm/Dimensions are in mm	
wieland Elektrische Verbindungen		Type	Benennung/Title PCB terminal LP_STECKKLEMME
Index Datum / Blatt Date / Sheet		mit Federkraftanschluß, Rastermaß 5,08mm with spring clamp connection, pitch 5,08mm	
Änderung/Revision			

Weitergabe sowie Vervielfältigung dieses Dokuments, Verwertung und Mitteilung seines Inhalts sind verboten, soweit nicht ausdrücklich gestattet.  
The reproduction, distribution and utilization of this document as well as the communication of its contents to others without express authorization is prohibited.

258403253001K\_4\_CADW1042\_Schmitt\_2008-12-02T12:22:33 1.000