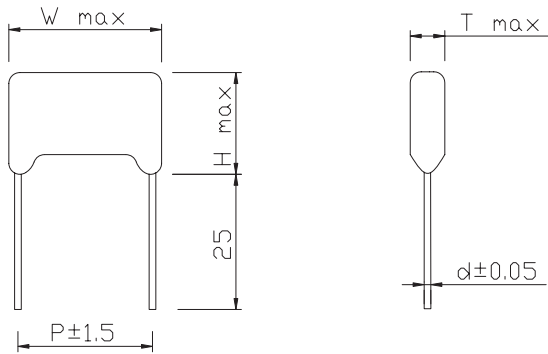


Film Capacitors Series

High Voltage Metallized Polypropylene Film Capacitor Type: CBB81



X

Construction

Dielectric	Polypropylene Film
Electrodes	Aluminum Metallization & Aluminum Foils
Winding	Non-inductive type & internally connected series
Leads	Tinned Wire
Outer coating	Flame retarding epoxy resin

Features

Metallized polypropylene and metal foil winding, small size, high reliability, can withstand large current and high frequency
 Very low loss, small inherent temperature rise
 High insulation resistance
 Negative temperature coefficient of capacitance
 Flame retardant epoxy resin coating
 Suitable for high voltage and pulse circuits in the horizontal resonance circuits of color TVs

Specifications

Reference Standard:	GB/T14579 (IEC60384-17)
Rated Voltage:	1000Vdc, 1200Vdc, 1600Vdc, 2000Vdc
Rated temperature:	+85°C
Operating Temperature Range:	-40°C~+85°C
Capacitance Range:	0.001μF~0.1μF
Capacitance Tolerance :	±2%(G); ±5%(J); ±10%(K);
Dissipation Factor:	0.1% Max (25°C, 1KHz)
Insulation Resistance:	R≥25000MΩ, C _R ≤1.0μF (20°C, 1min)
Voltage Proof:	1.75U _R (5s)

ORDER INFORMATION

Product No.:	KLS10 - CBB81 - XXX	X	XX - P10		
Pos.No.	Product Name:	CAPACITANCE	TOL.	Rated Voltage	Pitch
	Metallized Polypropylene Film Capacitor	IN 3DIGITS	K= ± 10%	1000=1000VDC	P10=10mm
		332=0.0033uF	J= ± 5%	2000=2000VDC	P15=15mm
		104= 0.1uF			
		474= 0.47uF			
		105= 1uF			

Film Capacitors Series

High Voltage Metallized Polypropylene Film Capacitor Type: CBB81

Cap. (uF)

Size unit:m/m

R. V.	1000VDC					1200VDC					1600VDC					2000VDC					
	Size	W	H	T	P	d	W	H	T	P	d	W	H	T	P	d	W	H	T	P	d
Cap.	±1	±1	±1	±1.5	±0.05	±1	±1	±1	±1.5	±0.05	±1	±1	±1	±1.5	±0.05	±1	±1	±1	±1.5	±0.05	
0.001											19	10	5	15	0.8	24	11	6	20	0.8	
0.0012											19	11	5	15	0.8	24	12	6	20	0.8	
0.0015											19	11	6	15	0.8	24	13	7	20	0.8	
0.0018											19	12	6	15	0.8	24	13	8	20	0.8	
0.0022						19	12	6	15	0.8	19	12	6	15	0.8	24	14	8	20	0.8	
0.0027						19	12	6	15	0.8	19	13	7	15	0.8	24	15	8	20	0.8	
0.0033						19	13	7	15	0.8	19	13	8	15	0.8	24	16	9	20	0.8	
0.0039						19	13	8	15	0.8	19	14	8	15	0.8	24	17	10	20	0.8	
0.0047						19	14	8	15	0.8	19	15	9	15	0.8	24	18	11	20	0.8	
0.0056	19	12	6	15	0.8	19	15	9	15	0.8	19	16	10	15	0.8	24	19	12	20	0.8	
0.0068	19	13	7	15	0.8	19	16	10	15	0.8	19	17	11	15	0.8	24	20	13	20	0.8	
0.0082	19	13	8	15	0.8	24	15	8	20	0.8	24	16	9	20	0.8	24	22	14	20	0.8	
0.01	19	14	8	15	0.8	24	16	9	20	0.8	24	17	10	20	0.8	24	23	16	20	0.8	
0.012	19	15	9	15	0.8	24	17	10	20	0.8	24	18	11	20	0.8	26	22	15	23	0.8	
0.015	18	16	10	15	0.8	24	18	11	20	0.8	24	19	12	20	0.8	26	24	17	23	0.8	
0.018	24	16	9	20	0.8	24	19	12	20	0.8	24	20	13	20	0.8						
0.022	24	17	10	20	0.8	24	20	13	20	0.8	24	22	15	20	0.8						
0.027	24	18	11	20	0.8																
0.033	24	19	12	20	0.8																
0.039	24	20	13	20	0.8																

- The above dimensions are for reference only. The final dimensions are subject to our specifications.

ORDER INFORMATION

Product No.: KLS10 - CBB81 - XXX X XX - P10

Pos.No.	Product Name:	CAPACITANCE	TOL.	Rated Voltage	Pitch
	Metallized	IN 3DIGITS	K= ± 10%	1000=1000VDC	P10=10mm
	Polypropylene	332=0.0033uF	J= ± 5%	2000=2000VDC	P15=15mm
	Film	104= 0.1uF			
	Capacitor	474= 0.47uF			
		105= 1uF			