

Data sheet

Commercial Art.No.: 57.110.0555.0

Measuring-disconnecting terminal 9760 U / 8 TK /V0

Current transformer disconnect terminal blocks with screw connection for mounting on TS 35 and TS 32, nominal cross section 10 mm² width 8 mm, color gray



Commercial Art.No.	57.110.0555.0
EAN	4015573581708
Order Unit	50

Certificates / Approvals



Technical data

General

Nominal cross section	10 mm ²
Color	Grey
Number of levels	1
Number of clamp positions per level	2
Width/grid dimension	8 mm
Insulating housing	PA666
Inflammability class of insulation material acc. with UL94	V0
Mounting method	DIN rail (top hat rail)/G-rail
Terminal blocks for electrical installations	No

Technical data

Rated current	24 A
Rated voltage	800 V
Rated impulse voltage	8 kV
Pollution degree	3
Closing plate required	Yes
Type of insulation material	Thermoplastic
Length	71 mm

Connection Data

Connection type 1	Screw connection
Connection type 2	Screw connection
Minimum cross section solid	0.5 mm ²
Maximum cross section solid	10 mm ²
Minimum cross section fine stranded	0.5 mm ²
Maximum cross section fine stranded	10 mm ²
Wire strip length	9 mm
Torque conductor mounting	1.2 Nm

Technical Data UL/CSA

Cross section CSA	18-8 AWG
-------------------	----------

Voltage CSA	600 V
Current CSA	25 A

Note

Integrated test socket	No
------------------------	----

Classification

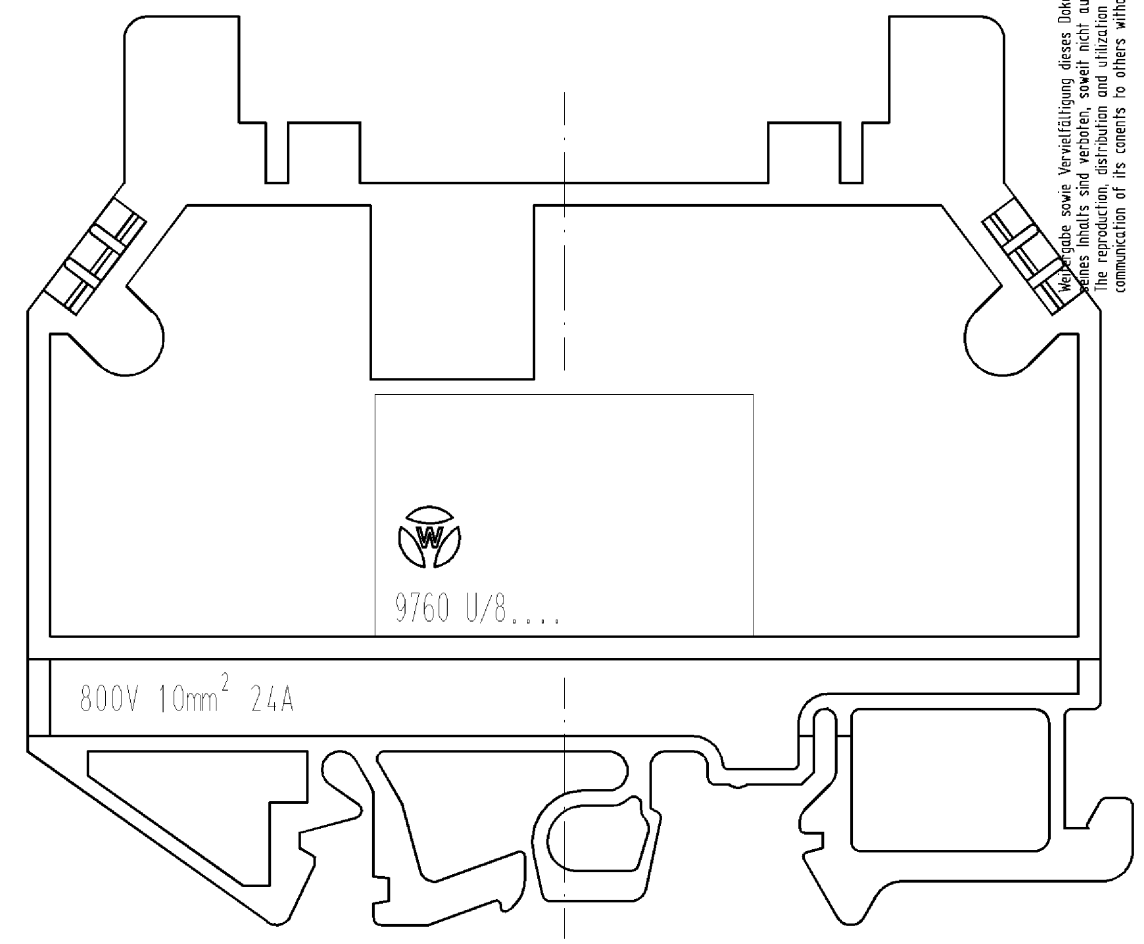
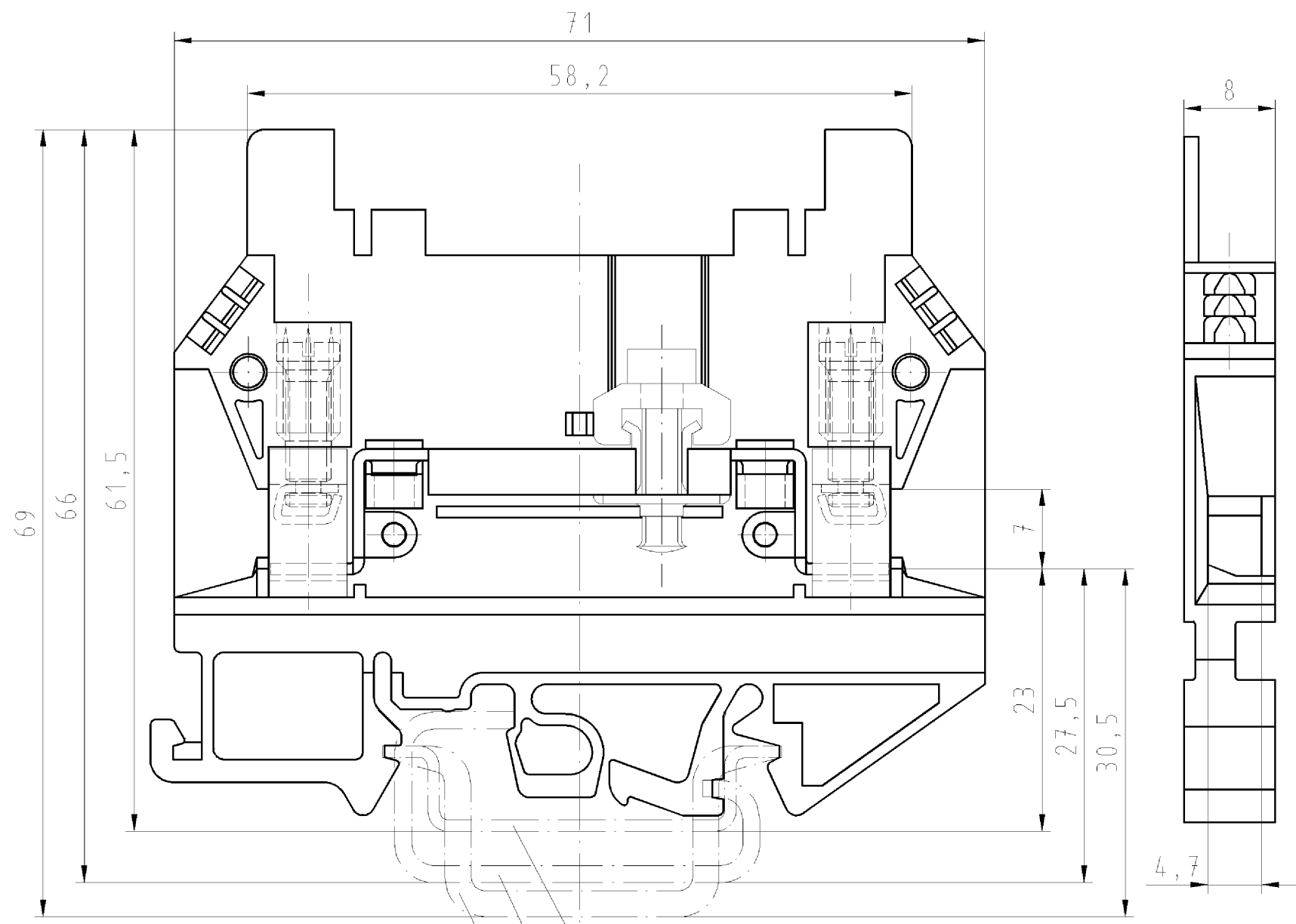
ECLASS 8.1	27141126
ETIM 7.0	EC000902
ETIM 6.0	EC000902
ETIM 5.0	EC000902
ETIM 4.0	EC000902
ETIM 3.0	EC000902

Accessories

Commercial Art.No.:	Article-type description:	Description:
Z7.212.0227.0	Jumper bar 9703 / 8- 2	Cross connector for DIN rail terminal blocks type 9700 A ..., 2 -pole
Z7.212.0327.0	Jumper bar 9703 / 8- 3	Cross connector for DIN rail terminal blocks type 9700 A ..., 3 -pole
Z7.212.0427.0	Jumper bar 9703 / 8- 4	Cross connector for DIN rail terminal blocks type 9700 A ..., 4 -pole
Z7.212.0527.0	Jumper bar 9703 / 8- 5	Cross connector for DIN rail terminal blocks type 9700 A ..., 5 -pole
Z7.212.0627.0	Jumper bar 9703 / 8- 6	Cross connector for DIN rail terminal blocks type 9700 A ..., 6 -pole
98.190.0000.0	Mounting rail TS 32 UNPERF - l:2000mm	Mounting rail G 32, unslotted, Höhe 5,5 mm, length 2 m, material steel. galv. zinc-plated and dichromated
98.190.1000.0	Mounting rail TS 32 PERF 15mm - l:2000mm	Mounting rail G 32, slotted, Höhe 15 mm, length 2 m, material steel. galv. zinc-plated and dichromated
98.210.0000.0	Mounting rail TS 32 UNPERF AL - l:2000mm	Mounting rail G 32, unslotted, Höhe 15 mm, length 2 m, material Aluminium
98.220.0000.0	Mounting rail TS 32 UNPERF CU - l:2000mm	Mounting rail G 32, unslotted, Höhe 15 mm, length 2 m, material E copper
98.300.0000.0	Mounting rail TS 35x7,5 UNPERF - l:2000mm	Mounting rail TS 35, unslotted, size 7,5 mm, length 2 m, material steel. galv. zinc-plated and dichromated
98.300.1000.0	Mounting rail TS 35x7,5 PERF 15mm - l:2000mm	Mounting rail TS 35, slotted, size 7,5 mm, length 2 m, material steel. galv. zinc-plated and dichromated
98.300.1900.0	Mounting rail TS 35x7,5 PERF 25mm - l:2000mm	Mounting rail TS 35, slotted, size 7,5 mm, length 2 m, material steel. galv. zinc-plated and dichromated
98.360.0000.0	Mounting rail TS 35x15-2,3 UNPERF - l:2000mm	Mounting rail TS 35, unslotted, size 15 mm, length 2 m, material steel. galv. zinc-plated and dichromated
98.370.0000.0	Mounting rail TS 35x15 UNPERF - l:2000mm	Mounting rail TS 35, unslotted, size 15 mm, length 2 m, material steel. galv. zinc-plated and dichromated
98.370.1000.0	Mounting rail TS 35x15 PERF 15mm - l:2000mm	Mounting rail TS 35, slotted, size 15 mm, length 2 m, material steel. galv. zinc-plated and dichromated
98.380.0000.0	Mounting rail TS 35x15-2,3 UNPERF CU - l:2000mm	Mounting rail TS 35, unslotted, size 15 mm, length 2 m, material E copper
05.509.3021.0	Screw Socker 9011 E	Schraubbuchse for DIN rail terminal blocks type 9760 ...
05.509.3121.0	Female plug 9011 F	Test socket for Test plug 4 mm for DIN rail terminal blocks type
07.310.6055.0	End plate 9761 U / 8 /V0	End plate for DIN rail terminal blocks type 9760 U / 6..., color: grey
Z5.522.7453.0	End bracket 9708 / S35	End clamp for mounting rail TS 35
Z5.522.8553.0	End bracket 9708 / 2 S 35	End clamp for mounting rail TS 35
Z5.523.5653.0	End bracket WE 2/U	End clamp for mounting rail TS 35 and TS 32
Z5.523.5753.0	End bracket WE 1/U	End clamp for mounting rail TS 35 and TS 32
Z5.523.9353.0	End bracket WEF 1/35	End clamp for mounting rail TS 35

These dimensions will be especially checked at delivery
 Only inspection dimensions
 With ±E marked dimensions are only valid for internal use

Diese Maße werden bei Abnahme besonders geprüft
 Ausschließlich Prüfmaße
 Mit ±E gekennzeichnete Maße sind nur für interne Zwecke gültig



Weitere Daten siehe Katalog
 further data see catalog

- Hutschiene EN 60715-35x7,5
mounting rail EN 60715-35x7,5
- G-Schiene EN 60715-G 32
g-rail EN 60715-G 32
- Hutschiene EN 60715-35x15
mounting rail EN 60715-35x15

Tolerierung nach DIN 7167/Tolerance system acc. to DIN 7167. (This DIN-standard describes the envelope principle. According to the envelope principle the deviations of form and parallelism are limited by the size tolerances).				ja/yes <input checked="" type="checkbox"/> Stoffverbots- und Deklarationsliste nach UU-TQM-05/03 ist einzuhalten. Conformity with Wieland document UU-TQM-05/03 (list of prohibited / declarable hazardous substances) to be declared!			
Freitoleranz nach General tolerance		CAD - Zeichnung, keine manuellen Änderungen CAD - drawing, no manual modifications allowed		1. Verwendung: - First Use:		Blatt: 1 von 1 Sheet: 1 of 1	
		Werkstoff/Material		2006 gezeichnet drawn	Tag/Date 10.11.	Name Schmitt J.	
		Maßstab/Scale		geprüft checked	-	T Zeichnung Nr./Drawing No. 57.110.0555.0 01K	
		%		Normgepr. Stand. check	-	Index	
		Vol. mm³ Ofl./Surf. mm²		Ersatz für/Replacement for: -			
		wieland		Type 9760U/ 8TK/V0	Benennung/Title REIHEN_TRENNKLEMME		
Index Datum / Blatt Date / Sheet		Elektrische Verbindungen		Disconnect block			
Änderung/Revision							

Weitergabe sowie Vervielfältigung dieses Dokuments, Verwertung und Mitteilung
 seines Inhalts sind verboten, soweit nicht ausdrücklich gestattet.
 The reproduction, distribution and utilization of this document as well as the
 communication of its contents to others without express authorization is prohibited.

571100555001K_4_CADW1042_Schmitt 2006-11-10T13:36:20 1.000