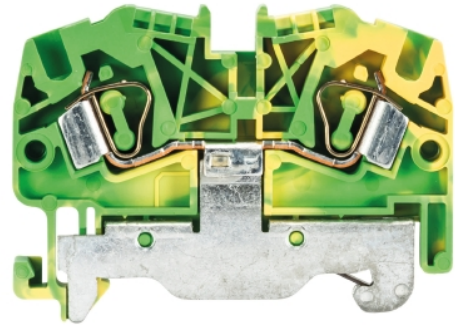


## Data sheet

Commercial Art.No.: 56.704.9053.0

Earth terminal WKF 4 SL / 35/V0

Ground terminal with tension spring connection for mounting on TS 35, nominal cross section: 4 mm<sup>2</sup>, width: 6 mm, color: Green-yellow



Commercial Art.No.	56.704.9053.0
EAN	4015573350793
Order Unit	100

Certificates / Approvals



CAN-EX



ATEX



## Technical data

### General

Nominal cross section	4 mm <sup>2</sup>
Color	Green/yellow
Number of levels	1
Number of clamp positions per level	2
Width/grid dimension	6 mm
Insulating housing	PA666
Inflammability class of insulation material acc. with UL94	V0
Explosion-tested version "Ex e"	yes
Mounting method	DIN rail (top hat rail) 35/7.5 mm
Terminal blocks for electrical installations	yes

### Technical data

Rated impulse voltage	8 kV
Pollution degree	3
Closing plate required	yes
Type of insulation material	Thermoplastic
Length	57 mm

### Connection Data

Connection type 1	spring clamp connection
Connection type 2	spring clamp connection
Minimum cross section solid	0.13 mm <sup>2</sup>
Maximum cross section solid	6 mm <sup>2</sup>
Minimum cross section fine stranded	0.13 mm <sup>2</sup>
Maximum cross section fine stranded	4 mm <sup>2</sup>
Wire strip length	11 mm

**Technical Data UL/CSA**

Cross section UL	22-10 AWG
Cross section CSA	22-10 AWG

**Classification**

ECLASS 11	
ECLASS 8.1	27141141
ETIM 7.0	EC000901
ETIM 6.0	EC000901
ETIM 5.0	EC000901
ETIM 4.0	EC000901
ETIM 3.0	EC000901

**Product compliance**

ROHS conformity status	Compliant
REACH-SVHC conformity status	Compliant

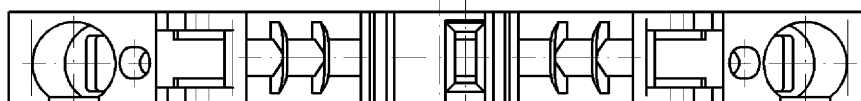
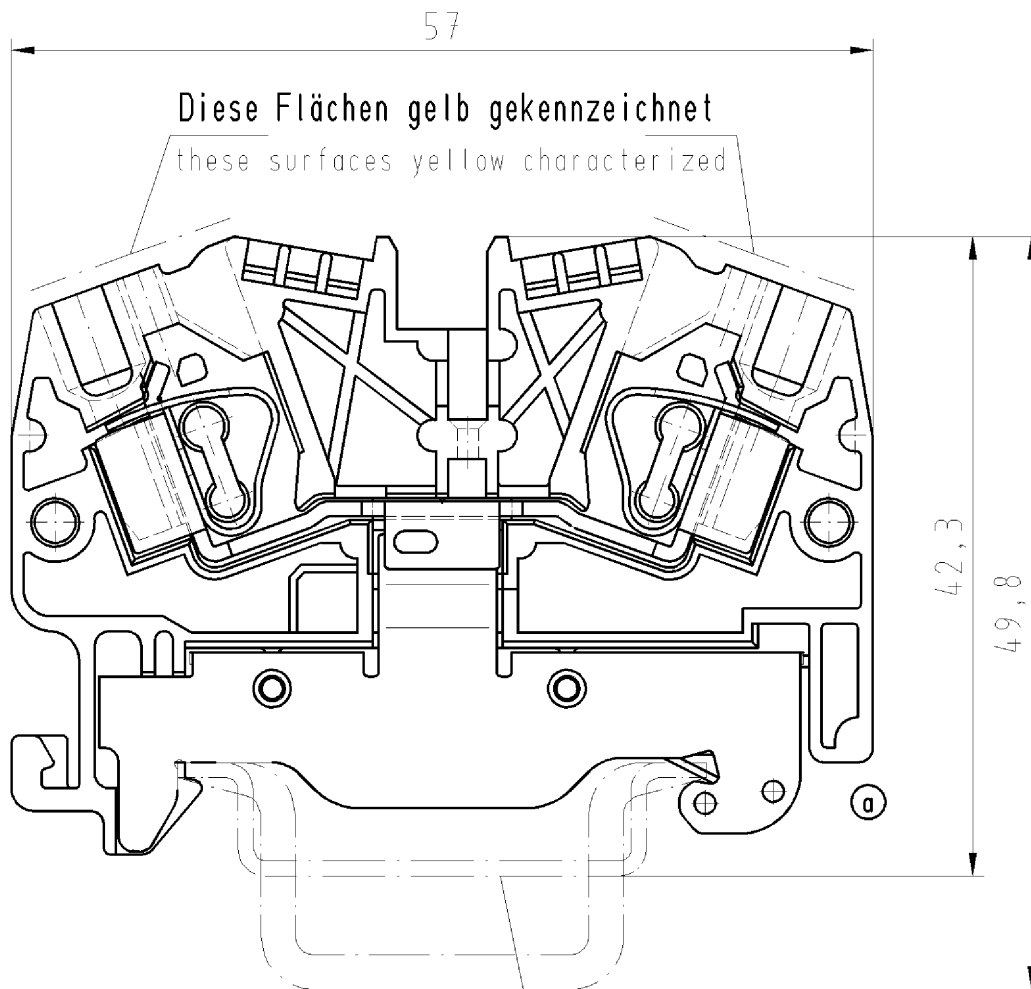
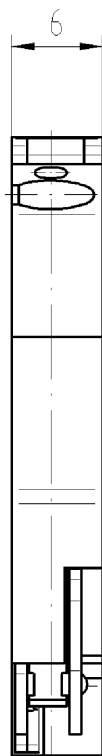
**Accessories**

Commercial Art.No.:	Article-type description:	Description:
98.300.0000.0	Mounting rail TS 35x7,5 UNPERF - l:2000mm	Mounting rail TS 35, unslotted, size 7,5 mm, length 2 m, material steel. galv. zinc-plated and dichromated
98.300.1000.0	Mounting rail TS 35x7,5 PERF 15mm - l:2000mm	Mounting rail TS 35, slotted, size 7,5 mm, length 2 m, material steel. galv. zinc-plated and dichromated
98.300.1900.0	Mounting rail TS 35x7,5 PERF 25mm - l:2000mm	Mounting rail TS 35, slotted, size 7,5 mm, length 2 m, material steel. galv. zinc-plated and dichromated
98.360.0000.0	Mounting rail TS 35x15-2,3 UNPERF - l:2000mm	Mounting rail TS 35, unslotted, size 15 mm, length 2 m, material steel. galv. zinc-plated and dichromated
98.360.0004.0	Mounting rail TS 35x15-2,3 UNPERF FZN - l:2000mm	Mounting rail TS 35, unslotted, size 15 mm, length 2 m, material steel, hot galvanized
98.370.0000.0	Mounting rail TS 35x15 UNPERF - l:2000mm	Mounting rail TS 35, unslotted, size 15 mm, length 2 m, material steel. galv. zinc-plated and dichromated
98.370.1000.0	Mounting rail TS 35x15 PERF 15mm - l:2000mm	Mounting rail TS 35, slotted, size 15 mm, length 2 m, material steel. galv. zinc-plated and dichromated
98.380.0000.0	Mounting rail TS 35x15-2,3 UNPERF CU - l:2000mm	Mounting rail TS 35, unslotted, size 15 mm, length 2 m, material E copper
07.312.2153.0	End plate APF 2,5 - 4	End plate for DIN rail terminal blocks type WKF 2,5... und WKF 4..., color: grey
07.312.2153.6	End plate APF 2,5 - 4 BLAU	End plate for DIN rail terminal blocks type WKF 2,5... und WKF 4..., color: blue
07.312.2153.7	End plate APF 2,5 - 4 GRUEN	End plate for DIN rail terminal blocks type WKF 2,5... und WKF 4..., color: green
Z7.261.1227.0	Jumper bar IVB WKF 4 - 2	Cross connector, insulated for DIN rail terminal blocks type WKF..., 2 - pole
Z7.261.1327.0	Jumper bar IVB WKF 4 - 3	Cross connector, insulated for DIN rail terminal blocks type WKF..., 3 - pole
Z7.261.1427.0	Jumper bar IVB WKF 4 - 4	Cross connector, insulated for DIN rail terminal blocks type WKF..., 4 - pole
Z7.261.1527.0	Jumper bar IVB WKF 4 - 5	Cross connector, insulated for DIN rail terminal blocks type WKF..., 5 - pole
Z7.261.1627.0	Jumper bar IVB WKF 4 - 6	Cross connector, insulated for DIN rail terminal blocks type WKF..., 6 - pole

Z7.261.1727.0	Jumper bar IVB WKF 4 - 7	Cross connector, insulated for DIN rail terminal blocks type WKF..., 7 - pole
Z7.261.1827.0	Jumper bar IVB WKF 4 - 8	Cross connector, insulated for DIN rail terminal blocks type WKF..., 8 - pole
Z7.261.1927.0	Jumper bar IVB WKF 4 - 9	Cross connector, insulated for DIN rail terminal blocks type WKF..., 9 - pole
Z7.261.2027.0	Jumper bar IVB WKF 4 - 10	Cross connector, insulated for DIN rail terminal blocks type WKF..., 10 - pole
98.300.1800.0	Mounting rail TS 35x7,5 PERF 18mm - l:2000mm	Mounting rail TS 35, slotted, size 7,5 mm, length 2 m, material steel. galv. zinc-plated and dichromated

○ Diese Maße werden bei Abnahme besonders geprüft  
 ○ Ausschließlich Prüfmaße

□ Mit Z/E gekennzeichnete Maße sind nur für interne Zwecke gültig



Weitere Daten siehe Katalog  
 further data see catalog

Weitergabe sowie Vervielfältigung dieses Dokuments, Verwertung und Mitteilung seines Inhalts sind verboten, soweit nicht ausdrücklich gestattet. The reproduction, distribution and utilization of this document as well as the communication of its contents to others without authorization is prohibited.

Freitoleranz nach DIN		CAD - Zeichnung, keine manuellen Änderungen			1. Verwendung: -		Bl.: 1 von 1	
	/	Maßstab <b>2:1</b>	Werkstoff und Oberfläche: Farbe: grün colour: green	2002	Tag	Name	Zeichnung Nr. <b>56.704.9053.0 01K a</b>	Index <b>a</b>
	/			Entworfen	13.11.	Schneiderb.		
	/			Geprüft	-	-		
	/			Normgepr.	-	-	Ersatz für: -	
	/		<b>wieland</b> Elektrische Verbindungen	Typ		Benennung		
a	29.06.2004/			WKF 4 SL/ 35		<b>SCHUTZLEITERKLEMME</b> earth terminal (screwless) schraubenlos		
Buchstabe Datum / Blatt								
Änderung								