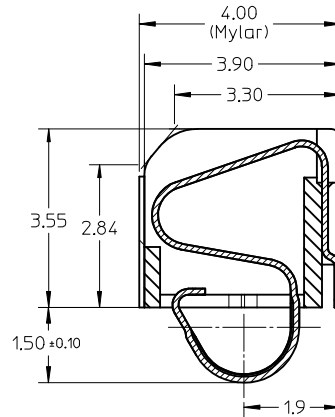
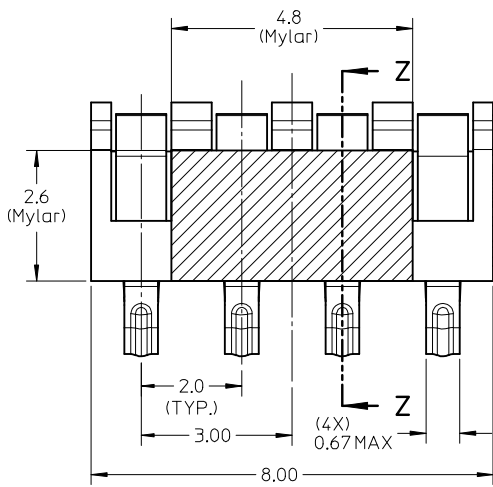
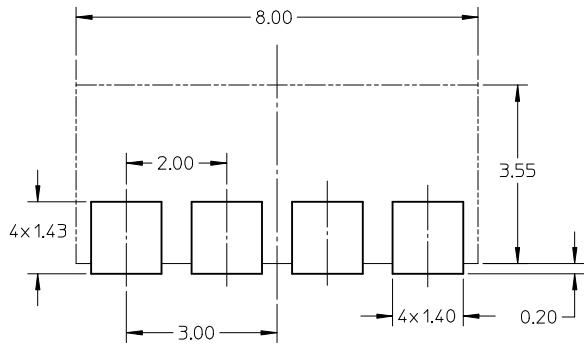
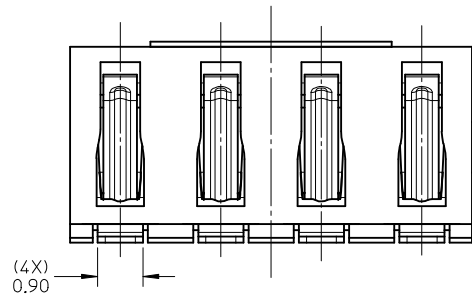
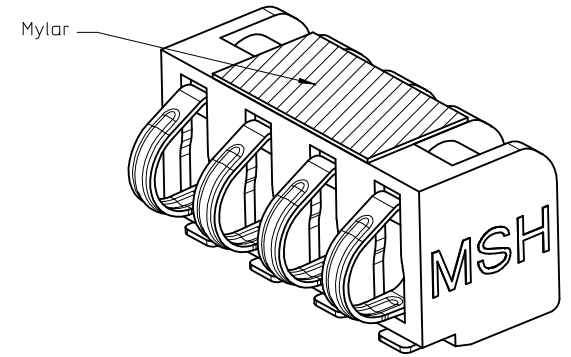


10 9 8 7 6 5 4 3 2 1



SECTION Z-Z



RECOMMENDED PCB LAYOUT

NOTE:

1. MATERIAL:
  - HOUSING: LCP, 30% GLASS-FILLED, UL 94V-0, COLOR IS BLACK
  - TERMINAL: COPPER ALLOY, 0.12 MM BeCu
2. FINISH:
  - CONTACT AREA: 30-50 MICRO INCHES GOLD PLATING OVER 50-140 MICRO INCHES NICKEL
  - SOLDER AREA: 3 MICRO MIN GOLD FLASH OVER 50-140 MICRO INCHES NICKEL
  - REST AREA: 50-140 MICRO INCHES NICKEL
3. RECOMMENED WORKING RANGE 1.05 ~ 0.55 MM.
4. COPLANARITY: 0.1 MAX AMONG THESE SOLDER TAILS.
5. PRODUCT SPECIFICATION: PS-47531-001

NEW PRODUCT EC NO: SH2007-0529 DRWN: YLZHU02 2007/02/06 CHKD: XUXIANG 2007/02/06 APPR: JINCHEN 2007/02/15	QUALITY SYMBOLS	GENERAL TOLERANCES (UNLESS SPECIFIED)																		
	▼=0 ▽=0	<table border="1"> <thead> <tr> <th></th> <th>mm</th> <th>INCH</th> </tr> </thead> <tbody> <tr> <td>4 PLACES</td> <td>± ---</td> <td>± ---</td> </tr> <tr> <td>3 PLACES</td> <td>± ---</td> <td>± ---</td> </tr> <tr> <td>2 PLACES</td> <td>± 0.15</td> <td>± ---</td> </tr> <tr> <td>1 PLACE</td> <td>± 0.25</td> <td>± ---</td> </tr> <tr> <td colspan="3" style="text-align: center;">ANGULAR ± 5 °</td> </tr> </tbody> </table>		mm	INCH	4 PLACES	± ---	± ---	3 PLACES	± ---	± ---	2 PLACES	± 0.15	± ---	1 PLACE	± 0.25	± ---	ANGULAR ± 5 °		
		mm	INCH																	
	4 PLACES	± ---	± ---																	
3 PLACES	± ---	± ---																		
2 PLACES	± 0.15	± ---																		
1 PLACE	± 0.25	± ---																		
ANGULAR ± 5 °																				
DRAFT WHERE APPLICABLE MUST REMAIN WITHIN DIMENSIONS																				
REV	DESCRIPTION																			

DRAWN BY: YLZHU02		DATE: 2007/01/30	
CHECKED BY: XIXU		DATE: 2007/01/31	
APPROVED BY: JINCHEN		DATE: 2007/01/31	
MATERIAL NO.		DOCUMENT NO.	
SEE TABLE		SD-47531-001	

475310011		4 PIN BATTERY CONNECTOR WITHOUT MYLAR	
475310001		4 PIN BATTERY CONNECTOR WITH MYLAR	
PART NUMBER		DESCRIPTION	
DIMENSION STYLE MM ONLY		SCALE 10:1	DESIGN UNITS METRIC
DRAWN BY: YLZHU02		DATE: 2007/01/30	
CHECKED BY: XIXU		DATE: 2007/01/31	
APPROVED BY: JINCHEN		DATE: 2007/01/31	
MATERIAL NO.		DOCUMENT NO.	
SEE TABLE		SD-47531-001	
SIZE A3		THIS DRAWING CONTAINS INFORMATION THAT IS PROPRIETARY TO MOLEX INCORPORATED AND SHOULD NOT BE USED WITHOUT WRITTEN PERMISSION	

TITLE  
**ASSEMBLY DRAWING**  
**4 PIN BATTERY CONNECTOR**  
**2.0MM PITCH**

**MOLEX** MOLEX INCORPORATED

SHEET NO.  
1 OF 1

9 8 7 6 5 4 3 2 1