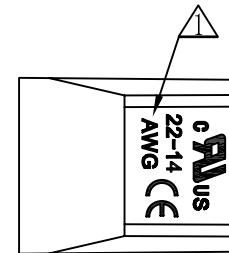
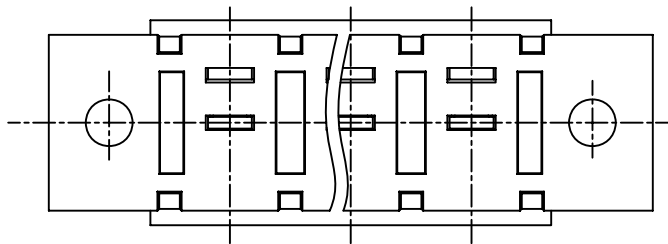
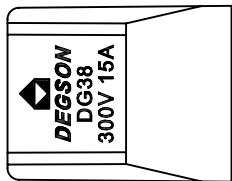
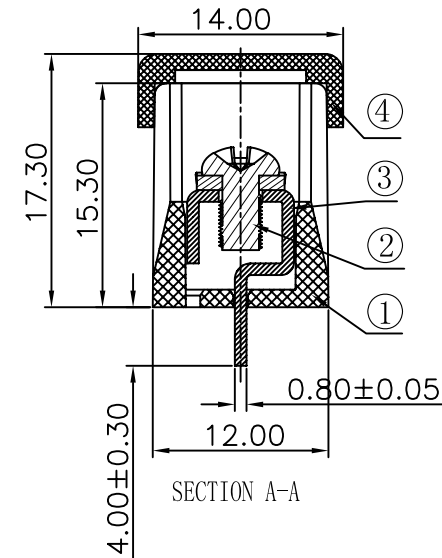
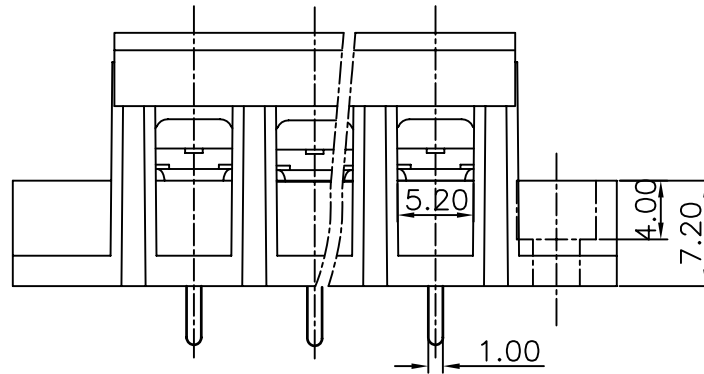
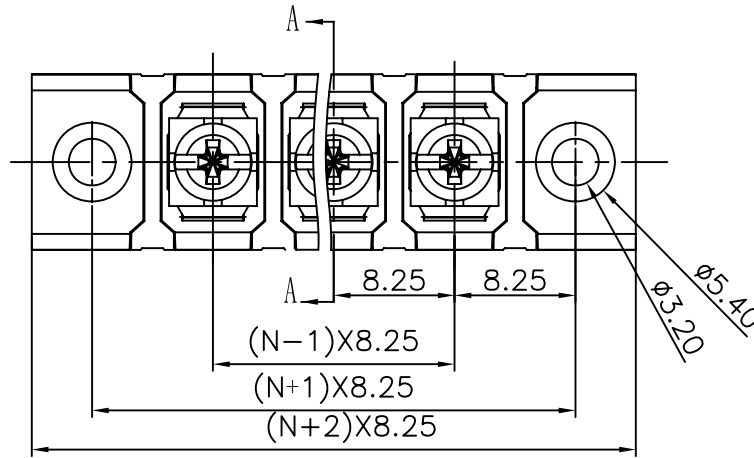


REVISION RECORD				
REV	ECO	DESCRIPTION	DRFT	DATE
1		增加UL刻字	CSX	03/13/07
2		品名、料号增加环保标识“(H)”	YeJ	12/08/07

Notes:

1. Pitch:8.25mm , Poles:2-24P
2. Rated current:15A
3. Rated voltage:300V
4. Operation temperatures:-40° C~+105° C
5. Insulation Withstand Voltage:AC2000V/Min
6. Insulation Resistance:500MΩ/DC500V
7. Wire Range:22~14AWG
8. Max. Torque Value:5.1kgf.cm
9. Undimensioned Tolerances:

Pitch range in mm		Nominal dimension range in mm						
to 6	over 6 to 10	over 10 to 24	over 30 to 60	over 60 to 100	over 100 to 150	over 150	∩	
±0.10	±0.15	±0.25	±0.2	±0.3	±0.5	±0.7	±1.0	∇



1	DG38-A housing	5050MOYXXA (H)	1	PA66+23%GF	UL94V-0																											
ITEM	NAME OF PART	NO. OF PART	Q'TY	MATERIAL	NOTES																											
<table border="1"> <tr> <td colspan="2">MM (INCH)</td> <td>DFTO Zhuwm</td> <td>DATE 12/28/05</td> </tr> <tr> <td colspan="2">TOLERANCES EXCEPT AS NOTED</td> <td>CHKD</td> <td>DATE</td> </tr> <tr> <td colspan="2"></td> <td>MFO</td> <td>DATE</td> </tr> <tr> <td colspan="2"></td> <td>APPVL</td> <td>DATE</td> </tr> <tr> <td colspan="2">MATERIAL :</td> <td colspan="2"></td> </tr> <tr> <td colspan="2">ANGLES ± 1°</td> <td colspan="2">G.E :</td> </tr> <tr> <td colspan="2">THIRD ANGLE PROJECTION</td> <td colspan="2">FINISH :</td> </tr> </table>		MM (INCH)		DFTO Zhuwm	DATE 12/28/05	TOLERANCES EXCEPT AS NOTED		CHKD	DATE			MFO	DATE			APPVL	DATE	MATERIAL :				ANGLES ± 1°		G.E :		THIRD ANGLE PROJECTION		FINISH :		宁波高正电子有限公司 DEGSON ELECTRONICS CO., LTD NAME DG38C-A-XXP-1Y-00A (H) DRAWING NO. DG38C-E01 /PART NO. SCALE : 1:1 DO NOT SCALE DRAWING SHEET 1 OF 1		
MM (INCH)		DFTO Zhuwm	DATE 12/28/05																													
TOLERANCES EXCEPT AS NOTED		CHKD	DATE																													
		MFO	DATE																													
		APPVL	DATE																													
MATERIAL :																																
ANGLES ± 1°		G.E :																														
THIRD ANGLE PROJECTION		FINISH :																														

4	DG38-Cover	5050C07XXA (H)	1	PC	
3	DG28C Pin header	5006B00010 (H)	XX	Brass	SnCe plated
2	M3*6 (6*6) bright Screws	S000000450 (H)	XX	Steel	Ni plated