

## Data sheet

Commercial Art.No.: 56.716.8155.0

Neutral disconnect terminal WKIF 16/1 NT/35

Neutral disconnect terminal with tension spring connection for mounting on TS 35, nominal cross section: 16 mm<sup>2</sup>, width: 12 mm, color: blue



Commercial Art.No.	56.716.8155.0
EAN	4015573842687
Order Unit	20

Certificates / Approvals



## Technical data

### General

Nominal cross section	16 mm <sup>2</sup>
Color	Blue
Width/grid dimension	12 mm
Inflammability class of insulation material acc. with UL94	V0
Mounting method	DIN rail (top hat rail) 35/7.5 mm
Terminal blocks for electrical installations	yes

### Technical data

Rated current	76 A
Rated voltage	400 V
Rated impulse voltage	6 kV
Pollution degree	3
Connecting plate required	No
Type of insulation material	Thermoplastic
Length	94 mm

### Connection Data

Connection type 1	spring clamp connection
Minimum cross section solid	4 mm <sup>2</sup>
Maximum cross section solid	10 mm <sup>2</sup>
Minimum cross section fine stranded	4 mm <sup>2</sup>
Maximum cross section fine stranded	16 mm <sup>2</sup>
Minimum cross section stranded	16 mm <sup>2</sup>
Maximum cross section stranded	16 mm <sup>2</sup>
Wire strip length	15 mm
For N-busbar	3x10 mm

### Classification

ECLASS 11	
-----------	--

ECLASS 8.1	27141138
ETIM 7.0	EC001257
ETIM 6.0	EC001257
ETIM 5.0	EC001257
ETIM 4.0	EC001257
ETIM 3.0	EC001257

**Product compliance**

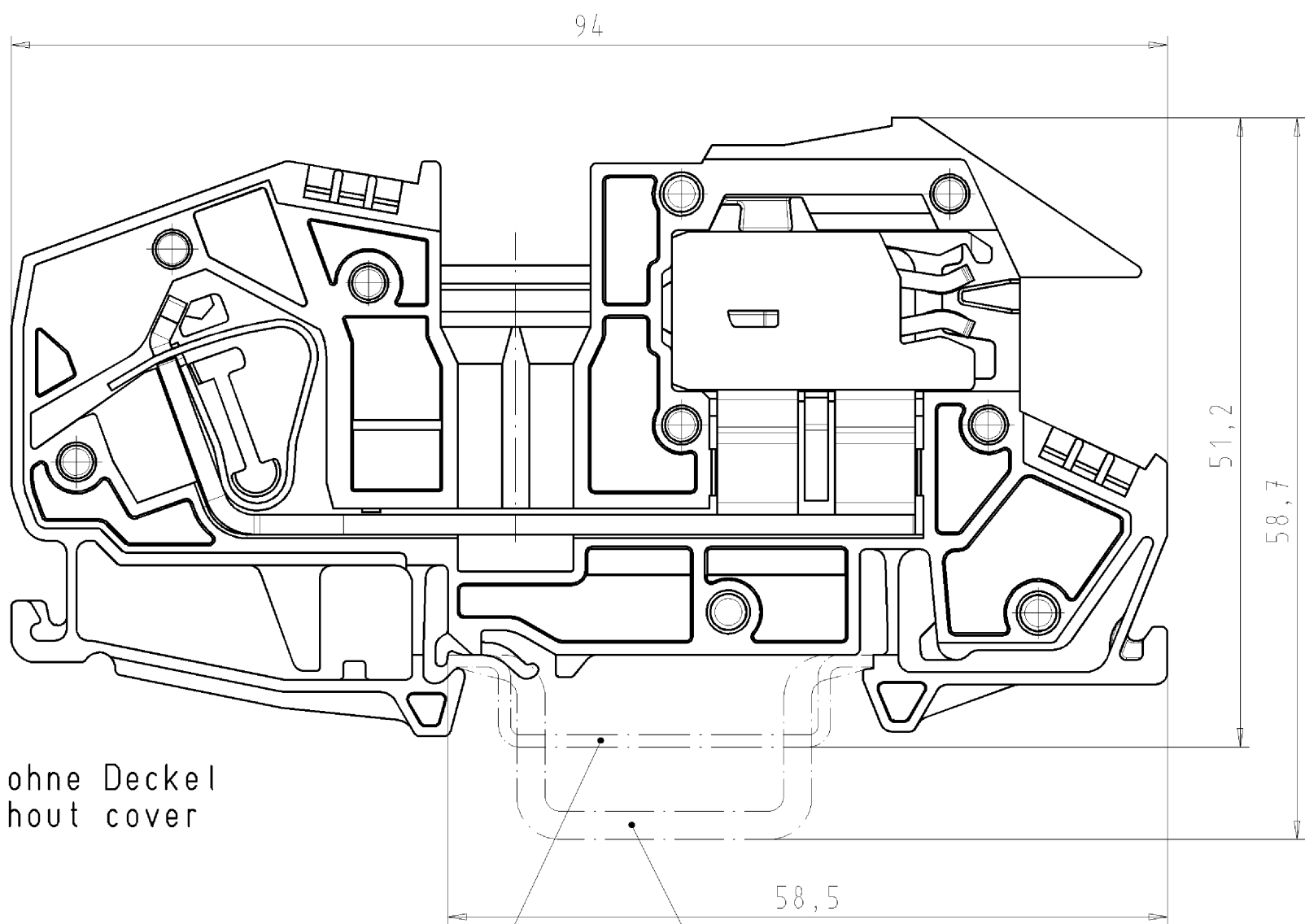
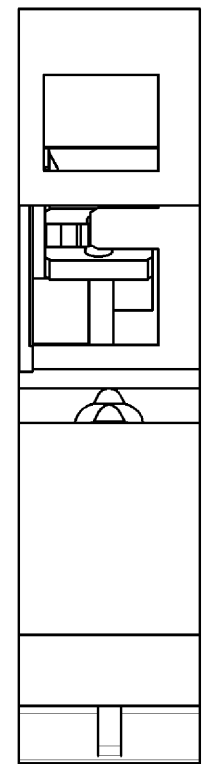
ROHS conformity status	Compliant
REACH-SVHC conformity status	Compliant

**Accessories**

Commercial Art.No.:	Article-type description:	Description:
98.300.0000.0	Mounting rail TS 35x7,5 UNPERF - l:2000mm	Mounting rail TS 35, unslotted, size 7,5 mm, length 2 m, material steel. galv. zinc-plated and dichromated
98.300.1000.0	Mounting rail TS 35x7,5 PERF 15mm - l:2000mm	Mounting rail TS 35, slotted, size 7,5 mm, length 2 m, material steel. galv. zinc-plated and dichromated
98.300.1900.0	Mounting rail TS 35x7,5 PERF 25mm - l:2000mm	Mounting rail TS 35, slotted, size 7,5 mm, length 2 m, material steel. galv. zinc-plated and dichromated
98.360.0000.0	Mounting rail TS 35x15-2,3 UNPERF - l:2000mm	Mounting rail TS 35, unslotted, size 15 mm, length 2 m, material steel. galv. zinc-plated and dichromated
98.360.0004.0	Mounting rail TS 35x15-2,3 UNPERF FZN - l:2000mm	Mounting rail TS 35, unslotted, size 15 mm, length 2 m, material steel, hot galvanized
98.370.0000.0	Mounting rail TS 35x15 UNPERF - l:2000mm	Mounting rail TS 35, unslotted, size 15 mm, length 2 m, material steel. galv. zinc-plated and dichromated
98.370.1000.0	Mounting rail TS 35x15 PERF 15mm - l:2000mm	Mounting rail TS 35, slotted, size 15 mm, length 2 m, material steel. galv. zinc-plated and dichromated
98.380.0000.0	Mounting rail TS 35x15-2,3 UNPERF CU - l:2000mm	Mounting rail TS 35, unslotted, size 15 mm, length 2 m, material E copper
98.300.1800.0	Mounting rail TS 35x7,5 PERF 18mm - l:2000mm	Mounting rail TS 35, slotted, size 7,5 mm, length 2 m, material steel. galv. zinc-plated and dichromated

These dimensions will be especially checked at delivery  
Only inspection dimensions  
With /E marked dimensions are only valid for internal use

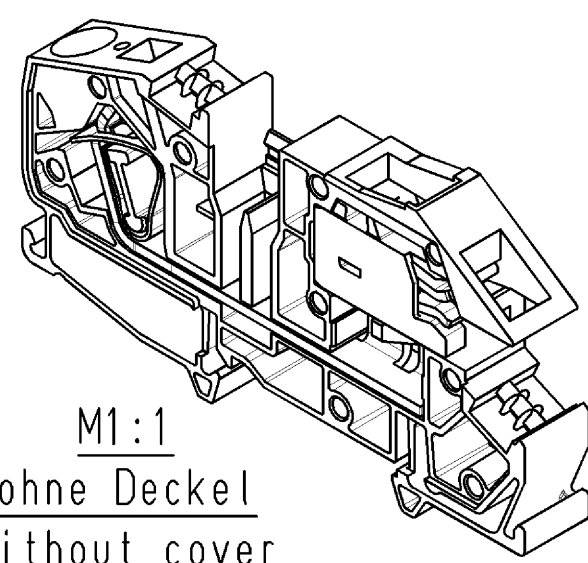
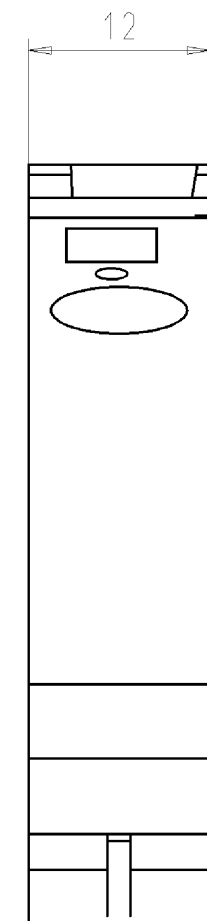
Diese Maße werden bei Abnahme besonders geprüft  
Ausschließlich Prüfmaße  
Mit /E gekennzeichnete Maße sind nur für interne Zwecke gültig



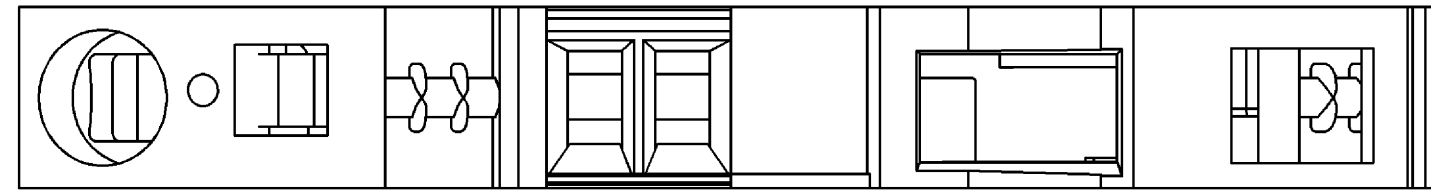
Ansicht ohne Deckel  
view without cover

Hutschiene EN 60715-35x7,5  
mounting rail EN 60715-35x7,5

Hutschiene EN 60715-35x15  
mounting rail EN 60715-35x15



M1:1  
ohne Deckel  
without cover



Weitere Daten siehe Katalog  
further data see catalog

Tolerierung nach DIN 7167/Tolerance system acc. to DIN 7167. (This DIN-standard describes the envelope principle. According to the envelope principle the deviations of form and parallelism are limited by the size tolerances).				ja/yes <input checked="" type="checkbox"/> Stoffverbots- und Deklarationsliste nach UU-TQM-05/03 ist einzuhalten. Conformity with Wieland document UU-TQM-05/03 (list of prohibited / declarable hazardous substances) to be declared!			
Freitoleranz nach General tolerance		CAD - Zeichnung, keine manuellen Änderungen CAD - drawing, no manual modifications allowed		1. Verwendung: First Use: -		Blatt: 1 von 1 Sheet: of 1	
/		Werkstoff/Material		2006 Tag/Date		Name	
/				09.11.		Schmitt J.	
/ Maßstab/Scale				gezeichnet drawn		Zeichnung Nr./Drawing No.	
/ 2:1				geprüft checked		56.716.8155.0 01K	
/				Nichtgepr. Stand. check		Index	
/ Vol.		mm <sup>3</sup> Öl./Surf.		mm <sup>2</sup>		Maße in mm/Dimensions are in mm	
/				Ersatz für/Replacement for: -			
/		wieland		Type		Benennung/Title	
/		Elektrische Verbindungen		type		NEUTRAL_TRENNKLEMME	
Index Datum / Blatt Date / Sheet				WKIF 16/1 NT/35		für Installationsverteiler Neutral disconnect block for junction box	
Änderung/Revision							

Weitergabe sowie Vervielfältigung dieses Dokuments, Verwertung und Mitteilung seines Inhalts sind verboten, soweit nicht ausdrücklich gestattet. Die Reproduktion, Distribution und Utilization of this document as well as the communication of its contents to others without express authorization is prohibited.

567168155001K\_4\_CADW1042\_Schmitt 2006-11-09T12:50:48 1.000 QU-PEM-08/91