

J

MATERIALS AND FINISHES

BODY BRASS
PLATED GOLD

I

CENTER CONTACT BERYLLIUM COPPER
PLATED GOLD

H

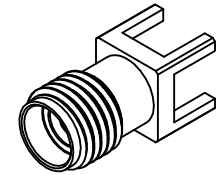
INSULATOR TEFLON

PACKAGING: BY TRAY

G

SMA JACK
INTERFACE

1/4-36 UNS-2A



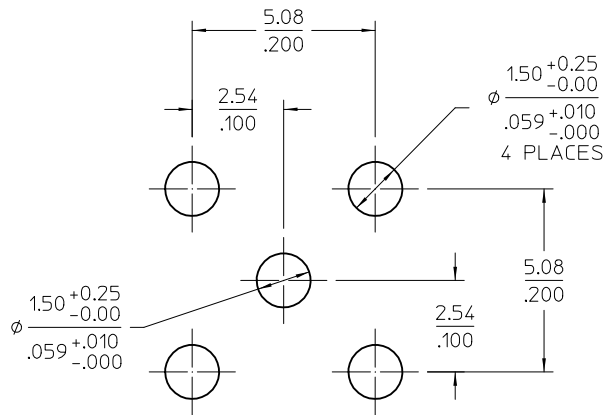
J

I

H

G

F

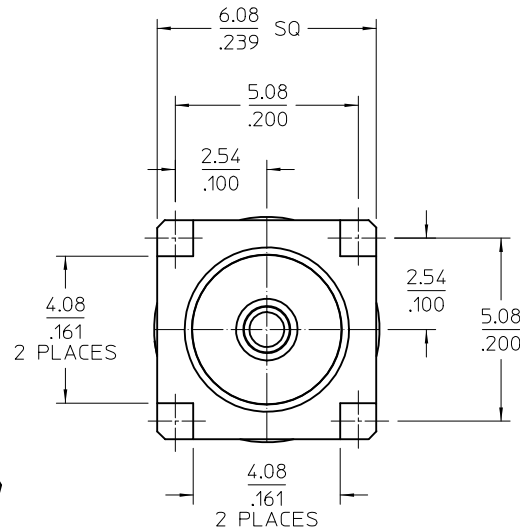


RECOMMENDED MOUNTING HOLE

F

E

D



E

D

C

PRE-RELEASE
REFERENCE
USE ONLY

C

PART # 73251-5570

B

A

NEW RELEASED PER PDR1109876 EC NO: 2011/09/01 DRAWING: 02 CHKD: APPR:	QUALITY SYMBOLS	GENERAL TOLERANCES (UNLESS SPECIFIED)	DIMENSION STYLE	SCALE	DESIGN UNITS	THIRD ANGLE PROJECTION
	▽=0 ▽=0	mm INCH	MM/IN	METRIC		
		4 PLACES ± --- ± --- 3 PLACES ± --- ± --- 2 PLACES ± --- ± --- 1 PLACE ± --- ± ---	DRAWN BY DATE CWE102 2011/09/01 CHECKED BY DATE KERRIE 2011/09/01 APPROVED BY DATE	TITLE	SMA, JACK STR FOR PCB 50 OHMS SMA-J/PCB	
		ANGULAR ± 2 °	MATERIAL NO. 732515570	DOCUMENT NO. SD-73251-557	MOLEX INCORPORATED	
	DRAFT WHERE APPLICABLE MUST REMAIN WITHIN DIMENSIONS	SIZE C	THIS DRAWING CONTAINS INFORMATION THAT IS PROPRIETARY TO MOLEX INCORPORATED AND SHOULD NOT BE USED WITHOUT WRITTEN PERMISSION		SHEET NO. 1 OF 1	