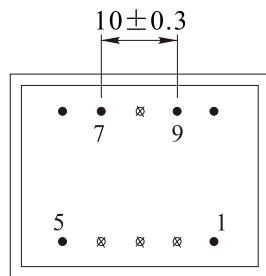
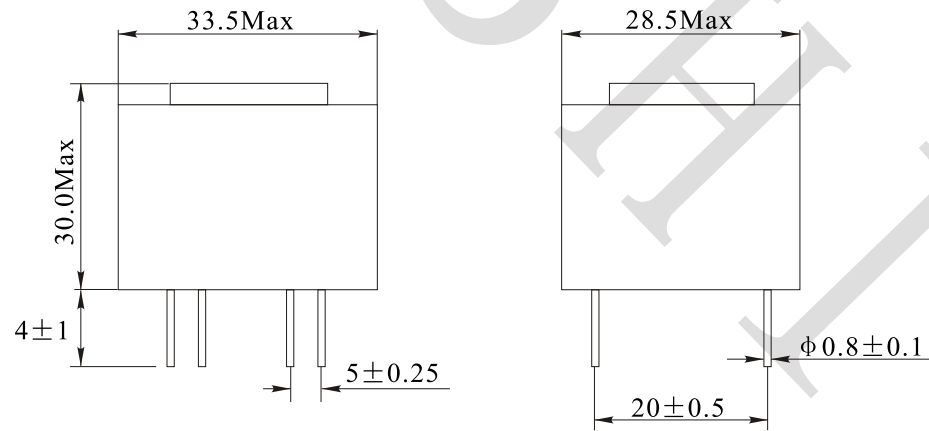


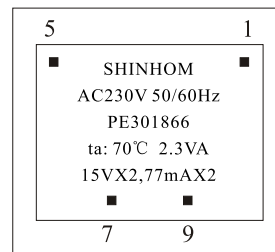
Rev.	Description	Date
A0	New release	2023.05.08

1. PHYSICAL CHARACTERISTICS (mm)

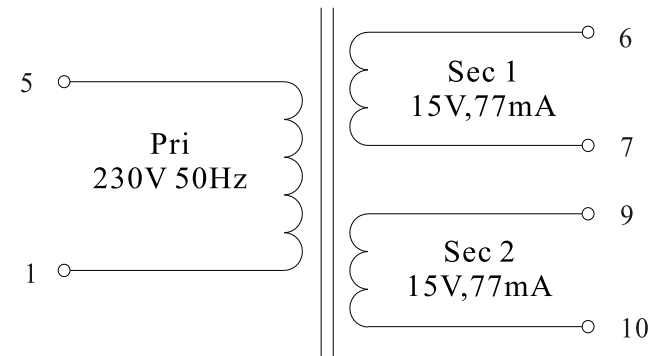


Bottom view

Top marking



2. ELECTRONICAL SCHEMATIC



3. ELECTRONICAL SPECIFICATIONS

- Pri voltage: 230V, 50Hz
- Load voltage: Sec1: 15V ± 5%V @ 77mA
Sec2: 15V ± 5%V @ 77mA
- Noload voltage: Sec1: 25.9V Ref
Sec2: 25.9V Ref
- Output Power: 2.3VA
- Hi-Pot: 4000V, 50Hz, 1mA, 10S Pri to Sec

NOTES:

Temp 20°C 48%RH
RoHS Compliant

NAME:	Potting Transformer		
CUSTOMER P/N:		DATE:	2023-05-08
SHINHOM P/N:	PE301866	REV: A0	PAGE
DRAWN BY	CHECKED BY	APPROVE BY	



SHINHOM
SHAANXISHINHOM ENTERPRISE CO LTD

The Document property belong to SHINHOM & is not allowed to be duplicated without authorization