

Data sheet

Commercial Art.No.: 70.500.0653.0

Female insert BAS BUF 6 2,5 50

Female insert revos basic, 6-poles, rated current: 16A, rated voltage: 500V, with silver-plated contacts



Commercial Art.No.	70.500.0653.0
EAN	4015573324152
Order Unit	10

Certificates / Approvals



Technical data

General

Model	Female insert
Inflammability class of insulation material acc. with UL94	V2
Color	Grey
Mating cycles	500
Pollution degree	3
Modular version	No
Operating temperature range min.	-40 °C
Operating temperature range max.	120 °C

Connection Data

Connection type	spring clamp connection
Number of poles	6
Plus switching contacts	0
Number of pole for rated current 2	0
Number of pole for rated current 3	0
Total number of poles (without ground contact)	6
With wire protection	yes
Min. conductor diameter rigid (solid/stranded)	0.5 mm ²
Max. conductor diameter rigid (solid/stranded)	2.5 mm ²
Protective contact	yes

Technical Data UL/CSA

Rated voltage according to UL/CSA	600 V
Rated current according UL	16 A
Rated current according CSA	16 A

Min. conductor cross section flexible wire	0.14 mm ²
Max. conductor cross section flexible wire	2.5 mm ²
Conductor cross section flexible AWG wire	26-12 AWG

Model

With housing	No
--------------	----

Contacts

Contact material	Copper alloy
Surface	Silver-plated
Contact resistance	≤ 3 mOhm
Wire strip length	7 mm

Screws head design/recomm. Torque

Mounting screws	H1/0.5-0.7 Nm
Ground conductor screws	H2/1.2-1.6 Nm

Technical Data DIN EN 61984

Nominal voltage	500 V
Rated voltage face/ground	500 V
Nominal current	16 A
Rated impulse voltage	6 kV

Classification

ECLASS 11	
ECLASS 8.1	27440205
ETIM 7.0	EC000438
ETIM 6.0	EC000438
ETIM 5.0	EC000438
ETIM 4.0	EC000438

Product compliance

ROHS conformity status	Compliant/Exempted
ROHS exceptions	III-6(c)
REACH-SVHC conformity status	Duty-To-Declare
REACH-SVHC substances	Lead
REACH-SVHC CAS numbers	7439-92-1

Accessories

Commercial Art.No.:	Article-type description:	Description:
06.502.4000.0	screwdriver DIN 5264 A 0,6 x 3,5	Screw driver according to DIN 5264 A, blade: 0.6x3.5 mm, long and straight version

Fits with

Commercial Art.No.:	Article-type description:	Description:

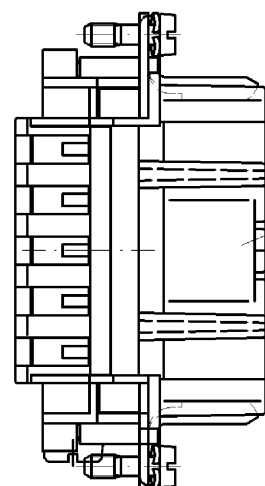
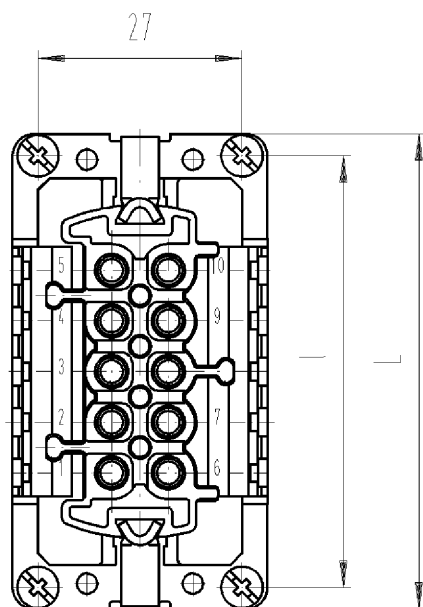
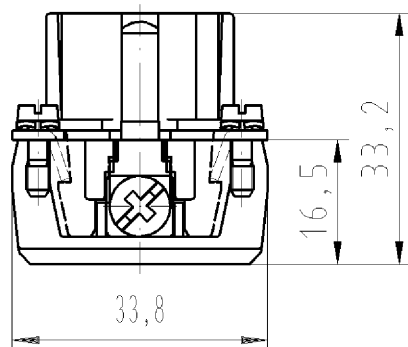
70.950.0653.3	Multipole adapter set BAS GAESHLS 6 4,0 50	Multipole adapter revos BASIC 500V/16A with base, screw connection 6 pole + ground, long design, male insert, ground left, single locking lever
70.950.0653.4	Multipole adapter set BAS GAESNLS 6 4,0 50	Multipole adapter revos BASIC 500V/16A with base, screw connection 6 pole + ground, short design, male insert, ground left, single locking lever
70.510.0653.0	Male insert BAS STF 6 2,5 50	Male insert revos basic, 6-poles, rated current: 16A, rated voltage: 500V, with tin-plated contacts
70.512.0653.0	Male insert BAS STM 6 2,5 50 AG	Male insert revos basic, 6-poles, rated current: 16A, rated voltage: 500V, with silver-plated contacts
70.710.0658.0	Male insert BAS STC 6 50	Male insert revos basic, 6-poles, rated current: 16A, rated voltage: 500V, with tin-plated contacts
70.350.0635.0	Hood BAS GOT GG 6 M20 A0	Hood revos basic made of aluminum, for single locking lever with cable gland M20 on the right side (IP54), low version, 6-poles
70.350.0635.1	Hood BAS GOT GG 6 M20 A1	Hood revos basic made of aluminum, for single locking lever with threaded hole M20 on the right side, low version, 6-poles
70.350.0635.2	Hood BAS GOT GG 6 M20 A2	Hood revos basic made of aluminum, for single locking lever with nozzleM20 on the right side, low version, 6-poles
70.350.0635.3	Hood BAS GOT GG 6 M20 A3	Hood revos basic made of aluminum, for single locking lever with trumpet gland M20 on the right side (IP54), low version, 6-poles
70.352.0635.0	Hood BAS GOT GI 6 M20 A0	Hood revos basic made of aluminum, for single locking lever with cable gland M20 on the top (IP54), low version, 6-poles
70.352.0635.1	Hood BAS GOT GI 6 M20 A1	Hood revos basic made of aluminum, for single locking lever with threaded hole M20 on the top, low version, 6-poles
70.352.0635.2	Hood BAS GOT GI 6 M20 A2	Hood revos basic made of aluminum, for single locking lever with nozzleM20 on the top, low version, 6-poles
70.352.0635.3	Hood BAS GOT GI 6 M20 A3	Hood revos basic made of aluminum, for single locking lever with trumpet gland M20 on the top (IP54), low version, 6-poles
70.353.0635.0	Hood BAS GOT GG 6 M25 A0	Hood revos basic made of aluminum, for single locking lever with cable gland M25 on the right side (IP54), low version, 6-poles
70.353.0635.1	Hood BAS GOT GG 6 M25 A1	Hood revos basic made of aluminum, for single locking lever with threaded hole M25 on the right side, low version, 6-poles
70.353.0635.2	Hood BAS GOT GG 6 M25 A2	Hood revos basic made of aluminum, for single locking lever with nozzleM25 on the right side, low version, 6-poles
70.353.0635.3	Hood BAS GOT GG 6 M25 A3	Hood revos basic made of aluminum, for single locking lever with trumpet gland M25 on the right side (IP54), low version, 6-poles
70.354.0635.0	Hood BAS GOT GI 6 M25 A0	Hood revos basic made of aluminum, for single locking lever with cable gland M25 on the top (IP54), low version, 6-poles
70.354.0635.1	Hood BAS GOT GI 6 M25 A1	Hood revos basic made of aluminum, for single locking lever with threaded hole M25 on the top, low version, 6-poles
70.354.0635.2	Hood BAS GOT GI 6 M25 A2	Hood revos basic made of aluminum, for single locking lever with nozzleM25 on the top, low version, 6-poles
70.354.0635.3	Hood BAS GOT GI 6 M25 A3	Hood revos basic made of aluminum, for single locking lever with trumpet gland M25 on the top (IP54), low version, 6-poles
70.372.0635.0	Hood BAS GOT GL 6 M20 50 A0	Hood revos basic made of aluminum, with single locking lever and cable gland M20 on the top - free cable connection (IP54), low version, 6-poles
70.372.0635.1	Hood BAS GOT GL 6 M20 50 A1	Hood revos basic made of aluminum, with single locking lever and threaded hole M20 on the top - free cable connection, low version, 6-poles
70.372.0635.3	Hood BAS GOT GL 6 M20 A3	Hood revos basic made of aluminum, with single locking lever and trumpet gland M20 on the top - free cable connection (IP54), low version, 6-poles
70.450.0637.1	Hood BAS GOM GG 6 M20 B1	Hood revos basic metal-series without coating, for single locking lever with threaded hole M20 on the right side, low version, 6-poles

70.452.0637.1	Hood BAS GOM GI 6 M20 B1	Hood revos basic metal-series without coating, for single locking lever with threaded hole M20 on the top, low version, 6-poles
73.350.0635.0	Hood BAS GOT GG 6HM25 69 A0	Hood revos basic made of aluminum, for single locking lever with cable gland M25 on the right side (IP54), high version, 6-poles
73.350.0635.1	Hood BAS GOT GG 6HM25 69 A1	Hood revos basic made of aluminum, for single locking lever with threaded hole M25 on the right side, high version, 6-poles
73.351.0635.0	Hood BAS GOT GH 6HM20 A0	Hood revos basic made of aluminum, for single locking lever with cable gland M20 on the front (IP54), high version, 6-poles
73.351.0635.1	Hood BAS GOT GH 6HM20 A1	Hood revos basic made of aluminum, for single locking lever with threaded hole M20 on the front, high version, 6-poles
73.351.0635.3	Hood BAS GOT GH 6HM20 A3	Hood revos basic made of aluminum, for single locking lever with trumpet gland M20 on the front (IP54), high version, 6-poles
73.352.0635.0	Hood BAS GOT GI 6HM25 69 A0	Hood revos basic made of aluminum, for single locking lever with cable gland M25 on the top (IP54), high version, 6-poles
73.352.0635.1	Hood BAS GOT GI 6HM25 69 A1	Hood revos basic made of aluminum, for single locking lever with threaded hole M25 on the top, high version, 6-poles
73.352.0635.2	Hood BAS GOT GI 6HM25 69 A2	Hood revos basic made of aluminum, for single locking lever with nozzleM25 on the top, high version, 6-poles
73.352.0635.3	Hood BAS GOT GI 6HM25 A3	Hood revos basic made of aluminum, for single locking lever with trumpet gland M25 on the top (IP54), high version, 6-poles
73.353.0635.0	Hood BAS GOT GG 6HM32 69 A0	Hood revos basic made of aluminum, for single locking lever with cable gland M32 on the right side (IP54), high version, 6-poles
73.353.0635.1	Hood BAS GOT GG 6HM32 69 A1	Hood revos basic made of aluminum, for single locking lever with threaded hole M32 on the right side, high version, 6-poles
73.353.0635.2	Hood BAS GOT GG 6HM32 69 A2	Hood revos basic made of aluminum, for single locking lever with nozzleM32 on the right side, high version, 6-poles
73.353.0635.3	Hood BAS GOT GG 6HM32 A3	Hood revos basic made of aluminum, for single locking lever with trumpet gland M32 on the right side (IP54), high version, 6-poles
73.354.0635.0	Hood BAS GOT GI 6HM32 69 A0	Hood revos basic made of aluminum, for single locking lever with cable gland M32 on the top (IP54), high version, 6-poles
73.354.0635.1	Hood BAS GOT GI 6HM32 69 A1	Hood revos basic made of aluminum, for single locking lever with threaded hole M32 on the top, high version, 6-poles
73.354.0635.2	Hood BAS GOT GI 6HM32 69 A2	Hood revos basic made of aluminum, for single locking lever with nozzleM32 on the top, high version, 6-poles
73.354.0635.3	Hood BAS GOT GI 6HM32 A3	Hood revos basic made of aluminum, for single locking lever with trumpet gland M32 on the top (IP54), high version, 6-poles
70.320.0628.0	Bottom BAS GUT GK 6 A	Bottom-base revos basic made of aluminum, with single locking lever, open, low version, 6-poles
70.325.0628.0	Bottom BAS GUT GP 6 A	Bottom-base revos basic made of aluminum, with single locking lever and protective cover, open, low version, 6-poles
70.330.0635.0	Bottom BAS GUT GL 6 M20 A0	Bottom-base revos basic made of aluminum, with single locking lever and cable gland M20 on the right and left side (IP54), low version, 6-polig
70.330.0635.1	Bottom BAS GUT GL 6 M20 A1	Bottom-base revos basic made of aluminum, with single locking lever and threaded hole M20 on the right and left side, low version, 6-polig
70.331.0635.0	Bottom BAS GUT GM 6 M20 A0	Bottom-base revos basic made of aluminum, with single locking lever and cable gland M20 on the left side (IP54), low version, 6-polig
70.331.0635.1	Bottom BAS GUT GM 6 M20 A1	Bottom-base revos basic made of aluminum, with single locking lever and threaded hole M20 on the left side, low version, 6-polig
70.332.0635.0	Bottom BAS GUT GN 6 M20 A0	Bottom-base revos basic made of aluminum, with single locking lever and cable gland M20 on the right side (IP54), low version, 6-polig
70.332.0635.1	Bottom BAS GUT GN 6 M20 A1	Bottom-base revos basic made of aluminum, with single locking lever and threaded hole M20 on the right side, low version, 6-polig
70.333.0635.0	Bottom BAS GUT GO 6 M20 A0	Bottom-base revos basic made of aluminum, with single locking lever and cable gland M20 on the bottom (IP54), low version, 6-polig

70.333.0635.1	Bottom BAS GUT GO 6 M20 A1	Bottom-base revos basic made of aluminum, with single locking lever and threaded hole M20 on the bottom, low version, 6-polig
70.334.0635.0	Bottom BAS GUT GL 6 M25 A0	Bottom-base revos basic made of aluminum, with single locking lever and cable gland M25 on the right and left side (IP54), low version, 6-polig
70.334.0635.1	Bottom BAS GUT GL 6 M25 A1	Bottom-base revos basic made of aluminum, with single locking lever and threaded hole M25 on the right and left side, low version, 6-polig
70.335.0635.0	Bottom BAS GUT GM 6 M25 50 A0	Bottom-base revos basic made of aluminum, with single locking lever and cable gland M25 on the left side (IP54), low version, 6-polig
70.335.0635.1	Bottom BAS GUT GM 6 M25 A1	Bottom-base revos basic made of aluminum, with single locking lever and threaded hole M25 on the left side, low version, 6-polig
70.337.0635.1	Bottom BAS GUT GO 6 M25 A1	Bottom-base revos basic made of aluminum, with single locking lever and threaded hole M25 on the bottom, low version, 6-poles
70.340.0635.0	Bottom BAS GUT GR 6 M20 A0	Bottom-base revos basic made of aluminum, with single locking lever and cable gland M20 on the right and the left side, with protective cover (IP54), low version, 6-polig
70.340.0635.1	Bottom BAS GUT GR 6 M20 A1	Bottom-base revos basic made of aluminum, with single locking lever and threaded hole M20 on the right and the left side, with protective cover, low version, 6-polig
70.341.0635.0	Bottom BAS GUT GS 6 M20 A0	Bottom-base revos basic made of aluminum, with single locking lever and cable gland M20 on the left side, with protective cover (IP54), low version, 6-polig
70.341.0635.1	Bottom BAS GUT GS 6 M20 A1	Bottom-base revos basic made of aluminum, with single locking lever and threaded hole M20 on the left side, with protective cover, low version, 6-polig
70.342.0635.0	Bottom BAS GUT GT 6 M20 A0	Bottom-base revos basic made of aluminum, with single locking lever and cable gland M20 on the right side, with protective cover (IP54), low version, 6-polig
70.342.0635.1	Bottom BAS GUT GT 6 M20 A1	Bottom-base revos basic made of aluminum, with single locking lever and threaded hole M20 on the right side, with protective cover, low version, 6-polig
70.343.0635.0	Bottom BAS GUT GU 6 M20 A0	Bottom-base revos basic made of aluminum, with single locking lever and cable gland M20 on the bottom, with protective cover (IP54), low version, 6-polig
70.343.0635.1	Bottom BAS GUT GU 6 M20 A1	Bottom-base revos basic made of aluminum, with single locking lever and threaded hole M20 on the bottom, with protective cover, low version, 6-polig
70.420.0637.0	Bottom BAS GUM GK 6 B	Bottom-base revos basic metal-series without coating, open, low version, 6-poles
70.425.0637.0	Bottom BAS GUM GP 6 B	Bottom-base revos basic metal-series without coating, with single locking lever and protective cover, low version, 6-poles
70.430.0637.1	Bottom BAS GUM GL 6 M20 B1	Bottom-base revos basic metal-series without coating, with single locking lever and threaded hole M20 on the right and left side, low version, 6-polig
70.431.0637.1	Bottom BAS GUM GM 6 M20 B1	Bottom-base revos basic metal-series without coating, with single locking lever and threaded hole M20 on the left side, low version, 6-polig
70.440.0637.1	Bottom BAS GUM GR 6 M20 B1	Bottom-base revos basic metal-series without coating, with single locking lever and threaded hole M20 on the right and the left side, with protective cover, low version, 6-polig
70.441.0637.1	Bottom BAS GUM GS 6 M20 B1	Bottom-base revos basic metal-series without coating, with single locking lever and threaded hole M20 on the left side, with protective cover, low version, 6-polig
73.330.0635.0	Bottom BAS GUT GL 6HM25 69 A0	Bottom-base revos basic made of aluminum, with single locking lever and cable gland M25 on the right and left side (IP54), high version, 6-polig

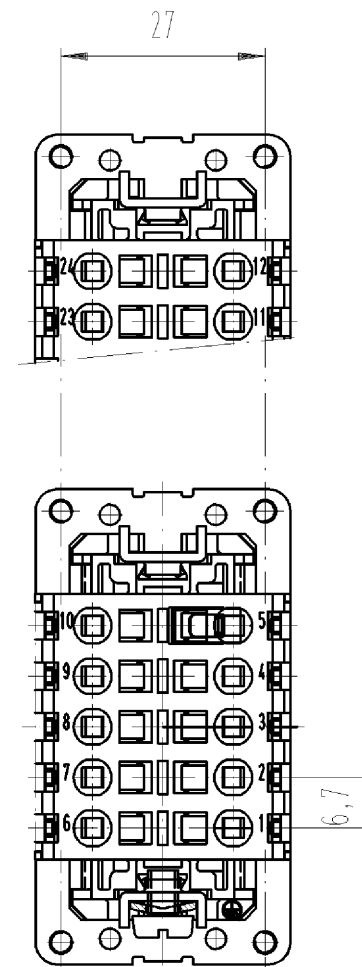
73.330.0635.1	Bottom BAS GUT GL 6HM25 69 A1	Bottom-base revos basic made of aluminum, with single locking lever and threaded hole M25 on the right and left side, high version, 6-polig
73.331.0635.0	Bottom BAS GUT GM 6HM25 69 A0	Bottom-base revos basic made of aluminum, with single locking lever and cable gland M25 on the left side (IP54), high version, 6-polig
73.331.0635.1	Bottom BAS GUT GM 6HM25 69 A1	Bottom-base revos basic made of aluminum, with single locking lever and threaded hole M25 on the left side, high version, 6-polig
73.334.0635.0	Bottom BAS GUT GL 6HM32 69 A0	Bottom-base revos basic made of aluminum, with single locking lever and cable gland M32 on the right and left side (IP54), high version, 6-polig
73.334.0635.1	Bottom BAS GUT GL 6HM32 69 A1	Bottom-base revos basic made of aluminum, with single locking lever and threaded hole M32 on the right and left side, high version, 6-polig
73.335.0635.1	Bottom BAS GUT GM 6HM32 69 A1	Bottom-base revos basic made of aluminum, with single locking lever and threaded hole M32 on the left side, high version, 6-polig
73.340.0635.0	Bottom BAS GUT GR 6HM25 69 A0	Bottom-base revos basic made of aluminum, with single locking lever and cable gland M25 on the right and the left side, with protective cover (IP54), high version, 6-polig
73.340.0635.1	Bottom BAS GUT GR 6HM25 69 A1	Bottom-base revos basic made of aluminum, with single locking lever and threaded hole M25 on the right and the left side, with protective cover, high version, 6-polig
73.341.0635.0	Bottom BAS GUT GS 6HM25 69 A0	Bottom-base revos basic made of aluminum, with single locking lever and cable gland M25 on the left side, with protective cover (IP54), high version, 6-polig
73.341.0635.1	Bottom BAS GUT GS 6HM25 69 A1	Bottom-base revos basic made of aluminum, with single locking lever and threaded hole M25 on the left side, with protective cover, high version, 6-polig
73.342.0635.0	Bottom BAS GUT GT 6HM25 69 A0	Bottom-base revos basic made of aluminum, with single locking lever and cable gland M25 on the right side, with protective cover (IP54), high version, 6-polig
73.342.0635.1	Bottom BAS GUT GT 6HM25 69 A1	Bottom-base revos basic made of aluminum, with single locking lever and threaded hole M25 on the right side, with protective cover, high version, 6-polig
73.344.0635.1	Bottom BAS GUT GR 6HM32 69 A1	Bottom-base revos basic made of aluminum, with single locking lever and threaded hole M32 on the right and the left side, with protective cover, high version, 6-polig
73.345.0635.1	Bottom BAS GUT GS 6HM32 69 A1	Bottom-base revos basic made of aluminum, with single locking lever and threaded hole M32 on the left side, with protective cover, high version, 6-polig
73.346.0635.1	Bottom BAS GUT GT 6HM32 69 A1	Bottom-base revos basic made of aluminum, with single locking lever and threaded hole M32 on the right side, with protective cover, high version, 6-polig
70.110.0653.3	Multipole adapter BAS SAS LL 6 4,0 50	Multipole adapter revos BASIC 500V/16A screw connection 6 pole + ground, long design, male insert, ground left
70.110.0653.4	Multipole adapter BAS SAS KL 6 4,0 50	Multipole adapter revos BASIC 500V/16A screw connection 6 pole + ground, short design, male insert, ground left
70.115.0653.3	Multipole adapter BAS SAS LR 6 4,0 50	Multipole adapter revos BASIC 500V/16A screw connection 6 pole + ground, long design, male insert, ground right
70.115.0653.4	Multipole adapter BAS SAS KR 6 4,0 50	Multipole adapter revos BASIC 500V/16A screw connection 6 pole + ground, short design, male insert, ground right
70.111.0653.0	Multipole adapter BAS SAF KL 6 2,5 50	Multipole adapter revos BASIC 500V/16A spring clamp connection 6 pole + ground, short design, male insert, ground left
70.116.0653.0	Multipole adapter BAS SAF KR 6 2,5 50	Multipole adapter revos BASIC 500V/16A spring clamp connection 6 pole + ground, short design, male insert, ground right
70.310.0602.0	Male insert BAS BUS OD 6 2,5 50	Female insert revos basic, 6-poles, rated current: 16A, rated voltage: 500V, with tin-plated contacts
70.310.0640.0	Male insert BAS STS 6 2,5 50	Male insert revos basic, 6-poles, rated current: 16A, rated voltage: 500V, with tin-plated contacts

70.311.0640.0	Male insert BAS STS 6 2,5 50 AU	Male insert revos basic, 6-poles, rated current: 16A, rated voltage: 500V, with gold-plated contacts
70.312.0640.0	Male insert BAS STS OD 6 2,5 50	Male insert revos basic, 6-poles, rated current: 16A, rated voltage: 500V, with tin-plated contacts
70.415.0653.0	Male insert BAS STP 6 2,5 50 AG	Male insert revos basic, 6-poles, rated current: 16A, rated voltage: 500V, with silver-plated contacts



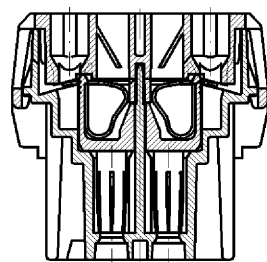
Aufdruck für 10 und 16-polig
print for 10 and 16-pole

Aufdruck für 6 und 24-polig
print for 6 and 24-pole



mit Federkraftanschluß
with spring connection

dargestellt: 10-polig
pictured: 10-pole



^a Weitere Daten siehe Katalog
further data see catalog

Teile - Nr. part no.	Typ type	L	l	Aufdruck, schwarz black printed
70.500.0653.0	BAS BUF 6 2,5 50	49.8	44	70.500.0653
70.500.1053.0	BAS BUF 10 2,5 50	62.8	57	70.500.1053
70.500.1653.0	BAS BUF 16 2,5 50	83.3	77.5	70.500.1653
70.500.1653.3	BAS BUF SB 16 2,5 50	83.3	77.5	70.500.1653.3
70.500.2453.0	BAS BUF 24 2,5 50	109.8	104	70.500.2453
70.500.2453.3	BAS BUF SB 24 2,5 50	109.8	104	70.500.2453.3

Montageanleitung in jeder Verpackung
assembly instruction in every package

Freitoleranz nach		CAD - Zeichnung, keine manuellen Änderungen			1. Verwendung: -		Bl.: 1 von 1	
	/	Maßstab	Werkstoff und Oberfläche:		2003	Tag	Name	
	/	1:1	Farbe: kieselgrau colour: pebble grey		Entworfen	09.07.	Bauer F.	
	/				Geprüft	-		
	/	Vol.	mm ³	Ofl.	mm ²	Normgepr.	-	Ersatz für: -
	/					Benennung		
a	23.04.2004/					BUCHSENE INSATZ		
Buchstabe	Datum / Blatt					SOCKET INSERT		
Änderung						2,5qmm 500V 16A		

○ Diese Maße werden bei Abnahme besonders geprüft
○ Ausschließlich Prüfmaß
○ Mit /E gekennzeichnete Maße sind nur für interne Zwecke gültig

Weitergabe sowie Vervielfältigung dieses Dokuments, Verwertung und Mitteilung seines Inhalts sind verboten, soweit nicht ausdrücklich gestattet.
The reproduction, distribution and utilization of this document as well as the communication of its contents to others without express authorization is prohibited.

705000653001K_4_CADW100_Schnitt 2004-04-23T08:33:24 1.000