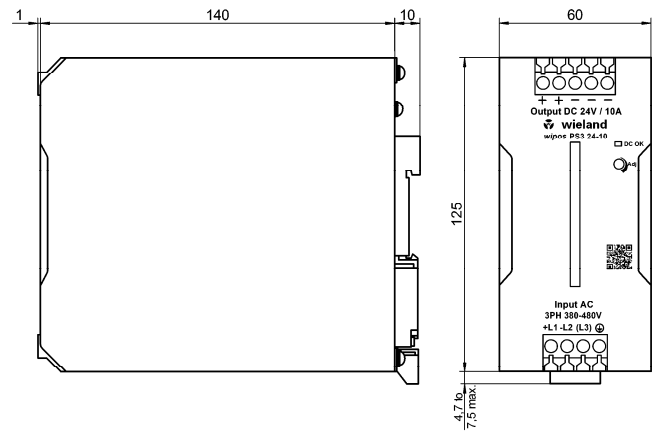
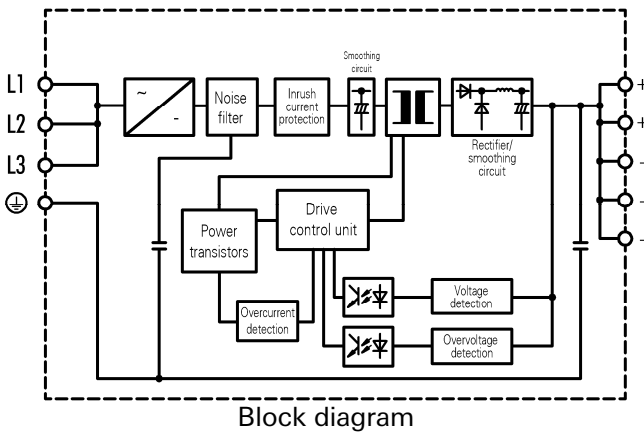




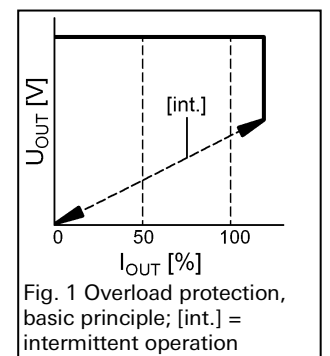
wipos PS3 24-10
Switching power supply
24 V DC/10 A
81.000.6570.0

- Primary switching power supply, three phase
- Output: 24 V DC/10 A (adjustable 22.5 – 29.5 V DC)
- Input: 320 - 576 V AC; 450 - 810 V DC
- Full load up to 60 °C
- Vertical mount



Technical Data

wipos PS3 24-10	Part number: 81.000.6570.0
Input (+L1, -L2, L3)	
Rated voltage AC	3PH 380 ... 480 V AC
Voltage range AC	3PH 320 ... 576 V AC
Line frequency AC	47 ... 63 Hz
Input voltage range DC	450 ... 810 V DC
Rated input current 3~400 V AC typ.	0.69 A
Inrush current 3~400 V AC max.	28 A
Output (+, -)	
Rated output power	240 W
Rated output voltage	24 V DC
Rated output current	10 A DC
Operation indicator Output voltage	"DC OK", LED green Display range ($U_o \geq 19.4$)
Output voltage trim range	22.5 V ... 29.5 V
Overload protection	> 130 % (see Fig. 1 Overload protection)
Power boost function	120 %, max. 10 s
Efficiency typ.	89 %
Line regulation	± 0.5 %
Load regulation	± 1.5 %
Temperature coefficient	± 0.05 %/K
Ripple & noise	< 190 mV _{ss}
Hold up time 3~400 V AC	> 20 ms



Technical Data

wipos PS3 24-10		Part number: 81.000.6570.0
General data		
Isolation voltage (input/output)	3000 V AC/4242 V DC	
Isolation resistance (input/output)	100 MOhm	
Operating ambient temperature	-40 °C ... +70 °C (UL: max. 40 °C)	
Storage temperature	-40 °C ... +85 °C	
Derating	A. Standard mounting B. Face-up mounting, max. 480 V AC or max. 678 V DC C. Face-up mounting, max. 576 V AC or max. 810 V DC (see Fig. 2 Derating)	
Humidity in operation	0 - 95 % RH, non-condensing	
Ventilation/Cooling	free air convection	
MTBF	350,000 h	
Pollution degree	2	
Degree of protection	IP 20	
Safety class	1	
Mounting	DIN rail 35 mm (EN 60715)	
Mounting conditions (free space)	20 mm horizontal, 75 mm vertical	
Dimensions (W x H x D)	60 x 125 x 150 mm	
Weight	1,000 g	
Housing material	Metal	
Connections		
Connector cross section input	solid/stranded	0.35 - 6 mm ² /0.35 - 4 mm ² (AWG22 - 10/AWG22 - 12)
Connector cross section output	solid/stranded	2.5 - 6 mm ² /2.5 - 4 mm ² (AWG14 - 10/AWG14 - 12)
Connector cross section PE	solid/stranded	min. 2.5 mm ² (AWG14)
Strip length	8 - 10 mm	
Torque	0.5 ... 0.6 Nm	
Approvals and Standards		
Standards	SELV: EN50178 PELV: EN50178 / EN60204-1	
Approvals	CE / cULus / LR	
Control elements		
ADJ	Trimmer potentiometer for U _o adjustment	
Terminal assignment		
+	2 x output voltage 24 V, positive output terminal (internally connected)	
-	3 x output voltage 24 V, negative output terminal (internally connected)	
+L1, -L2, (L3)	AC: phase conductor, DC: positive terminal at +L1, negative terminal at -L2	
⊕ (PE)	PE (Ground), always connect	

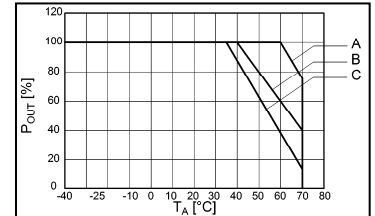


Fig. 2 Derating

- A. Standard mounting
- B. Face-up mounting, max. 480 V AC/678 V DC
- C. Face-up mounting, max. 576 V AC/810 V DC