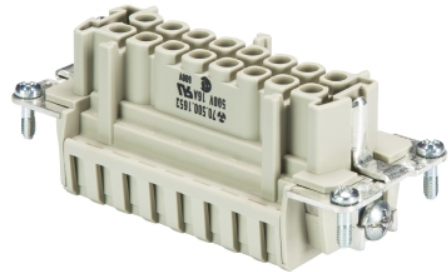


Data sheet

Commercial Art.No.: 70.500.1653.0

Female insert BAS BUF 16 2,5 50

Female insert revos basic, 16-poles, rated current: 16A, rated voltage:500V, with silver-plated contacts



Commercial Art.No.	70.500.1653.0
EAN	4015573324176
Order Unit	10

Certificates / Approvals



Technical data

General

Model	Female insert
Inflammability class of insulation material acc. with UL94	V2
Color	Grey
Mating cycles	500
Pollution degree	3
Modular version	No
Operating temperature range min.	-40 °C
Operating temperature range max.	120 °C

Connection Data

Connection type	spring clamp connection
Number of poles	16
Plus switching contacts	0
Number of pole for rated current 2	0
Number of pole for rated current 3	0
Total number of poles (without ground contact)	16
With wire protection	yes
Min. conductor diameter rigid (solid/stranded)	0.5 mm ²
Max. conductor diameter rigid (solid/stranded)	2.5 mm ²
Protective contact	yes

Technical Data UL/CSA

Rated voltage according to UL/CSA	600 V
Rated current according UL	16 A
Rated current according CSA	16 A
Min. conductor cross section flexible wire	0.14 mm ²
Max. conductor cross section flexible wire	2.5 mm ²

Conductor cross section flexible AWG wire	26-12 AWG
---	-----------

Model

With housing	No
--------------	----

Contacts

Contact material	Copper alloy
Surface	Silver-plated
Contact resistance	≤ 3 mOhm
Wire strip length	7 mm

Screws head design/recomm. Torque

Mounting screws	H1/0.5-0.7 Nm
Ground conductor screws	H2/1.2-1.6 Nm

Technical Data DIN EN 61984

Nominal voltage	500 V
Rated voltage face/ground	500 V
Nominal current	16 A
Rated impulse voltage	6 kV

Classification

ECLASS 11	
ECLASS 8.1	27440205
ETIM 7.0	EC000438
ETIM 6.0	EC000438
ETIM 5.0	EC000438
ETIM 4.0	EC000438

Product compliance

ROHS conformity status	Compliant/Exempted
ROHS exceptions	III-6(c)
REACH-SVHC conformity status	Duty-To-Declare
REACH-SVHC substances	Lead
REACH-SVHC CAS numbers	7439-92-1

Accessories

Commercial Art.No.:	Article-type description:	Description:
06.502.4000.0	screwdriver DIN 5264 A 0,6 x 3,5	Screw driver according to DIN 5264 A, blade: 0.6x3.5 mm, long and straight version

Fits with

Commercial Art.No.:	Article-type description:	Description:
70.950.1653.3	Multipole adapter set BAS GAZSHLS16 4,0 50	Multipole adapter revos BASIC 500V/16A with base, screw connection 16 pole + ground, long design, male insert, ground left, double locking lever

70.950.1653.4	Multipole adapter set BAS GAZSNLS16 4,0 50	Multipole adapter revos BASIC 500V/16A with base, screw connection 16 pole + ground, short design, male insert, ground left, double locking lever
70.955.1653.3	Multipole adapter set BAS GAZSHRS16 4,0 50	Multipole adapter revos BASIC 500V/16A with base, screw connection 16 pole + ground, long design, male insert, ground right, double locking lever
70.510.1653.0	Male insert BAS STF 16 2,5 50	Male insert revos basic, 16-poles, rated current: 16A, rated voltage: 500V, with tin-plated contacts
70.512.1653.0	Male insert BAS STM 16 2,5 50 AG	Male insert revos basic, 16-poles, rated current: 16A, rated voltage: 500V, with silver-plated contacts
70.710.1658.0	Male insert BAS STC 16 50	Male insert revos basic, 16-poles, rated current: 16A, rated voltage: 500V, with tin-plated contacts
71.350.1635.0	Hood BAS GOT GG 16 M25 A0	Hood revos basic made of aluminum, for single locking lever with cable gland M25 on the right side (IP54), low version, 16-poles
71.350.1635.1	Hood BAS GOT GG 16 M25 A1	Hood revos basic made of aluminum, for single locking lever with threaded hole M25 on the right side, low version, 16-poles
71.350.1635.2	Hood BAS GOT GG 16 M25 A2	Hood revos basic made of aluminum, for single locking lever with nozzleM25 on the right side, low version, 16-poles
71.350.1635.3	Hood BAS GOT GG 16 M25 A3	Hood revos basic made of aluminum, for single locking lever with trumpet gland M25 on the right side (IP54), low version, 16-poles
71.352.1635.0	Hood BAS GOT GI 16 M25 A0	Hood revos basic made of aluminum, for single locking lever with cable gland M25 on the top (IP54), low version, 16-poles
71.352.1635.1	Hood BAS GOT GI 16 M25 A1	Hood revos basic made of aluminum, for single locking lever with threaded hole M25 on the top, low version, 16-poles
71.352.1635.2	Hood BAS GOT GI 16 M25 A2	Hood revos basic made of aluminum, for single locking lever with nozzleM25 on the top, low version, 16-poles
71.352.1635.3	Hood BAS GOT GI 16 M25 A3	Hood revos basic made of aluminum, for single locking lever with trumpet gland M25 on the top (IP54), low version, 16-poles
71.353.1635.0	Hood BAS GOT GG 16 M32 A0	Hood revos basic made of aluminum, for single locking lever with cable gland M32 on the right side (IP54), low version, 16-poles
71.353.1635.1	Hood BAS GOT GG 16 M32 A1	Hood revos basic made of aluminum, for single locking lever with threaded hole M32 on the right side, low version, 16-poles
71.353.1635.2	Hood BAS GOT GG 16 M32 A2	Hood revos basic made of aluminum, for single locking lever with nozzleM32 on the right side, low version, 16-poles
71.354.1635.0	Hood BAS GOT GI 16 M32 A0	Hood revos basic made of aluminum, for single locking lever with cable gland M32 on the top (IP54), low version, 16-poles
71.354.1635.1	Hood BAS GOT GI 16 M32 A1	Hood revos basic made of aluminum, for single locking lever with threaded hole M32 on the top, low version, 16-poles
71.354.1635.2	Hood BAS GOT GI 16 M32 A2	Hood revos basic made of aluminum, for single locking lever with nozzleM32 on the top, low version, 16-poles
71.354.1635.3	Hood BAS GOT GI 16 M32 A3	Hood revos basic made of aluminum, for single locking lever with trumpet gland M32 on the top (IP54), low version, 16-poles
71.372.1635.0	Hood BAS GOT GL 16 M25 A0	Hood revos basic made of aluminum, with single locking lever and cable gland M25 on the top - free cable connection (IP54), low version, 16-poles
71.372.1635.1	Hood BAS GOT GL 16 M25 A1	Hood revos basic made of aluminum, with single locking lever and threaded hole M25 on the top - free cable connection, low version, 16-poles
71.372.1635.3	Hood BAS GOT GL 16 M25 A3	Hood revos basic made of aluminum, with single locking lever and trumpet gland M25 on the top - free cable connection (IP54), low version, 16-poles
71.450.1637.1	Hood BAS GOM GG16 M25 B1	Hood revos basic metal-series without coating, for single locking lever with threaded hole M25 on the right side, low version, 16-poles
71.452.1637.1	Hood BAS GOM GI16 M25 B1	Hood revos basic metal-series without coating, for single locking lever with threaded hole M25 on the top, low version, 16-poles

76.350.4035.0	Hood BAS GOT GG 40HM25 50 A0	Hood revos basic made of aluminum, for single locking lever with cable gland M25 on the right side (IP54), low version, 40-poles
76.350.4035.1	Hood BAS GOT GG 40HM25 50 A1	Hood revos basic made of aluminum, for single locking lever with threaded hole M25 on the right side, low version, 40-poles
76.350.4035.2	Hood BAS GOT GG 40HM25 50 A2	Hood revos basic made of aluminum, for single locking lever with nozzleM25 on the right side, low version, 40-poles
76.350.4035.3	Hood BAS GOT GG 16H M25 A3	Hood revos basic made of aluminum, for single locking lever with trumpet gland M25 on the right side (IP54), low version, 16-poles
76.351.1635.1	Hood BAS GOT GH 16H M20 A1	Hood revos basic made of aluminum, for single locking lever with threaded hole M20 on the front, low version, 16-poles
76.351.1635.3	Hood BAS GOT GH 10H M20 A3	Hood revos basic made of aluminum, for single locking lever with trumpet gland M20 on the front (IP54), low version, 10-poles
76.352.4035.0	Hood BAS GOT GI 40HM25 50 A0	Hood revos basic made of aluminum, for single locking lever with cable gland M25 on the top (IP54), low version, 40-poles
76.352.4035.1	Hood BAS GOT GI 16HM25 A1	Hood revos basic made of aluminum, for single locking lever with threaded hole M25 on the top, low version, 16-poles
76.352.4035.3	Hood BAS GOT GI 16H M25 A3	Hood revos basic made of aluminum, for single locking lever with trumpet gland M25 on the top (IP54), low version, 16-poles
76.353.4035.0	Hood BAS GOT GG 40HM32 50 A0	Hood revos basic made of aluminum, for single locking lever with cable gland M32 on the right side (IP54), low version, 40-poles
76.353.4035.1	Hood BAS GOT GG 16HM32 A1	Hood revos basic made of aluminum, for single locking lever with threaded hole M32 on the right side, low version, 16-poles
76.353.4035.2	Hood BAS GOT GG 40HM32 50 A2	Hood revos basic made of aluminum, for single locking lever with nozzleM32 on the right side, low version, 40-poles
76.353.4035.3	Hood BAS GOT GG 16H M32 A3	Hood revos basic made of aluminum, for single locking lever with trumpet gland M32 on the right side (IP54), low version, 16-poles
76.354.4035.0	Hood BAS GOT GI 40HM32 50 A0	Hood revos basic made of aluminum, for single locking lever with cable gland M32 on the top (IP54), low version, 40-poles
76.354.4035.1	Hood BAS GOT GI 40HM32 50 A1	Hood revos basic made of aluminum, for single locking lever with threaded hole M32 on the top, low version, 40-poles
76.354.4035.3	Hood BAS GOT GI 16H M32 A3	Hood revos basic made of aluminum, for single locking lever with trumpet gland M32 on the top (IP54), low version, 16-poles
76.360.4035.0	Hood BAS GOT GG 16H M40 A0	Hood revos basic made of aluminum, for single locking lever with cable gland M40 on the right side (IP54), low version, 16-poles
76.360.4035.1	Hood BAS GOT GG 40HM40 50 A1	Hood revos basic made of aluminum, for single locking lever with threaded hole M40 on the right side, low version, 40-poles
76.362.4035.1	Hood BAS GOT GI 40HM40 50 A1	Hood revos basic made of aluminum, for single locking lever with threaded hole M40 on the top, low version, 40-poles
76.374.4035.0	Hood BAS GOT GL 40HM32 50 A0	Connectors for free cable connections revos basic made of aluminum, with single locking lever and cable gland M32 on the top - free cable connection (IP54), 40-poles
71.320.1628.0	Bottom BAS GUT GK 16 A	Bottom-base revos basic made of aluminum, with single locking lever, open, low version, 16-poles
71.325.1628.0	Bottom BAS GUT GP 16 A	Bottom-base revos basic made of aluminum, with single locking lever, open, low version, 16-poles
71.330.1635.0	Bottom BAS GUT GL 16 M25 A0	Bottom-base revos basic made of aluminum, with single locking lever and cable gland M25 on the right and left side (IP54), low version, 16-polig
71.330.1635.1	Bottom BAS GUT GL 16 M25 A1	Bottom-base revos basic made of aluminum, with single locking lever and threaded hole M25 on the right and left side, low version, 16-polig
71.331.1635.0	Bottom BAS GUT GM 16 M25 A0	Bottom-base revos basic made of aluminum, with single locking lever and cable gland M25 on the left side (IP54), low version, 16-polig
71.331.1635.1	Bottom BAS GUT GM 16 M25 A1	Bottom-base revos basic made of aluminum, with single locking lever and threaded hole M25 on the left side, low version, 16-polig
71.333.1635.0	Bottom BAS GUT GO 16 M25 A0	Bottom-base revos basic made of aluminum, with single locking lever and cable gland M25 on the bottom (IP54), low version, 16-polig

71.333.1635.1	Bottom BAS GUT GO 16 M25 A1	Bottom-base revos basic made of aluminum, with single locking lever and threaded hole M25 on the bottom, low version, 16-polig
71.340.1635.0	Bottom BAS GUT GR 16 M25 A0	Bottom-base revos basic made of aluminum, with single locking lever and cable gland M25 on the right and the left side, with protective cover (IP54), low version, 16-polig
71.340.1635.1	Bottom BAS GUT GR 16 M25 A1	Bottom-base revos basic made of aluminum, with single locking lever and threaded hole M25 on the right and the left side, with protective cover, low version, 16-polig
71.341.1635.0	Bottom BAS GUT GS 16 M25 A0	Bottom-base revos basic made of aluminum, with single locking lever and cable gland M25 on the left side, with protective cover (IP54), low version, 16-polig
71.341.1635.1	Bottom BAS GUT GS 16 M25 A1	Bottom-base revos basic made of aluminum, with single locking lever and threaded hole M25 on the left side, with protective cover, low version, 16-polig
71.342.1635.0	Bottom BAS GUT GT 16 M25 A0	Bottom-base revos basic made of aluminum, with single locking lever and cable gland M25 on the right side, with protective cover (IP54), low version, 16-polig
71.342.1635.1	Bottom BAS GUT GT 16 M25 A1	Bottom-base revos basic made of aluminum, with single locking lever and threaded hole M25 on the right side, with protective cover, low version, 16-polig
71.343.1635.0	Bottom BAS GUT GU 16 M25 A0	Bottom-base revos basic made of aluminum, with single locking lever and cable gland M25 on the bottom, with protective cover (IP54), low version, 16-polig
71.343.1635.1	Bottom BAS GUT GU 16 M25 A1	Bottom-base revos basic made of aluminum, with single locking lever and threaded hole M25 on the bottom, with protective cover, low version, 16-polig
71.420.1637.0	Bottom BAS GUM GK 16 B	Bottom-base revos basic metal-series without coating, open, low version, 16-poles
71.425.1637.0	Bottom BAS GUM GP 16 B	Bottom-base revos basic metal-series without coating, with single locking lever and protective cover, low version, 16-poles
71.430.1637.1	Bottom BAS GUM GL 16 M25 B1	Bottom-base revos basic metal-series without coating, with single locking lever and threaded hole M25 on the right and left side, low version, 16-polig
71.431.1637.1	Bottom BAS GUM GM 16 M25 B1	Bottom-base revos basic metal-series without coating, with single locking lever and threaded hole M25 on the left side, low version, 16-polig
71.440.1637.1	Bottom BAS GUM GR 16 M25 B1	Bottom-base revos basic metal-series without coating, with single locking lever and threaded hole M25 on the right and the left side, with protective cover, low version, 16-polig
71.441.1637.1	Bottom BAS GUM GS 16 M25 B1	Bottom-base revos basic metal-series without coating, with single locking lever and threaded hole M25 on the left side, with protective cover, low version, 16-polig
76.330.4035.0	Bottom BAS GUT GL 40HM25 50 A0	Bottom-base revos basic made of aluminum, with single locking lever and cable gland M25 on the right and left side (IP54), low version, 40-polig
76.330.4035.1	Bottom BAS GUT GL 40HM25 50 A1	Bottom-base revos basic made of aluminum, with single locking lever and threaded hole M25 on the right and left side, low version, 40-polig
76.331.4035.0	Bottom BAS GUT GM 40HM25 50 A0	Bottom-base revos basic made of aluminum, with single locking lever and cable gland M25 on the left side (IP54), low version, 40-polig
76.331.4035.1	Bottom BAS GUT GM 40HM25 50 A1	Bottom-base revos basic made of aluminum, with single locking lever and threaded hole M25 on the left side, low version, 40-polig
76.333.4035.0	Bottom BAS GUT GO 40HM25 50 A0	Bottom-base revos basic made of aluminum, with single locking lever and cable gland M25 on the bottom (IP54), low version, 40-polig
76.333.4035.1	Bottom BAS GUT GO 40HM25 50 A1	Bottom-base revos basic made of aluminum, with single locking lever and threaded hole M25 on the bottom, low version, 40-polig

76.334.4035.1	Bottom BAS GUT GL 40HM32 50 A1	Bottom-base revos basic made of aluminum, with single locking lever and threaded hole M32 on the right and left side, low version, 40-polig
76.335.4035.0	Bottom BAS GUT GM 40HM32 50 A0	Bottom-base revos basic made of aluminum, with single locking lever and cable gland M32 on the left side (IP54), low version, 40-polig
76.335.4035.1	Bottom BAS GUT GM 40HM32 50 A1	Bottom-base revos basic made of aluminum, with single locking lever and threaded hole M32 on the left side, low version, 40-polig
76.337.4035.1	Bottom BAS GUT GO 40HM32 50 A1	Bottom-base revos basic made of aluminum, with single locking lever and threaded hole M32 on the bottom, low version, 40-polig
76.340.4035.0	Bottom BAS GUT GR 40HM25 50 A0	Bottom-base revos basic made of aluminum, with single locking lever and cable gland M25 on the right and the left side, with protective cover (IP54), low version, 40-polig
76.340.4035.1	Bottom BAS GUT GR 40HM25 50 A1	Bottom-base revos basic made of aluminum, with single locking lever and threaded hole M25 on the right and the left side, with protective cover, low version, 40-polig
76.341.4035.0	Bottom BAS GUT GS 40HM25 50 A0	Bottom-base revos basic made of aluminum, with single locking lever and cable gland M25 on the left side, with protective cover (IP54), low version, 40-polig
76.341.4035.1	Bottom BAS GUT GS 40HM25 50 A1	Bottom-base revos basic made of aluminum, with single locking lever and threaded hole M25 on the left side, with protective cover, low version, 40-polig
76.344.4035.0	Bottom BAS GUT GR 40HM32 50 A0	Bottom-base revos basic made of aluminum, with single locking lever and cable gland M32 on the right and the left side, with protective cover (IP54), low version, 40-polig
76.344.4035.1	Bottom BAS GUT GR 40HM32 50 A1	Bottom-base revos basic made of aluminum, with single locking lever and threaded hole M32 on the right and the left side, with protective cover, low version, 40-polig
76.345.4035.0	Bottom BAS GUT GS 16HM32 A0	Bottom-base revos basic made of aluminum, with single locking lever and cable gland M32 on the left side, with protective cover (IP54), low version, 16-polig
76.345.4035.1	Bottom BAS GUT GS 40HM32 50 A1	Bottom-base revos basic made of aluminum, with single locking lever and threaded hole M32 on the left side, with protective cover, low version, 40-polig
76.346.4035.0	Bottom BAS GUT GT 40HM32 50 A0	Bottom-base revos basic made of aluminum, with single locking lever and cable gland M32 on the right side, with protective cover (IP54), low version, 40-polig
76.346.4035.1	Bottom BAS GUT GT 40HM32 50 A1	Bottom-base revos basic made of aluminum, with single locking lever and threaded hole M32 on the right side, with protective cover, low version, 40-polig
76.347.4035.0	Bottom BAS GUT GU 40HM32 50 A0	Bottom-base revos basic made of aluminum, with single locking lever and cable gland M32 on the bottom, with protective cover (IP54), low version, 40-polig
76.347.4035.1	Bottom BAS GUT GU 40HM32 50 A1	Bottom-base revos basic made of aluminum, with single locking lever and threaded hole M32 on the bottom, with protective cover, low version, 40-polig
70.350.1635.0	Hood BAS GOT GA 16 M25 A0	Hood revos basic made of aluminum, for double locking lever or screw cap with cable gland M25 on the right side (IP54), low version, 16-poles
70.350.1635.1	Hood BAS GOT GA 16 M25 A1	Hood revos basic made of aluminum, for double locking lever or screw cap with threaded hole M25 on the right side, low version, 16-poles
70.350.1635.2	Hood BAS GOT GA 16 M25 A2	Hood revos basic made of aluminum, for double locking lever or screw cap with nozzle M25 on the right side, low version, 16-poles
70.350.1635.3	Hood BAS GOT GA 16 M25 A3	Hood revos basic made of aluminum, for double locking lever or screw cap with trumpet gland M25 on the right side (IP54), low version, 16-poles

70.352.1635.0	Hood BAS GOT GC 16 M25 A0	Hood revos basic made of aluminum, for double locking lever or. screw cap with cable gland M25 on the top (IP54), low version, 16-poles
70.352.1635.1	Hood BAS GOT GC 16 M25 A1	Hood revos basic made of aluminum, for double locking lever or. screw cap with threaded hole M25 on the top, low version, 16-poles
70.352.1635.2	Hood BAS GOT GC 16 M25 A2	Hood revos basic made of aluminum, for double locking lever or. screw cap with nozzle M25 on the top, low version, 16-poles
70.352.1635.3	Hood BAS GOT GC 16 M25 A3	Hood revos basic made of aluminum, for double locking lever or. screw cap with trumpet gland M25 on the top (IP54), low version, 16-poles
70.353.1635.0	Hood BAS GOT GA 16 M32 A0	Hood revos basic made of aluminum, for double locking lever or. screw cap with cable gland M32 on the right side (IP54), low version, 16-poles
70.353.1635.1	Hood BAS GOT GA 16 M32 A1	Hood revos basic made of aluminum, for double locking lever or. screw cap with threaded hole M32 on the right side, low version, 16-poles
70.353.1635.2	Hood BAS GOT GA 16 M32 A2	Hood revos basic made of aluminum, for double locking lever or. screw cap with nozzle M32 on the right side, low version, 16-poles
70.353.1635.3	Hood BAS GOT GA 16 M32 A3	Hood revos basic made of aluminum, for double locking lever or. screw cap with trumpet gland M32 on the right side (IP54), low version, 16-poles
70.354.1635.0	Hood BAS GOT GC 16 M32 A0	Hood revos basic made of aluminum, for double locking lever or. screw cap with cable gland M32 on the top (IP54), low version, 16-poles
70.354.1635.1	Hood BAS GOT GC 16 M32 A1	Hood revos basic made of aluminum, for double locking lever or. screw cap with threaded hole M32 on the top, low version, 16-poles
70.354.1635.3	Hood BAS GOT GC 16 M32 A3	Hood revos basic made of aluminum, for double locking lever or. screw cap with trumpet gland M32 on the top (IP54), low version, 16-poles
70.355.1635.0	Hood BAS GOT GD 16 M25 A0	Hood revos basic made of aluminum, with double locking lever and cable gland M25 on the right side (IP54), low version, 16-poles
70.355.1635.1	Hood BAS GOT GD 16 M25 A1	Hood revos basic made of aluminum, with double locking lever and threaded hole M25 on the right side, low version, 16-poles
70.355.1635.2	Hood BAS GOT GD 16 M25 A2	Hood revos basic made of aluminum, with double locking lever and nozzle M25 on the right side, low version, 16-poles
70.355.1635.3	Hood BAS GOT GD 16 M25 A3	Hood revos basic made of aluminum, with double locking lever and trumpet gland M25 on the right side (IP54), low version, 16-poles
70.357.1635.0	Hood BAS GOT GF 16 M25 A0	Hood revos basic made of aluminum, with double locking lever and cable gland M25 on the top (IP54), low version, 16-poles
70.357.1635.1	Hood BAS GOT GF 16 M25 A1	Hood revos basic made of aluminum, with double locking lever and threaded hole M25 on the top, low version, 16-poles
70.357.1635.3	Hood BAS GOT GF 16 M25 A3	Hood revos basic made of aluminum, with double locking lever and trumpet gland M25 on the top (IP54), low version, 16-poles
70.358.1635.0	Hood BAS GOT GD 16 M32 A0	Hood revos basic made of aluminum, with double locking lever and cable gland M32 on the right side (IP54), low version, 16-poles
70.358.1635.1	Hood BAS GOT GD 16 M32 A1	Hood revos basic made of aluminum, with double locking lever and threaded hole M32 on the right side, low version, 16-poles
70.358.1635.3	Hood BAS GOT GD 16 M32 A3	Hood revos basic made of aluminum, with double locking lever and trumpet gland M32 on the right side (IP54), low version, 16-poles
70.359.1635.0	Hood BAS GOT GF 16 M32 A0	Hood revos basic made of aluminum, with double locking lever and cable gland M32 on the top (IP54), low version, 16-poles
70.359.1635.1	Hood BAS GOT GF 16 M32 A1	Hood revos basic made of aluminum, with double locking lever and threaded hole M32 on the top, low version, 16-poles
70.359.1635.3	Hood BAS GOT GF 16 M32 A3	Hood revos basic made of aluminum, with double locking lever and trumpet gland M32 on the top (IP54), low version, 16-poles

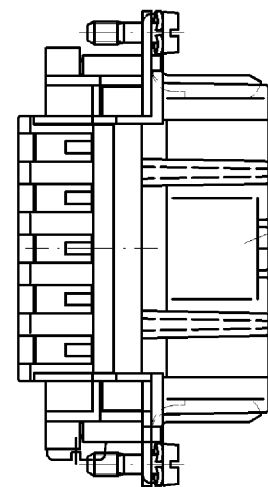
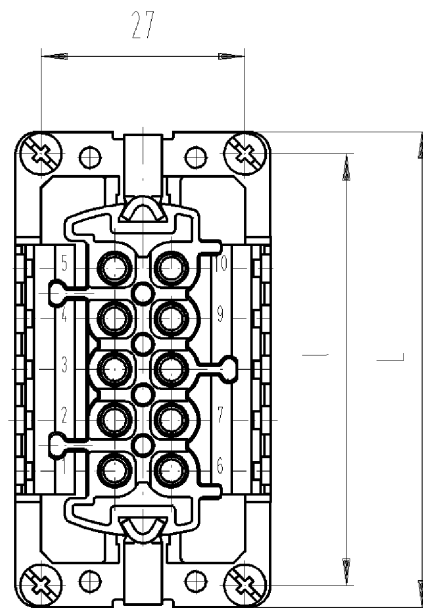
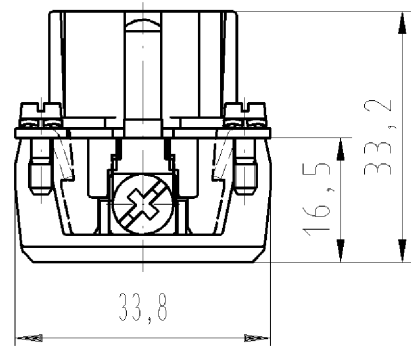
70.372.1635.0	Hood BAS GOT GK 16 M25 A0	Hood revos basic made of aluminum, with double locking lever and cable gland M25 on the top - free cable connection (IP54), low version, 16-poles
70.372.1635.1	Hood BAS GOT GK 16 M25 A1	Hood revos basic made of aluminum, with double locking lever and threaded hole M25 on the top - free cable connection, low version, 16-poles
70.372.1635.3	Hood BAS GOT GK 16 M25 A3	Hood revos basic made of aluminum, with double locking lever and trumpet gland M25 on the top - free cable connection (IP54), low version, 16-poles
72.250.1635.2	Hood POW GOT GA 16 M40 69 A2	Hood revos basic made of aluminum, for double locking lever or. screw cap with nozzle M40 on the right side, low version, 16-poles
73.350.4035.0	Hood BAS GOT GA 16HM25 50 A0	Hood revos basic made of aluminum, for double locking lever or. screw cap with cable gland M25 on the right side (IP54), low version, 16-poles
73.350.4035.1	Hood BAS GOT GA 16HM25 50 A1	Hood revos basic made of aluminum, for double locking lever or. screw cap with threaded hole M25 on the right side, low version, 16-poles
73.350.4035.2	Hood BAS GOT GA 16HM25 50 A2	Hood revos basic made of aluminum, for double locking lever or. screw cap with nozzle M25 on the right side, low version, 16-poles
73.350.4035.3	Hood BAS GOT GA 16H M25 A3	Hood revos basic made of aluminum, for double locking lever or. screw cap with trumpet gland M25 on the right side (IP54), low version, 16-poles
73.351.1635.1	Hood BAS GOT GB 16H M25 A1	Hood revos basic made of aluminum, for double locking lever and threaded hole M25 on the front, low version, 16-poles
73.351.1635.3	Hood BAS GOT GB 16H M25 A3	Hood revos basic made of aluminum, for double locking lever and trumpet gland M25 on the front (IP54), low version, 16-poles
73.352.4035.0	Hood BAS GOT GC 16HM25 50 A0	Hood revos basic made of aluminum, for double locking lever or. screw cap with cable gland M25 on the top (IP54), low version, 16-poles
73.352.4035.1	Hood BAS GOT GC 16HM25 50 A1	Hood revos basic made of aluminum, for double locking lever or. screw cap with threaded hole M25 on the top, low version, 16-poles
73.352.4035.2	Hood BAS GOT GC 16HM25 50 A2	Hood revos basic made of aluminum, for double locking lever or. screw cap with nozzle M25 on the top, low version, 16-poles
73.352.4035.3	Hood BAS GOT GC 16H M25 A3	Hood revos basic made of aluminum, for double locking lever or. screw cap with trumpet gland M25 on the top (IP54), low version, 16-poles
73.353.4035.0	Hood BAS GOT GA 40HM32 50 A0	Hood revos basic made of aluminum, for double locking lever or. screw cap with cable gland M32 on the right side (IP54), high version, 40-poles
73.353.4035.1	Hood BAS GOT GA 40HM32 50 A1	Hood revos basic made of aluminum, for double locking lever or. screw cap with threaded hole M32 on the right side, low version, 40-poles
73.353.4035.2	Hood BAS GOT GA 40HM32 50 A2	Hood revos basic made of aluminum, for double locking lever or. screw cap with nozzle M32 on the right side, low version, 40-poles
73.353.4035.3	Hood BAS GOT GA 16HM32 A3	Hood revos basic made of aluminum, for double locking lever or. screw cap with trumpet gland M32 on the right side (IP54), low version, 16-poles
73.354.4035.0	Hood BAS GOT GC 16HM32 50 A0	Hood revos basic made of aluminum, for double locking lever or. screw cap with cable gland M32 on the top (IP54), low version, 16-poles
73.354.4035.1	Hood BAS GOT GC 16HM32 50 A1	Hood revos basic made of aluminum, for double locking lever or. screw cap with threaded hole M32 on the top, low version, 16-poles
73.354.4035.2	Hood BAS GOT GC 16HM32 50 A2	Hood revos basic made of aluminum, for double locking lever or. screw cap with nozzle M32 on the top, low version, 16-poles
73.354.4035.3	Hood BAS GOT GC 16HM32 A2	Hood revos basic made of aluminum, for double locking lever or. screw cap with nozzle M32 on the top, low version, 16-poles

73.355.4035.1	Hood BAS GOT GD 16HM25 50 A1	Hood revos basic made of aluminum, with double locking lever and threaded hole M25 on the right side, low version, 16-poles
73.357.4035.0	Hood BAS GOT GF 16HM25 50 A0	Hood revos basic made of aluminum, with double locking lever and cable gland M25 on the top (IP54), low version, 16-poles
73.357.4035.1	Hood BAS GOT GF 16HM25 50 A1	Hood revos basic made of aluminum, with double locking lever and threaded hole M25 on the top, low version, 16-poles
73.357.4035.2	Hood BAS GOT GF 16HM25 50 A2	Hood revos basic made of aluminum, with double locking lever and nozzleM25 on the top, low version, 16-poles
73.358.4035.0	Hood BAS GOT GD 16HM32 50 A0	Hood revos basic made of aluminum, with double locking lever and cable gland M32 on the right side (IP54), low version, 16-poles
73.358.4035.1	Hood BAS GOT GD 16HM32 50 A1	Hood revos basic made of aluminum, with double locking lever and threaded hole M32 on the right side, low version, 16-poles
73.359.4035.0	Hood BAS GOT GF 16HM32 50 A0	Hood revos basic made of aluminum, with double locking lever and cable gland M32 on the top (IP54), low version, 16-poles
73.359.4035.1	Hood BAS GOT GF 16HM32 50 A1	Hood revos basic made of aluminum, with double locking lever and threaded hole M32 on the top, high version, 16-poles
73.359.4035.2	Hood BAS GOT GF 16HM32 50 A2	Hood revos basic made of aluminum, with double locking lever and nozzleM32 on the top, low version, 16-poles
73.359.4035.3	Hood BAS GOT GF 16HM32 A3	Hood revos basic made of aluminum, with double locking lever and trumpet gland M32 on the top (IP54), low version, 16-poles
73.360.4035.0	Hood BAS GOT GA 16HM40 A0	Hood revos basic made of aluminum, for double locking lever or screw cap with cable gland M40 on the right side (IP54), low version, 16-poles
73.360.4035.1	Hood BAS GOT GA 16HM40 50 A1	Hood revos basic made of aluminum, for double locking lever or screw cap with threaded hole M40 on the right side, low version, 16-poles
73.362.4035.1	Hood BAS GOT GC 16HM40 50 A1	Hood revos basic made of aluminum, for double locking lever or screw cap with threaded hole M40 on the top, low version, 16-poles
70.320.1628.0	Bottom BAS GUT GA 16 A	Bottom-base revos basic made of aluminum, with double locking lever or screw cap, low version, 16-poles
70.325.1628.0	Bottom BAS GUT GE 16 A	Bottom-base revos basic made of aluminum, for double locking lever and protective cover, open, low version, 16-poles
70.330.1635.0	Bottom BAS GUT GB 16 M25 A0	Bottom-base revos basic made of aluminum, with double locking lever or screw cap with cable gland M25 on the right and left side (IP54), low version, 16-polig
70.330.1635.1	Bottom BAS GUT GB 16 M25 A1	Bottom-base revos basic made of aluminum, with double locking lever or screw cap with threaded hole M25 on the right and left side, low version, 16-polig
70.331.1635.0	Bottom BAS GUT GC 16 M25 A0	Bottom-base revos basic made of aluminum, with double locking lever or screw cap with cable gland M25 on the left side (IP54), low version, 16-polig
70.331.1635.1	Bottom BAS GUT GC 16 M25 A1	Bottom-base revos basic made of aluminum, with double locking lever or screw cap with threaded hole M25 on the left side, low version, 16-polig
70.333.1635.0	Bottom BAS GUT GD 16 M25 A0	Bottom-base revos basic made of aluminum, with double locking lever or screw cap with cable gland M25 on the right side (IP54), low version, 16-polig
70.333.1635.1	Bottom BAS GUT GD 16 M25 A1	Bottom-base revos basic made of aluminum, with double locking lever or screw cap with threaded hole M25 on the right side, low version, 16-polig
70.340.1635.0	Bottom BAS GUT GF 16 M25 A0	Bottom-base revos basic made of aluminum, for double locking lever with cable gland M25 on the left and right side, with protective cover (IP54), low version, 16-polig
70.340.1635.1	Bottom BAS GUT GF 16 M25 A1	Bottom-base revos basic made of aluminum, for double locking lever with threaded hole M25 on the left and right side, with protective cover, low version, 16-polig

70.341.1635.0	Bottom BAS GUT GG 16 M25 A0	Bottom-base revos basic made of aluminum, with double locking lever and cable gland M25 on the left side, with protective cover (IP54), low version, 16-polig
70.341.1635.1	Bottom BAS GUT GG 16 M25 A1	Bottom-base revos basic made of aluminum, with double locking lever and threaded hole M25 on the left side, with protective cover, low version, 16-polig
70.342.1635.0	Bottom BAS GUT GH 16 M25 A0	Bottom-base revos basic made of aluminum, with double locking lever and cable gland M25 on the right side, with protective cover (IP54), low version, 16-polig
70.342.1635.1	Bottom BAS GUT GH 16 M25 A1	Bottom-base revos basic made of aluminum, with double locking lever and threaded hole M25 on the right side, with protective cover, low version, 16-polig
70.343.1635.0	Bottom BAS GUT GI 16 M25 A0	Bottom-base revos basic made of aluminum, with double locking lever and cable gland M25 on the bottom, with protective cover (IP54), low version, 16-polig
70.343.1635.1	Bottom BAS GUT GI 16 M25 A1	Bottom-base revos basic made of aluminum, with double locking lever and threaded hole M25 on the bottom, with protective cover, low version, 16-polig
73.330.4035.0	Bottom BAS GUT GB 16HM25 50 A0	Bottom-base revos basic made of aluminum, with double locking lever or screw cap with cable gland M25 on the right and left side (IP54), low version, 16-polig
73.330.4035.1	Bottom BAS GUT GB 16HM25 50 A1	Bottom-base revos basic made of aluminum, with double locking lever or screw cap with threaded hole M25 on the right and left side, low version, 16-polig
73.331.4035.0	Bottom BAS GUT GC 16HM25 50 A0	Bottom-base revos basic made of aluminum, with double locking lever or screw cap with cable gland M25 on the left side (IP54), low version, 16-polig
73.331.4035.1	Bottom BAS GUT GC 16M25 50 A1	Bottom-base revos basic made of aluminum, with double locking lever or screw cap with threaded hole M25 on the left side, low version, 16-polig
73.333.4035.0	Bottom BAS GUT GD 16HM25 50 A0	Bottom-base revos basic made of aluminum, with double locking lever or screw cap with cable gland M25 on the right side (IP54), low version, 16-polig
73.333.4035.1	Bottom BAS GUT GD 16HM25 50 A1	Bottom-base revos basic made of aluminum, with double locking lever or screw cap with threaded hole M25 on the right side, low version, 16-polig
73.334.4035.0	Bottom BAS GUT GB 16HM32 50 A0	Bottom-base revos basic made of aluminum, with double locking lever or screw cap with cable gland M32 on the right and left side (IP54), low version, 16-polig
73.334.4035.1	Bottom BAS GUT GB 16HM32 50 A1	Bottom-base revos basic made of aluminum, with double locking lever or screw cap with threaded hole M32 on the right and left side, low version, 16-polig
73.335.4035.0	Bottom BAS GUT GC 16HM32 50 A0	Bottom-base revos basic made of aluminum, with double locking lever or screw cap with cable gland M32 on the left side (IP54), high version, 6-poles
73.335.4035.1	Bottom BAS GUT GC 16HM32 50 A1	Bottom-base revos basic made of aluminum, with double locking lever or screw cap with threaded hole M32 on the left side, low version, 16-polig
73.337.4035.0	Bottom BAS GUT GD 16HM32 50 A0	Bottom-base revos basic made of aluminum, with double locking lever or screw cap with cable gland M32 on the right side (IP54), low version, 16-polig
73.337.4035.1	Bottom BAS GUT GD 16HM32 50 A1	Bottom-base revos basic made of aluminum, with double locking lever or screw cap with threaded hole M32 on the right side, low version, 16-polig
73.338.4035.1	Bottom BAS GUT GB 16H M40 A1	Bottom-base revos basic made of aluminum, with double locking lever or screw cap with threaded hole M40 on the right and left side, low version, 16-polig

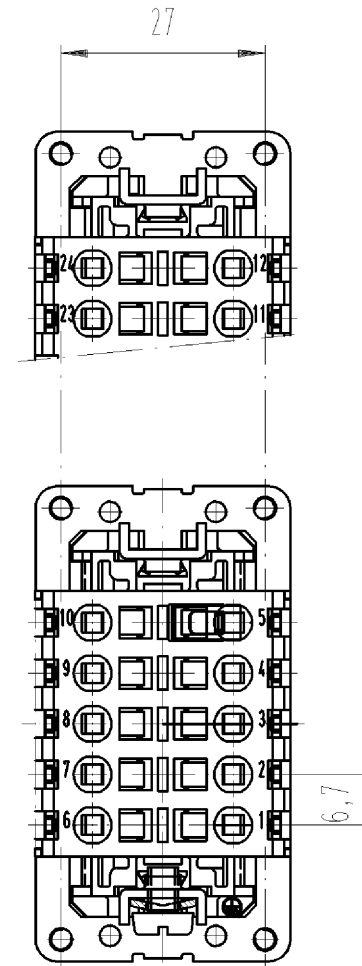
73.339.4035.1	Bottom BAS GUT GC 16H M40 A1	Bottom-base revos basic made of aluminum, with double locking lever or.screw cap with threaded hole M40 on the left side, low version, 16-polig
73.340.4035.0	Bottom BAS GUT GB 16H M40 A1	Bottom-base revos basic made of aluminum, with double locking lever or.screw cap with threaded hole M40 on the right and left side, low version, 16-polig
73.340.4035.1	Bottom BAS GUT GF 16HM25 50 A1	Bottom-base revos basic made of aluminum, for double locking lever withthreaded hole M25 on the left and right side, with protective cover, low version, 16-polig
73.341.4035.0	Bottom BAS GUT GC 16H M40 A1	Bottom-base revos basic made of aluminum, with double locking lever or.screw cap with threaded hole M40 on the left side, low version, 16-polig
73.341.4035.1	Bottom BAS GUT GG 16HM25 50 A1	Bottom-base revos basic made of aluminum, with double locking lever andthreaded hole M25 on the left side, with protective cover, low version,16-polig
73.342.4035.1	Bottom BAS GUT GH 16HM25 50 A1	Bottom-base revos basic made of aluminum, with double locking lever andthreaded hole M25 on the right side, with protective cover, low version, 16-polig
73.344.4035.0	Bottom BAS GUT GF 16HM32 50 A0	Bottom-base revos basic made of aluminum, for double locking lever withcable gland M32 on the left and right side, with protective cover (IP54), low version, 16-polig
73.344.4035.1	Bottom BAS GUT GF 16HM32 50 A1	Bottom-base revos basic made of aluminum, for double locking lever withthreaded hole M32 on the left and right side, with protective cover, high version, 16-polig
73.345.4035.0	Bottom BAS GUT GG 16HM32 50 A0	Bottom-base revos basic made of aluminum, with double locking lever andcable gland M32 on the left side, with protective cover (IP54), low version, 16-polig
73.345.4035.1	Bottom BAS GUT GG 16HM32 50 A1	Bottom-base revos basic made of aluminum, with double locking lever andthreaded hole M32 on the left side, with protective cover, low version,16-polig
73.346.4035.0	Bottom BAS GUT GH 16HM32 50 A0	Bottom-base revos basic made of aluminum, with double locking lever andcable gland M32 on the right side, with protective cover (IP54), low version, 16-polig
73.346.4035.1	Bottom BAS GUT GH 16HM32 50 A1	Bottom-base revos basic made of aluminum, with double locking lever andthreaded hole M32 on the right side, with protective cover, low version, 16-polig
73.347.4035.0	Bottom BAS GUT GI 16HM32 50 A0	Bottom-base revos basic made of aluminum, with double locking lever andcable gland M32 on the bottom, with protective cover (IP54), low version, 16-polig
73.347.4035.1	Bottom BAS GUT GI 40HM32 50 A1	Bottom-base revos basic made of aluminum, with double locking lever andthreaded hole M32 on the bottom, with protective cover, low version, 40-polig
70.110.1653.3	Multipole adapter BAS SAS LL 16 4,0 50	Multipole adapter revos BASIC 500V/16A screw connection 16 pole + ground, long design, male insert, ground left
70.110.1653.4	Multipole adapter BAS SAS KL 16 4,0 50	Multipole adapter revos BASIC 500V/16A screw connection 16 pole + ground, short design, male insert, ground left
70.115.1653.3	Multipole adapter BAS SAS LR 16 4,0 50	Multipole adapter revos BASIC 500V/16A screw connection 16 pole + ground, long design, male insert, ground right
70.115.1653.4	Multipole adapter BAS SAS KR 16 4,0 50	Multipole adapter revos BASIC 500V/16A screw connection 16 pole + ground, short design, male insert, ground right
70.111.1653.0	Multipole adapter BAS SAF KL 16 2,5 50	Multipole adapter revos BASIC 500V/16A spring clamp connection 16 pole + ground, short design, male insert, ground left
70.116.1653.0	Multipole adapter BAS SAF KR 16 2,5 50	Multipole adapter revos BASIC 500V/16A spring clamp connection 16 pole + ground, short design, male insert, ground right
70.310.1602.0	Male insert BAS STS 16 2,5 50 AG	Male insert revos basic, 16-poles, rated current: 16A, rated voltage: 500V, with silver-plated contacts

70.310.1640.0	Male insert BAS STS 16 2,5 50	Male insert revos basic, 16-poles, rated current: 16A, rated voltage: 500V, with tin-plated contacts
70.311.1640.0	Male insert BAS STS 16 2,5 50 AU	Male insert revos basic, 16-poles, rated current: 16A, rated voltage: 500V, with gold-plated contacts
70.312.1640.0	Male insert BAS STS OD 16 2,5 50	Male insert revos basic, 16-poles, rated current: 16A, rated voltage: 500V, with tin-plated contacts
70.415.1653.0	Male insert BAS STP 16 2,5 50 AG	Male insert revos basic, 16-poles, rated current: 16A, rated voltage: 500V, with silver-plated contacts



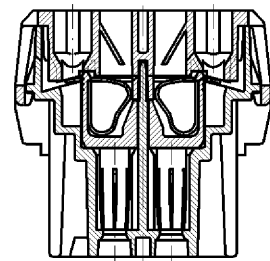
Aufdruck für 10 und 16-polig
print for 10 and 16-pole

Aufdruck für 6 und 24-polig
print for 6 and 24-pole



mit Federkraftanschluß
with spring connection

dargestellt: 10-polig
pictured: 10-pole



^a Weitere Daten siehe Katalog
further data see catalog

Montageanleitung in jeder Verpackung
assembly instruction in every package

Teile - Nr. part no.	Typ type	L	l	Aufdruck, schwarz black printed
70.500.0653.0	BAS BUF 6 2,5 50	49.8	44	70.500.0653
70.500.1053.0	BAS BUF 10 2,5 50	62.8	57	70.500.1053
70.500.1653.0	BAS BUF 16 2,5 50	83.3	77.5	70.500.1653
70.500.1653.3	BAS BUF SB 16 2,5 50	83.3	77.5	70.500.1653.3
70.500.2453.0	BAS BUF 24 2,5 50	109.8	104	70.500.2453
70.500.2453.3	BAS BUF SB 24 2,5 50	109.8	104	70.500.2453.3

Freitoleranz nach		CAD - Zeichnung, keine manuellen Änderungen			1. Verwendung: -		Bl.: 1 von 1		
	Maßstab	Werkstoff und Oberfläche:		2003	Tag	Name		Zeichnung Nr. 70.500.0653.0 01K a	Index
	1:1	Farbe: kieselgrau colour: pebble grey		Entworfen	09.07.	Bauer F.			
		Vol.	mm ³	Ofl.	mm ²	Normgepr.	-	Ersatz für: -	
a	23.04.2004/	wieland		Benennung		BUCHSENE INSATZ			
Buchstabe	Datum / Blatt	Elektrische Verbindungen		SOCKET INSERT 2,5qmm 500V 16A					
Änderung									

○ Diese Maße werden bei Abnahme besonders geprüft
○ Ausschließlich Prüfmaße
○ Mit /E gekennzeichnete Maße sind nur für interne Zwecke gültig

Weitergabe sowie Vervielfältigung dieses Dokuments, Verwertung und Mitteilung seines Inhalts sind verboten, soweit nicht ausdrücklich gestattet.
The reproduction, distribution and utilization of this document as well as the communication of its contents to others without express authorization is prohibited.

705000653001K_4_CADW100_Schnitt 2004-04-23T08:33:24 1.000