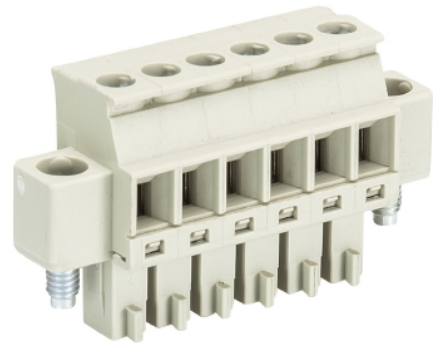


Data sheet

Commercial Art.No.: 25.623.3653.0

PCB connector 8813 B / 6 VR F OB

PCB female connector with screw connection with rising cage clamp system, 6 poles, max. cross section: 1.5 mm², pitch: 3.81 mm, type of packing: carton, color: grey



| | |
|--------------------|---------------|
| Commercial Art.No. | 25.623.3653.0 |
| EAN | 4015573560611 |
| Order Unit | 50 |

Certificates / Approvals



Technical data

General

| | |
|------------------------------------|------------------|
| Modular spacing | 3.81 mm |
| Connection type | screw connection |
| Soldering process | None |
| Packaging | Carton |
| Number of poles | 6 |
| Marking | No |
| Fastening | Flange |
| Mating direction towards connector | 90° |

Technical data

| | |
|--------------------------|---------------------|
| Nominal cross section | 1.5 mm ² |
| Rated current | 8 A |
| Overvoltage Category I | 690 V |
| Overvoltage Category II | 250 V |
| Overvoltage Category III | 125 |
| Rated impulse voltage | 2.5 kV |
| Wire strip length | 6.5 mm |

Connection Data

| | |
|-------------------------------------|----------------------|
| Minimum cross section solid | 0.14 mm ² |
| Maximum cross section solid | 1.5 mm ² |
| Minimum cross section fine stranded | 0.14 mm ² |
| Maximum cross section fine stranded | 1.5 mm ² |
| Wire strip length | 6.5 mm |

Technical Data UL/CSA

| | |
|------------------------|-----------|
| Cross section UL | 30-16 AWG |
| Voltage UL | 300 V |
| Current field wiring | 8 A |
| Current factory wiring | 8 A |
| Cross section CSA | 22-14 AWG |
| Voltage CSA | 300 V |
| Current CSA | 5 A |

Other

| | |
|-----------------------------|---------------|
| Type of insulation material | Thermoplastic |
| Color | Grey |
| Height | 19.1 mm |
| Length | 33.25 mm |
| Depth | 10.4 mm |
| Material attachment screw | Steel |
| Material contact base | CuSn |
| Material contact surface | Sn |

Classification

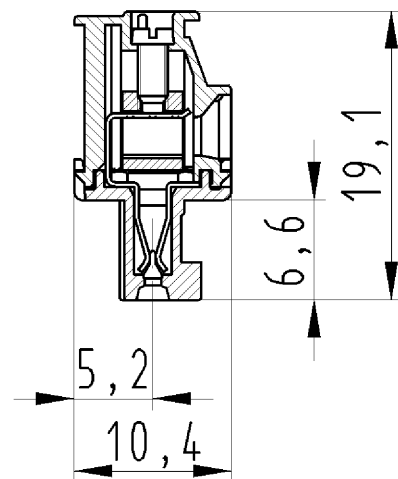
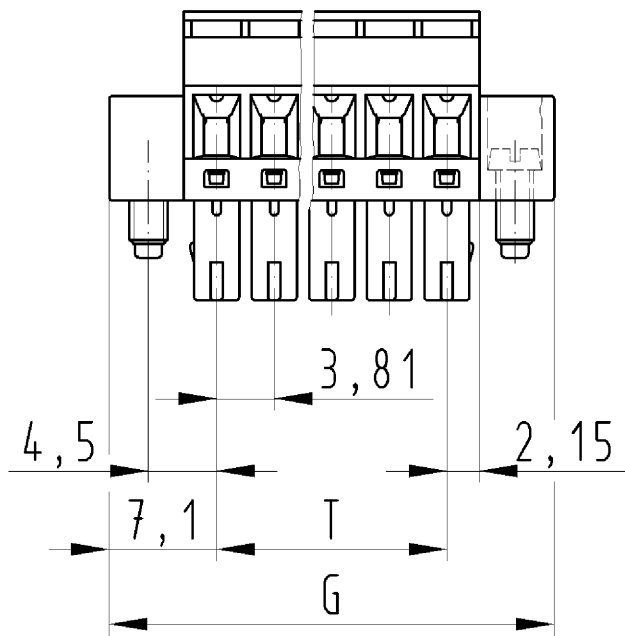
| | |
|------------|----------|
| ECLASS 11 | |
| ECLASS 8.1 | 27440402 |
| ETIM 7.0 | EC002637 |
| ETIM 6.0 | EC002637 |
| ETIM 5.0 | EC002637 |
| ETIM 4.0 | EC002637 |

Product compliance

| | |
|------------------------------|--------------------|
| ROHS conformity status | Compliant/Exempted |
| ROHS exceptions | III-6(c) |
| REACH-SVHC conformity status | Duty-To-Declare |
| REACH-SVHC substances | Lead |
| REACH-SVHC CAS numbers | 7439-92-1 |

Fits with

| Commercial Art.No.: | Article-type description: | Description: |
|---------------------|---------------------------------|---|
| 25.627.3653.0 | PCB pin header 8813 S / 6 WF OB | PCB pin header with pin header, connection method depends on used socket part , 6 poles, pitch: 3.81 mm, type of packing: carton, color: grey |
| 25.626.3653.0 | PCB pin header 8813 S / 6 GF OB | PCB pin header with pin header, connection method depends on used socket part , 6 poles, pitch: 3.81 mm, type of packing: carton, color: grey |



Weitergabe sowie Vervielfältigung dieses Dokuments, Verwertung und Mitteilung seines Inhalts sind verboten, soweit nicht ausdrücklich gestattet. Die Reproduktion, Distribution und Utilization of this document as well as the communication of its contents to others without express authorization is prohibited.

für folgende Tabellen-Zchnng.:
 25.623.3253.0 8813 B/ ...VR F OB

LP-Steckklemme
 25.623.3253.0 10W
 23.10.2007 DÜT
 M 2:1