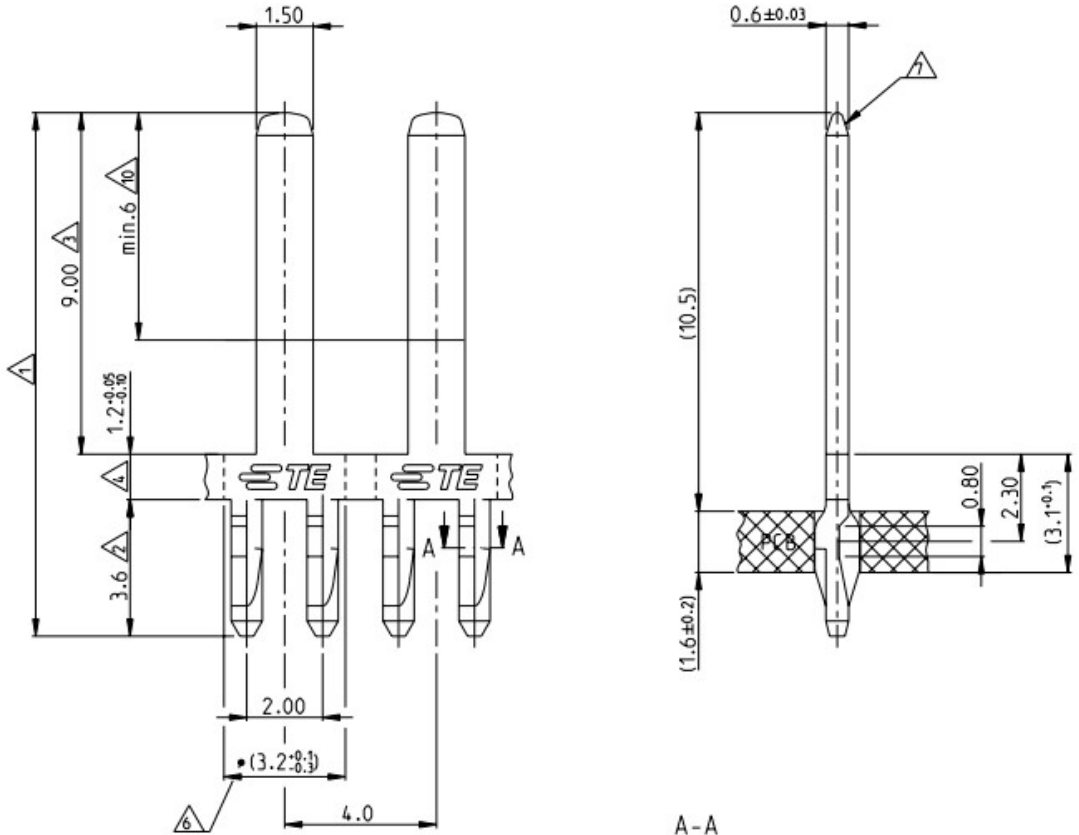
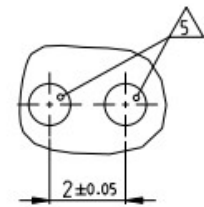


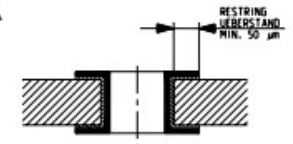
REVISIONS				
REV	LTN	DESCRIPTION	DATE	BY
A		NEW DRAWING	30OCT2008	PN1 JRY
A1		Part-No. 2-1823233-2, 2-1823233-3 added	25JAN2014	RM JRY
A2		visibility of text corrected	09AUG2017	ST PN1

PCB-LAYOUT
 Leiterplatten-Layout



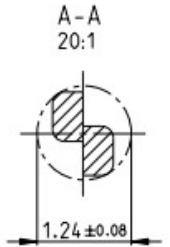
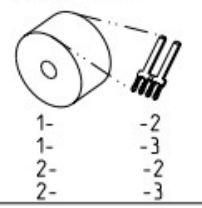
NOTES:
 BEMERKUNGEN:

- △ 1.27 μm - 2.54 μm Ni OVER THE COMPLETE LENGTH
 1.27 μm - 2.54 μm Ni ueber die gesamte Laenge
- △ 0.8 μm - 1.8 μm Sn
 0.8 μm - 1.8 μm Sn
- △ 1.0 μm - 3.0 μm Sn
 1.0 μm - 3.0 μm Sn
- △ Sn
 Sn
- △ 5
- △ 6 DIMENSION OF LOOSE PIECE
 Mass fuer Einzelteil
- △ 7 ACCORDING TO EXECUTION INSTRUCTION AUDI NO. N 905 854
 Nach Ausfuehrungsvorschrift AUDI Nr. N 905 854
- △ 8 TO BE REELED ON PANCAKE REEL WITH INTERLEAVING PAPER
 Pappspulen mit Zwischenlagenpapier
- △ 9 TO BE REELED ON PLASTIC REEL WITH INTERLEAVING PAPER
 Kunststoffspulen mit Zwischenlagenpapier
- △ 10 0.8 μm - 2.0 μm Au
 0.8 μm - 2.0 μm Au



PLATED THROUGH HOLE SPECIFICATION SPEZIFIKATION FUER DURCHPLATIERTE BOHRUNGEN	
Cu THICKNESS KUPFER-SCHICHTDICKE	25-50 μm
Sn Pd-THICKNESS ZINN/BLEI-SCHICHTDICKE	4-15 μm
DRILLED HOLE Ø1.10±0.025 BOHRLOCH Ø1.10±0.025	FINISHED HOLE Ø0.94 ^{-0.15} PLATIRTER LOCH Ø0.94 ^{-0.15}

DIRECTION OF REEL
 TOP OF REEL



TE PART NO	REV.	MATERIAL	SURFACE	REEL PACKAGING
2-1823233-3	A	Cu Sn 4	△ + △ OVER ueber △	△ 9
2-1823233-2	A	Cu Sn 4	△ + △ OVER ueber △	△ 8
1-1823233-3	A	Cu Sn 4	△ + △ + △ OVER ueber △	△ 9
1-1823233-2	A	Cu Sn 4	△ + △ + △ OVER ueber △	△ 8

THIS DRAWING IS A CONTROLLED DOCUMENT.		TE Connectivity	
DIMENSIONS: mm	TOLERANCES UNLESS OTHERWISE SPECIFIED: mm	DATE 30OCT2008	REV A2
0-PcC 1-PLC ±0.2 2-PLC ±0.1 3-PcC 4-PcC	ANGLES FINISH	APPROVED P. Nickelfeld J. Ryll	PRODUCT SPEC 108-18706 APPLICATION SPEC 114-18379
MATERIAL	WEIGHT	CAGE CODE A2 00779	DRAWING NO C=1823233
	CUSTOMER DRAWING	SCALE 10:1	SHEET 1 OF 1