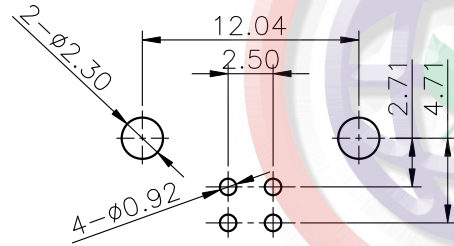
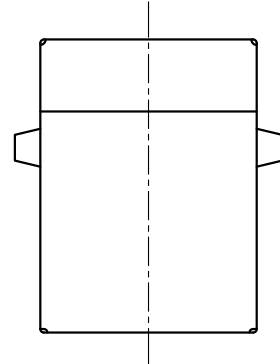


REV.	DESCRIPTION	DRAWN	CHECKED	APPROVED
A	NEW RELEASE	LJH 05/10/05'		LJC 05/10/05'
B	ADD SHELL MATERIAL TYPE	JLZ 04/09/15'		



RECOMMEND PCB LAYOUT  
TOLERANCE=±0.05

NOTES:

- SPECIFICATIONS:
  - CONTACT RESISTANCE:30mΩ max.
  - INSULATION RESISTANCE:1000MΩ min.
  - CURRENT RATING:1.5A.
  - VOLTAGE RATING:30VDC.
  - DIELECTRIC WITHSTANDING VOLTAGE:AC 500V FOR 1 Minute.
  - OPERATING TEMPERATURE: -25\*TO +85\*.

2. MATERIALS:

- HOUSING:PBT+30% GLASS FIBER(UL 94-0).
- CONTACT:COPPER ALLOY
- SHELL:COPPER ALLOY OR STEEL.

3. PRODUCT NUMBER CODE:

DS1099 - X X X - X

MATERIAL OF SHELL (B)

Fe: Steel  
N/A: Copper Alloy

CONTACT PLATING

0: Selective Gold Flash  
03: Selective Gold 3u"  
30: Selective Gold 30u"

SHELL PLATING

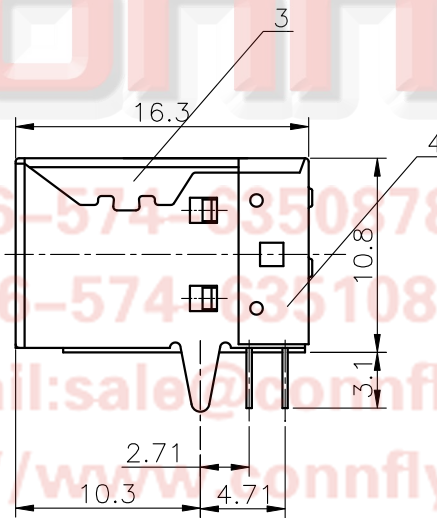
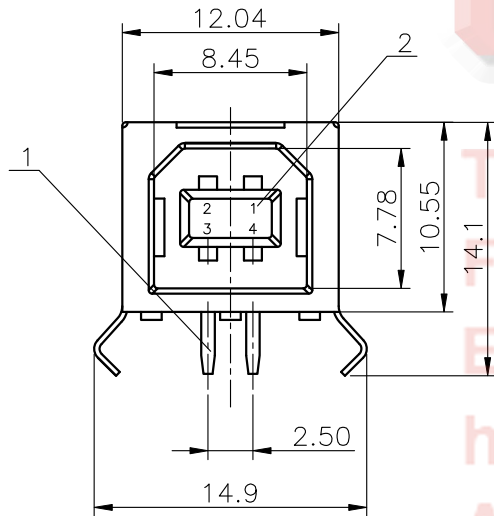
N: Nickel  
6: Tin

COLOR OF HOUSING:

W: WHITE  
B: BLACK

SERIES No.

DS1099 series



Tel:86-574-83508787  
Fax:86-574-83510817  
E-mail:sales@connfly.com  
http://www.connfly.com  
Add:East Industry Zone KuangYan  
Town Cixi Ningbo China  
P.C:315333

				GENERAL TOLERANCE	ANGLE TOLERANCE	PROJECTION		TITLE		
4	BACK SHELL	STEEL	SEE NOTES	X. ±0.60 .X ±0.38 .XX ±0.25	X. ±5° .X ±3° .XX ±2°	UNITS	mm		USB B TYPE R/A DIP TYPE	
3	FRONT SHELL	COPPER ALLOY OR STEEL	SEE NOTES			SHEET SIZE	A4	SERIES	DS1099 SERIES	
2	HOUSING	PBT	UL 94 V-0			晨翔电子有限公司 <b>CONNFLY CONNFLY ELECTRONIC CO., LTD</b>				
1	CONTACT	COPPER ALLOY	SEE NOTES							
ITEM	PART NAME	MATERIALS	FINISHED	DRAWING TYPE	CUSTOMER	SCALE	1:1	SHEET	1 OF 1	
				DRAWING NO.	C-DS1099-XXX-X-B					

晨翔电子有限公司  
**CONNFLY CONNFLY ELECTRONIC CO., LTD**