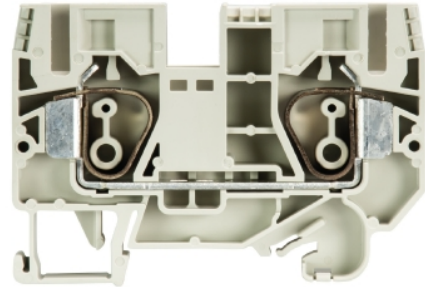


Data sheet

Commercial Art.No.: 56.710.0055.0

Feed-through terminal WKFN 10/35

Feed-through terminal with tension spring connection for mounting on TS35/ TS 32, nominal cross section: 10 mm², width: 10 mm, color: grey



| | |
|--------------------|---------------|
| Commercial Art.No. | 56.710.0055.0 |
| EAN | 4015573906402 |
| Order Unit | 50 |

Certificates / Approvals



Technical data

General

| | |
|--|--------------------------------|
| Nominal cross section | 10 mm ² |
| Color | Grey |
| Number of levels | 1 |
| Number of clamp positions per level | 2 |
| Width/grid dimension | 10 mm |
| Insulating housing | PA666 |
| Inflammability class of insulation material acc. with UL94 | V0 |
| Explosion-tested version "Ex e" | yes |
| Mounting method | DIN rail (top hat rail)/G-rail |
| Terminal blocks for electrical installations | yes |

Technical data

| | |
|-----------------------------|---------------|
| Rated current | 57 A |
| Rated voltage | 800 V |
| Rated impulse voltage | 8 kV |
| Pollution degree | 3 |
| Closing plate required | yes |
| Type of insulation material | Thermoplastic |
| Length | 72.5 mm |

Connection Data

| | |
|-------------------------------------|-------------------------|
| Connection type 1 | spring clamp connection |
| Connection type 2 | spring clamp connection |
| Minimum cross section solid | 1.5 mm ² |
| Maximum cross section solid | 10 mm ² |
| Minimum cross section fine stranded | 0.2 mm ² |

| | |
|-------------------------------------|--------------------|
| Maximum cross section fine stranded | 10 mm ² |
| Minimum cross section stranded | 16 mm ² |
| Maximum cross section stranded | 16 mm ² |
| Wire strip length | 15 mm |

Technical Data UL/CSA

| | |
|------------------------|----------|
| Cross section UL | 16-6 AWG |
| Voltage UL | 600 V |
| Current factory wiring | 60 A |
| Current field wiring | 60 A |
| Cross section CSA | 16-6 AWG |
| Voltage CSA | 600 V |
| Current CSA | 65 A |

Classification

| | |
|------------|----------|
| ECLASS 11 | |
| ECLASS 8.1 | 27141120 |
| ETIM 7.0 | EC000897 |
| ETIM 6.0 | EC000897 |
| ETIM 5.0 | EC000897 |
| ETIM 4.0 | EC000897 |
| ETIM 3.0 | EC000897 |

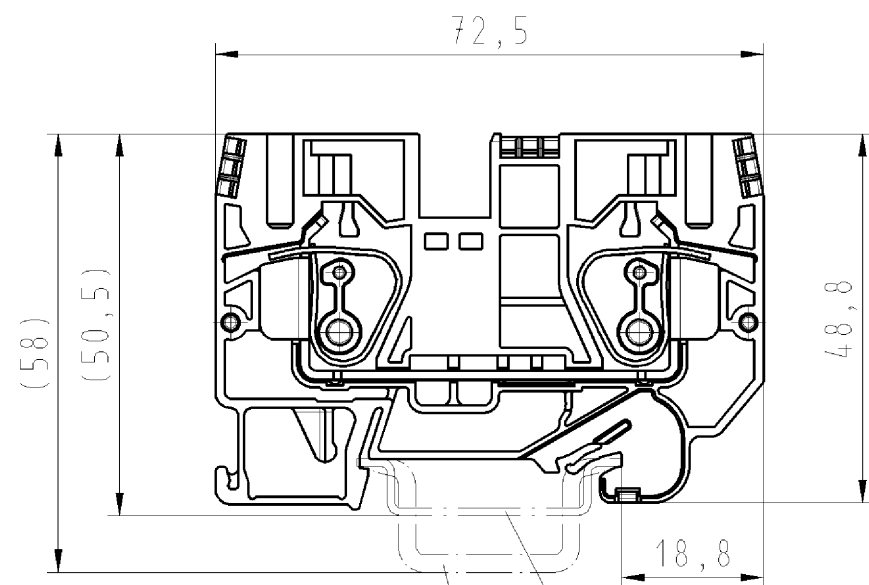
Product compliance

| | |
|------------------------------|-----------|
| ROHS conformity status | Compliant |
| REACH-SVHC conformity status | Compliant |

Accessories

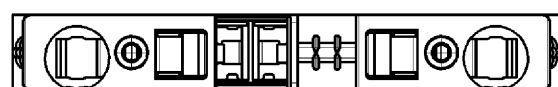
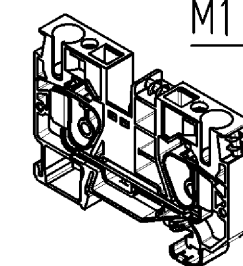
| Commercial Art.No.: | Article-type description: | Description: |
|---------------------|--|--|
| Z7.283.8227.0 | Jumper bar IVBWK 10- 2 | Cross connector, insulated for DIN rail terminal blocks type WKF..., 2 - pole |
| 98.300.0000.0 | Mounting rail TS 35x7,5 UNPERF - l:2000mm | Mounting rail TS 35, unslotted, size 7,5 mm, length 2 m, material steel. galv. zinc-plated and dichromated |
| 98.300.1000.0 | Mounting rail TS 35x7,5 PERF 15mm - l:2000mm | Mounting rail TS 35, slotted, size 7,5 mm, length 2 m, material steel. galv. zinc-plated and dichromated |
| 98.300.1900.0 | Mounting rail TS 35x7,5 PERF 25mm - l:2000mm | Mounting rail TS 35, slotted, size 7,5 mm, length 2 m, material steel. galv. zinc-plated and dichromated |
| 98.360.0000.0 | Mounting rail TS 35x15-2,3 UNPERF - l:2000mm | Mounting rail TS 35, unslotted, size 15 mm, length 2 m, material steel. galv. zinc-plated and dichromated |
| 98.360.0004.0 | Mounting rail TS 35x15-2,3 UNPERF FZN - l:2000mm | Mounting rail TS 35, unslotted, size 15 mm, length 2 m, material steel, hot galvanized |
| 98.370.0000.0 | Mounting rail TS 35x15 UNPERF - l:2000mm | Mounting rail TS 35, unslotted, size 15 mm, length 2 m, material steel. galv. zinc-plated and dichromated |
| 98.370.1000.0 | Mounting rail TS 35x15 PERF 15mm - l:2000mm | Mounting rail TS 35, slotted, size 15 mm, length 2 m, material steel. galv. zinc-plated and dichromated |
| 98.380.0000.0 | Mounting rail TS 35x15-2,3 UNPERF CU - l:2000mm | Mounting rail TS 35, unslotted, size 15 mm, length 2 m, material E copper |
| 04.343.6453.8 | Warning cover ADF10/4 GELB | Cover with warning symbol for DIN rail terminal blocks type WKF ... |
| 07.313.0855.0 | End plate APFN 10/35 | End plate for DIN rail terminal blocks type WKFN 10..., color: grey |
| 07.313.0855.6 | End plate APFN 10/35 BLAU | End plate for DIN rail terminal blocks type WKFN 10..., color: blue |

| | | |
|---------------|--|--|
| 07.313.0855.7 | End plate APFN 10/35 GRUEN | End plate for DIN rail terminal blocks type WKFN 10..., color: green |
| 07.313.0955.0 | Partition TWFN 10/35 | Partition for DIN rail terminal blocks type WKFN 10..., color: grey |
| 98.300.1800.0 | Mounting rail TS 35x7,5 PERF 18mm - l:2000mm | Mounting rail TS 35, slotted, size 7,5 mm, length 2 m, material steel. galv. zinc-plated and dichromated |
| 04.242.5053.0 | Marking tag strips 9705 A / 5 / 10 | Marking tag strips for DIN rail terminal blocks type 9700 A / 5..., 10 tags per strip, color: blue, unmarked, markable with Wieplot plotter-system |



Hutschiene EN 60715-35x7,5
mounting rail EN 60715-35x7,5

Hutschiene EN 60715-35x15
mounting rail EN 60715-35x15



Weitere Daten siehe Katalog
further data see catalog

| T-Nr. part-no. | Farbe colour | Typ type |
|-------------------|-----------------|-----------------|
| 56.710.0055.0 | grau grey | WKFN 10/35 |
| 56.710.0055.6 | blau blue | WKFN 10/35 BLAU |

| | | | | | | | |
|--|--|---|--|---|----------|-------------------------------|--|
| Tolerierung nach DIN 7167/Tolerance system acc. to DIN 7167. (This DIN-standard describes the envelope principle. According to the envelope principle the deviations of form and parallelism are limited by the size tolerances). | | | | ja/yes <input checked="" type="checkbox"/> Stoffverbots- und Deklarationsliste nach UU-TQM-05/03 ist einzuhalten. Conformity with Wieland document UU-TQM-05/03 (list of prohibited / declarable hazardous substances) to be declared! | | | |
| Freitoleranz nach General tolerance | | CAD - Zeichnung, keine manuellen Änderungen CAD - drawing, no manual modifications allowed | | 1. Verwendung: - First Use: | | Blatt: 1 von 1 Sheet: of 1 | |
| / | | Werkstoff/Material | | 2007 gezeichnet drawn | Tag/Date | Name | |
| / | | Maßstab/Scale | | 26.06. | | Bauer F. | |
| / | | 1:1 | | geprüft checked | - | - | |
| / | | Vol. mm ³ Öl./Surf. mm ² | | Normgepr. Stand. check | - | - | |
| / | | Ersatz für/Replacement for: - | | T | | | |
| / | | wieland | | Zeichnung Nr./Drawing No. | | | |
| / | | Elektrische Verbindungen | | 56.710.0055.0 01K | | | |
| Index | | Datum / Blatt Date / Sheet | | Maße in mm/Dimensions are in mm | | | |
| Änderung/Revision | | Type | | Benennung/Title | | | |
| | | DURCHGANGSKLEMME | | fasis pro Federkraftanschluß 10mm ² terminal with spring clamp connection | | | |

567100055001K_4_CADW1032_Bauer 2007-06-27T08:13:34 1:000

Weitergabe sowie Vervielfältigung dieses Dokuments, Verwertung und Mitteilung seines Inhalts sind verboten, soweit nicht ausdrücklich gestattet. Die Reproduktion, Distribution und Utilization of this document as well as the communication of its contents to others without express authorization is prohibited.

These dimensions will be especially checked at delivery
Only inspection dimensions
With /E marked dimensions are only valid for internal use

Diese Maße werden bei Abnahme besonders geprüft
Ausschließlich Prüfmaße
Mit /E gekennzeichnete Maße sind nur für interne Zwecke gültig