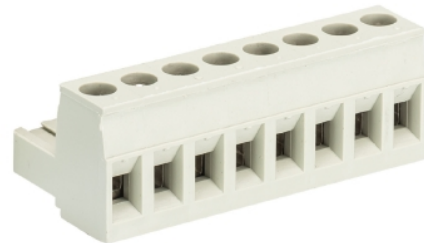


## Data sheet

Commercial Art.No.: 25.340.3353.0

PCB connector 8213 B / 3 OB

PCB female connector with screw connection with rising cage clamp system, 3 poles, max. cross section: 2.5 mm<sup>2</sup>, pitch: 5.08 mm, type of packing: carton, color: grey



Commercial Art.No.	25.340.3353.0
EAN	4015573189607
Order Unit	100

Certificates / Approvals



## Technical data

### General

Modular spacing	5.08 mm
Connection type	screw connection
Soldering process	None
Packaging	Carton
Number of poles	3
Marking	No
Fastening	None
Mating direction towards connector	180°

### Technical data

Nominal cross section	2.5 mm <sup>2</sup>
Rated current	12 A
Overvoltage Category I	1000 V
Overvoltage Category II	400 V
Overvoltage Category III	250 V
Rated impulse voltage	4 kV
Wire strip length	6 mm

### Connection Data

Minimum cross section solid	0.14 mm <sup>2</sup>
Maximum cross section solid	2.5 mm <sup>2</sup>
Minimum cross section fine stranded	0.14 mm <sup>2</sup>
Maximum cross section fine stranded	2.5 mm <sup>2</sup>
Wire strip length	6 mm

### Technical Data UL/CSA

Cross section UL	22-12 AWG
------------------	-----------

Voltage UL	300 V
Current field wiring	15 A
Current factory wiring	15 A
Cross section CSA	22-12 AWG
Voltage CSA	300 V
Current CSA	15 A

#### Other

Type of insulation material	Thermoplastic
Color	Grey
Height	15 mm
Length	15.24 mm
Depth	18.2 mm
Material attachment screw	CuSn/Steel
Material contact base	CuSn
Material contact surface	Sn

#### Classification

ECLASS 11	
ECLASS 8.1	27440402
ETIM 7.0	EC002637
ETIM 6.0	EC002637
ETIM 5.0	EC002637
ETIM 4.0	EC002637

#### Product compliance

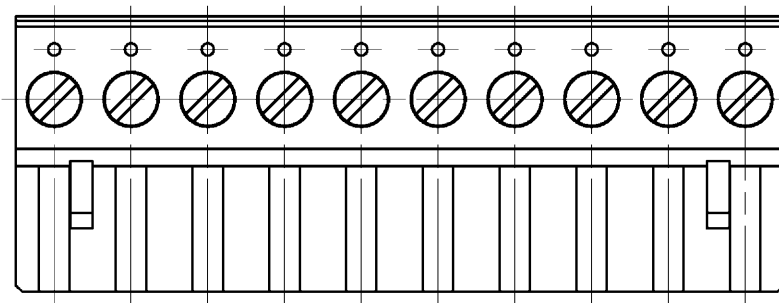
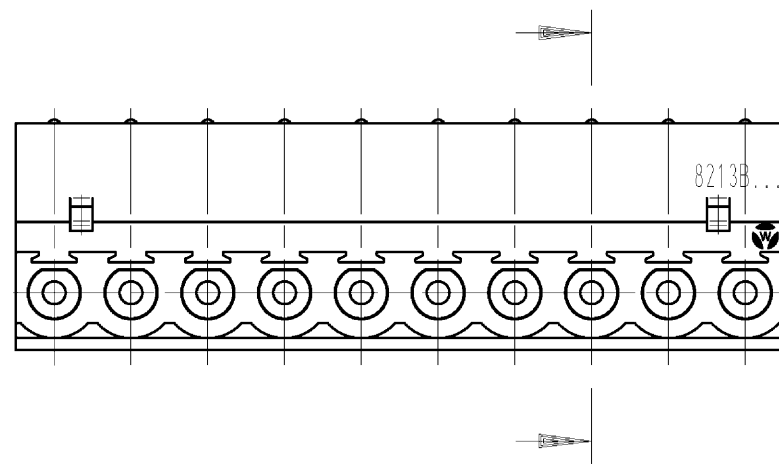
ROHS conformity status	Compliant/Exempted
ROHS exceptions	III-6(c)
REACH-SVHC conformity status	Duty-To-Declare
REACH-SVHC substances	Lead
REACH-SVHC CAS numbers	7439-92-1

#### Fits with

Commercial Art.No.:	Article-type description:	Description:
25.352.3353.0	PCB pin header 8213 S / 3 W OB	PCB pin header, connection method depends on used socket part , 3 poles, pitch: 5.08 mm, type of packing: carton, color: grey
25.350.3353.0	PCB pin header 8213 S / 3 G OB	PCB pin header, connection method depends on used socket part , 3 poles, pitch: 5.08 mm, type of packing: carton, color: grey
99.203.9996.2	PCB pin header 8213 S / 3 W OB OF	PCB pin header, connection method depends on used socket part , 3 poles, pitch: 5.08 mm, type of packing: carton, color: white
99.233.9996.1	PCB pin header 8213 S / 3 G OB OF	PCB pin header, connection method depends on used socket part , 3 poles, pitch: 5.08 mm, type of packing: carton, color: black
25.396.3353.0	PCB pin header 8213 S / 3 S OB	PCB pin header, connection method depends on used socket part , 3 poles, pitch: 5.08 mm, type of packing: carton, color: grey
27.356.0353.0	PCB pin header 8213 SEG/ 3/ 6 W OB	PCB pin header, 3 poles, pitch: 5.08 mm, type of packing: carton, color: grey
25.356.3353.0	PCB pin header 8213 SE / 3 W OB	PCB pin header, connection method depends on used socket part , 3 poles, pitch: 5.08 mm, type of packing: carton, color: grey
25.354.3353.0	PCB pin header 8213 S E / 3 G OB	PCB pin header, connection method depends on used socket part , 3 poles, pitch: 5.08 mm, type of packing: carton, color: grey

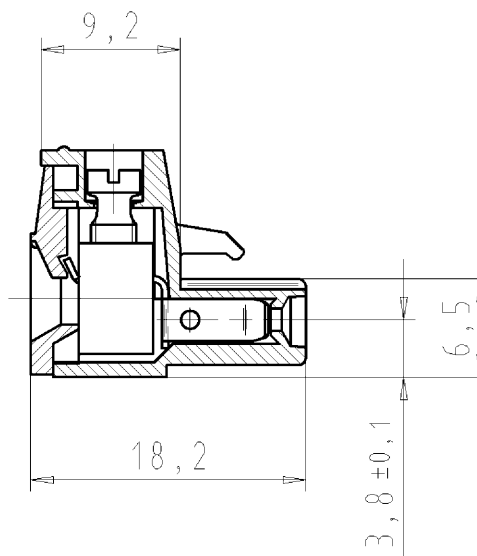
26.350.3306.0	PCB pin header 8213 S / 3 G OF OB THR	PCB pin header, connection method depends on used socket part , 3 poles, with solder pin (2.6mm, tin plated), pitch: 5.08 mm, type of packing: carton, color: black, This product can be soldered by reflow and wave soldering,
25.350.3306.0	PCB pin header 8213 S / 3 G OB THR	PCB pin header, connection method depends on used socket part , 3 poles, with solder pin (2.6mm, tin plated), pitch: 5.08 mm, type of packing: carton, color: black, This product can be soldered by reflow and wave soldering,
25.352.3306.0	PCB pin header 8213 S / 3 W OB THR	PCB pin header, connection method depends on used socket part , 3 poles, with solder pin (2.6mm, tin plated), pitch: 5.08 mm, type of packing: carton, color: black, This product can be soldered by reflow and wave soldering,

gezeichnete Ausführung:  
10-polig  
 drawn version  
10 poles

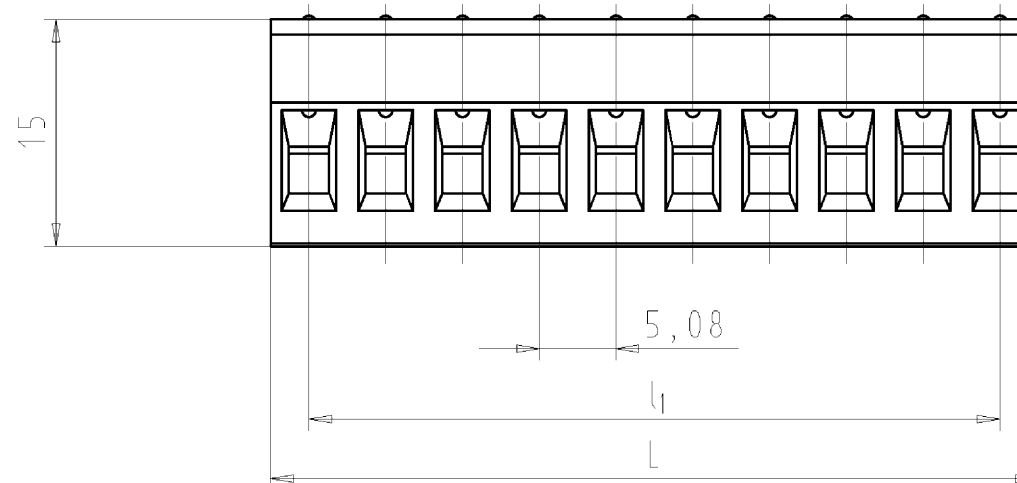


"X"

(a)



Ansicht "X"  
 view "X"



Weitere Daten siehe Katalog  
 further data see catalog

Teile-Nr. part-no.	Pol-Z. pole	L	l1	Typ type
25.340.3253.F	2	10.16 <sup>0,4</sup>	5.08 <sup>0,4</sup>	8213 B/ 2 OB
25.340.3353.F	3	15.24 <sup>0,4</sup>	10.16 <sup>0,4</sup>	8213 B/ 3 OB
25.340.3453.F	4	20.32	15.24	8213 B/ 4 OB
25.340.3553.F	5	25.40	20.32	8213 B/ 5 OB
25.340.3653.F	6	30.48	25.40	8213 B/ 6 OB
25.340.3753.F	7	35.56	30.48	8213 B/ 6 OB
25.340.3853.F	8	40.64	35.56	8213 B/ 7 OB
25.340.3953.F	9	45.72	40.64	8213 B/ 8 OB
25.340.4053.F	10	50.80	45.72	8213 B/ 9 OB
25.340.4153.F	11	55.88	50.80	8213 B/10 OB
25.340.4253.F	12	60.96	55.88	8213 B/11 OB
25.340.4353.F	13	66.04	60.96	8213 B/12 OB
25.340.4453.F	14	71.12	66.04	8213 B/13 OB
25.340.4553.F	15	76.20	71.12	8213 B/14 OB
25.340.4653.F	16	81.28	76.20	8213 B/15 OB
25.340.4753.F	17	86.36	81.28	8213 B/16 OB
25.340.4853.F	18	91.44	86.36	8213 B/17 OB
25.340.4953.F	19	96.52	91.44	8213 B/18 OB
25.340.5053.F	20	101.60	96.52	8213 B/19 OB
25.340.5153.F	21	106.68	101.60	8213 B/20 OB
25.340.5253.F	22	111.76	106.68	8213 B/21 OB
25.340.5353.F	23	116.84	111.76	8213 B/22 OB
25.340.5453.F	24	121.92	116.84	8213 B/23 OB

.F	Farbe/ colour		
.0	grau/grey	.6	blau/blue
.1	schwarz/ black	.7	grün/green
.2	weiß/white	.8	gelb/yellow
.4	braun/brown	.9	orange

Tolerierung Size ISO 14405/Tolerance system Size ISO 14405. (This ISO-standard describes the envelope principle. According to the envelope principle the deviations of form and parallelism are limited by the size tolerances).		ja/yes <input checked="" type="checkbox"/> Stoffverbots- und Deklarationsliste nach UU-TOM-05/03 ist einzuhalten. Conformity with Wieland document UU-TOM-05/03 (list of prohibited / declarable hazardous substances) to be declared!	
Freitoleranz nach DIN ISO 2768 - m General tolerance		CAD - Zeichnung, keine manuellen Änderungen CAD - drawing, no manual modifications allowed	1. Verwendung: First Use: -
Werkstoff/Material		2011 Tag/Date Name	Zeichnung Nr./Drawing No. Index T 25.340.3253.0 01K a
Maßstab/Scale 2:1		gezeichnet/drawn geprüft/checked Normgepr. / Stand. check	
Vol. mm <sup>3</sup> Ofl./Surf. mm <sup>2</sup>		Ersatz für/Replacement for: -	
a 31.07.2012/ Index Datum / Blatt Date / Sheet		Type Benennung/Tittle 8213 B/ OB pluggable PCB terminal LP_BUCHSENLEISTE mit Steck- und Schraubanschluß Rastermaß 5,08 with plug in and screw connection pitch 5,08	
Änderung/Revision		Maße in mm/Dimensions are in mm	

Weitergabe sowie Vervielfältigung dieses Dokuments, Verwertung und Mitteilung seines Inhalts sind verboten, soweit nicht ausdrücklich gestattet. The reproduction, distribution and utilization of this document as well as the communication of its contents to others without express authorization is prohibited.

253403253001K\_2\_CADW2035\_Schmitt: 2012-08-01T08:35:03 1.000