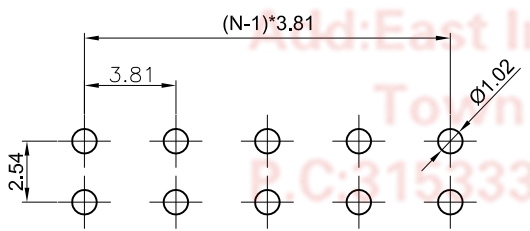
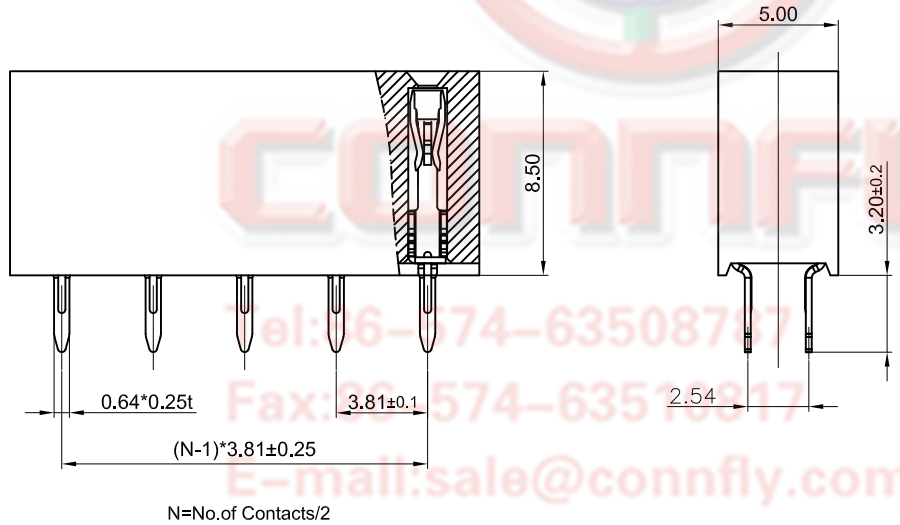
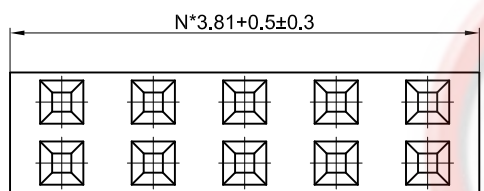


The information provided herein is from CONNELY Electronic Co., Ltd. and is confidential. Any disclosure to a party other than the recipient is prohibited. The intellectual properties and its rights contained herein, including but not limited to, trademarks, patents, copyrights, trade secrets, and technical know-how, are owned exclusively by CONNELY or its affiliates. Unauthorized use of this information in any format or manner. CONNELY may enforce its intellectual property rights at its own discretion; failures or delays to exercise such rights does not constitute a waiver of such rights.

1 2 3 4 5 6 7 8

REV.	DESCRIPTION	DRAWN	CHECKED	APPROVED
A	NEW RELEASE	JLZ 03/05/16'	HZW 03/05/16'	LJC 03/05/16'
B	DRAWING UPDATE	JLZ 01/22/19'	~	



RECOMMEND PCB LAYOUT
(TOLERANCE=±0.05)

Notes:
 Specifications:
 1. Contact Resistance: 20mΩ Max.
 2. Insulation Resistance: 1000MΩ Min.
 3. Dielectric Withstanding Voltage: 600V AC(rms) For 1 Minute.
 4. Current Rating:3A.
 5. Voltage Rating:250V AC rms.
 6. Temperature: -40°C~+105°C.
 Materials:
 1. Contact Material: Copper Alloy.
 2. Contact Plating: Gold Plating Over Nickel.
 3. Insulator Materials: PBT,Black,UL94-V0.
 Product Number Code:

DS1023-38 - X X X X X X

- X: Packing type
B: Tube
T: Tray
- X: Housing color
B: Black
- X: Contact plating
8: Full gold flash
- X: Mounting type
V: Vertical Through
- X: Connector type
S: Socket
- X: No. of contacts
2x2 - 2x20

GENERAL TOLERANCE		ANGLE TOLERANCE		PROJECTION		TITLE	2.54*3.81mm FEMALE HEADER V/T TYPE	
X.	±0.60	X.	±5°	UNITS	mm		H=8.5mm WITH HIGH O TYPE TERMINAL	
.X	±0.38	.X	±3°	SHEET SIZE	A4	SERIES	DS1023-38 SERIES	
.XX	±0.25	.XX	±2°					
DRAWING TYPE		CUSTOMER		晨翔电子有限公司 CONNFLY CONNELY ELECTRONIC CO. LTD				
SCALE		1:1	SHEET					1 OF 1
DRAWING NO.		C-DS1023-38-XXXXXX-B						

1 2 3 4 5 6 7 8