

## Data sheet

Commercial Art.No.: 25.820.0553.0

PCB connector 8113 BFK / 5 TOP

PCB female connector with tension spring connection, 5 poles, printed version, max. cross section: 2.5 mm<sup>2</sup>, pitch: 5 mm, type of packing: carton, color: grey



Commercial Art.No.	25.820.0553.0
EAN	4015573562103
Order Unit	50

Certificates / Approvals



## Technical data

### General

Modular spacing	5 mm
Connection type	spring clamp connection
Soldering process	None
Packaging	Carton
Number of poles	5
Marking	yes
Fastening	None
Mating direction towards connector	180°

### Technical data

Nominal cross section	2.5 mm <sup>2</sup>
Rated current	12 A
Overvoltage Category I	1000 V
Overvoltage Category II	400 V
Overvoltage Category III	250 V
Rated impulse voltage	4 kV
Wire strip length	11 mm

### Connection Data

Minimum cross section solid	0.14 mm <sup>2</sup>
Maximum cross section solid	2.5 mm <sup>2</sup>
Minimum cross section fine stranded	0.14 mm <sup>2</sup>
Maximum cross section fine stranded	2.5 mm <sup>2</sup>
Wire strip length	11 mm

### Technical Data UL/CSA

Cross section UL	22-12 AWG
------------------	-----------

Voltage UL	300 V
Current field wiring	12 A
Current factory wiring	12 A
Cross section CSA	22-16 AWG
Voltage CSA	300 V
Current CSA	12 A

#### Other

Type of insulation material	Thermoplastic
Color	Grey
Height	15 mm
Length	25 mm
Depth	24.3 mm
Material attachment screw	None
Material contact base	Steel
Material contact surface	Sn

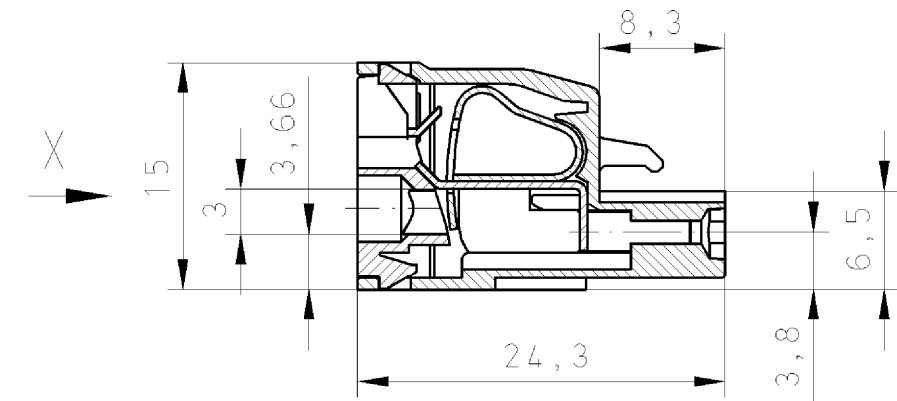
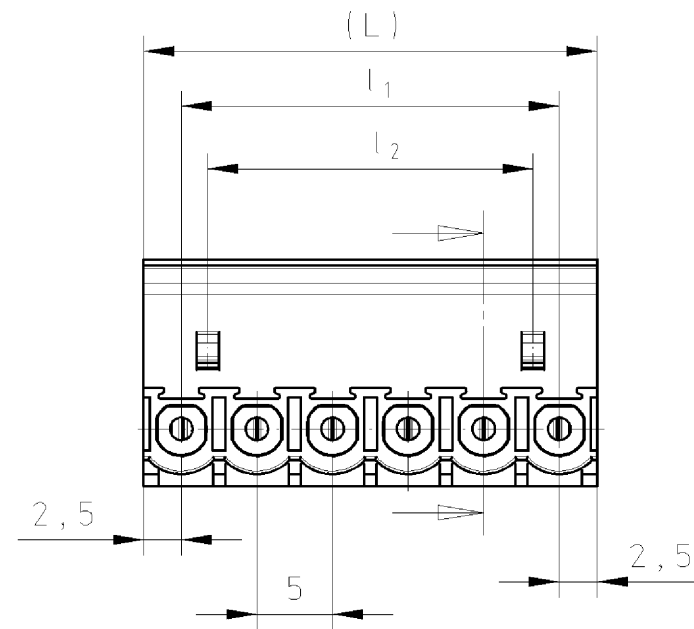
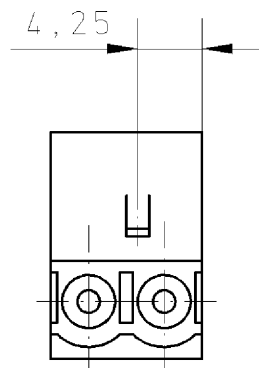
#### Classification

ECLASS 11	
ECLASS 8.1	27440402
ETIM 7.0	EC002637
ETIM 6.0	EC002637
ETIM 5.0	EC002637
ETIM 4.0	EC002637

#### Fits with

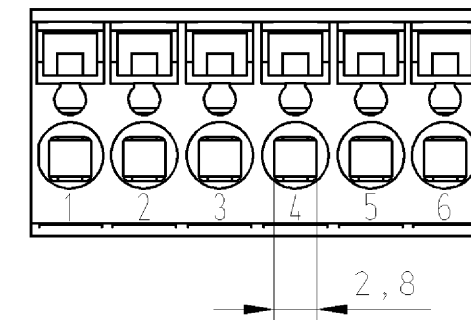
Commercial Art.No.:	Article-type description:	Description:
25.332.3553.0	PCB pin header 8113 S / 5 W OB	PCB pin header, connection method depends on used socket part , 5 poles, pitch: 5 mm, type of packing: carton, color: grey
99.205.9996.0	PCB pin header 8113 S / 5 G OB OF	PCB pin header, connection method depends on used socket part , 5 poles, pitch: 5 mm, type of packing: carton, color: grey
25.330.3553.0	PCB pin header 8113 S / 5 G OB	PCB pin header, connection method depends on used socket part , 5 poles, pitch: 5 mm, type of packing: carton, color: grey
25.394.3553.0	PCB pin header 8113 S / 5 S OB	PCB pin header, connection method depends on used socket part , 5 poles, pitch: 5 mm, type of packing: carton, color: grey
99.265.9996.0	PCB pin header 8113 S / 5 W OB OF	PCB pin header, connection method depends on used socket part , 5 poles, pitch: 5 mm, type of packing: carton, color: grey
27.336.0553.0	PCB pin header 8113 SEG / 5 / 10 W OB	PCB pin header, 5 poles, pitch: 5 mm, type of packing: carton, color: grey
27.334.0553.0	PCB pin header 8113 SEG / 5 / 10 G OB	PCB pin header, 5 poles, pitch: 5 mm, type of packing: carton, color: grey

Ausführung: 2-polig  
version: 2-poles



gezeichnete Ausführung: 6-polig  
drawn version: 6-poles

Ansicht X  
view "X"



Weitere Daten siehe Katalog  
further data see catalog

Teile - Nr. part - no.	Polzahl pole	(L)	l <sub>1</sub>	l <sub>2</sub>	Typ type
25.820.0253.F	2	10	5	-	8113 BFK/ 2 TOP
25.820.0353.F	3	15	10	6,5	8113 BFK/ 3 TOP
25.820.0453.F	4	20	15	11,5	8113 BFK/ 4 TOP
25.820.0553.F	5	25	20	16,5	8113 BFK/ 5 TOP
25.820.0653.F	6	30	25	21,5	8113 BFK/ 6 TOP
25.820.0753.F	7	35	30	26,5	8113 BFK/ 7 TOP
25.820.0853.F	8	40	35	31,5	8113 BFK/ 8 TOP
25.820.0953.F	9	45	40	36,5	8113 BFK/ 9 TOP
25.820.1053.F	10	50	45	41,5	8113 BFK/10 TOP
25.820.1153.F	11	55	50	46,5	8113 BFK/11 TOP
25.820.1253.F	12	60	55	51,5	8113 BFK/12 TOP
25.820.1353.F	13	65	60	56,5	8113 BFK/13 TOP
25.820.1453.F	14	70	65	61,5	8113 BFK/14 TOP
25.820.1553.F	15	75	70	66,5	8113 BFK/15 TOP
25.820.1653.F	16	80	75	71,5	8113 BFK/16 TOP
25.820.1753.F	17	85	80	76,5	8113 BFK/17 TOP
25.820.1853.F	18	90	85	81,5	8113 BFK/18 TOP
25.820.1953.F	19	95	90	86,5	8113 BFK/19 TOP
25.820.2053.F	20	100	95	91,5	8113 BFK/20 TOP
25.820.2153.F	21	105	100	96,5	8113 BFK/21 TOP
25.820.2253.F	22	110	105	101,5	8113 BFK/22 TOP
25.820.2353.F	23	115	110	106,5	8113 BFK/23 TOP
25.820.2453.F	24	120	115	111,5	8113 BFK/24 TOP

.F	Farbe: colour:
.0	grau/grey Bedruckung: schwarz printing: black
.7	grün/green Bedruckung: schwarz printing: black

Tolerierung nach DIN 7167/Tolerance system acc. to DIN 7167. (This DIN-standard describes the envelope principle. According to the envelope principle the deviations of form and parallelism are limited by the size tolerances).		ja/yes <input checked="" type="checkbox"/> Stoffverbots- und Deklarationsliste nach UU-TQM-05/03 ist einzuhalten. Conformity with Wieland document UU-TQM-05/03 (list of prohibited / declarable hazardous substances) to be declared!	
Freitoleranz nach General tolerance		CAD - Zeichnung, keine manuellen Änderungen CAD - drawing, no manual modifications allowed	1.Verwendung: First Use: -
/		Werkstoff/Material	Blatt: 1 von 1 Sheet: of 1
/		2009 Tag/Date	T 25.820.0253.0 01K
/		Name	
/		Maßstab/Scale	Maße in mm/Dimensions are in mm
/		2:1	
/		Vol. mm <sup>3</sup> Ofl./Surf. mm <sup>2</sup>	Ersatz für/Replacement for: -
/			
/		Index Datum / Blatt Date / Sheet	LP_STECKKLEMME mit Federkraftanschluß, Rastermaß: 5mm with spring clamp connection, pitch: 5mm
/		Änderung/Revision	
/		wieland Elektrische Verbindungen	

Weitergabe sowie Vervielfältigung dieses Dokuments, Verwertung und Mitteilung seines Inhalts sind verboten, soweit nicht ausdrücklich gestattet. The reproduction, distribution and utilization of this document as well as the communication of its contents to others without express authorization is prohibited.

258200253001K\_4\_CAD/20236\_treschan 2009-08-27T10:29:04 1.000

QU-PEM-08/91