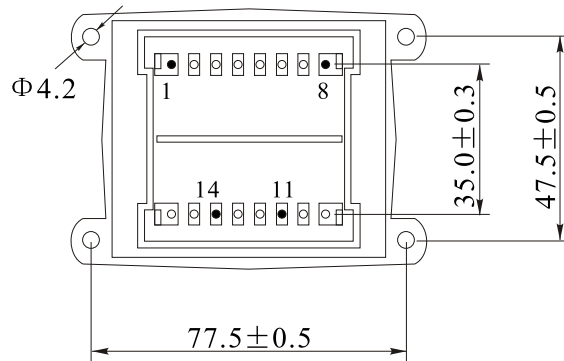
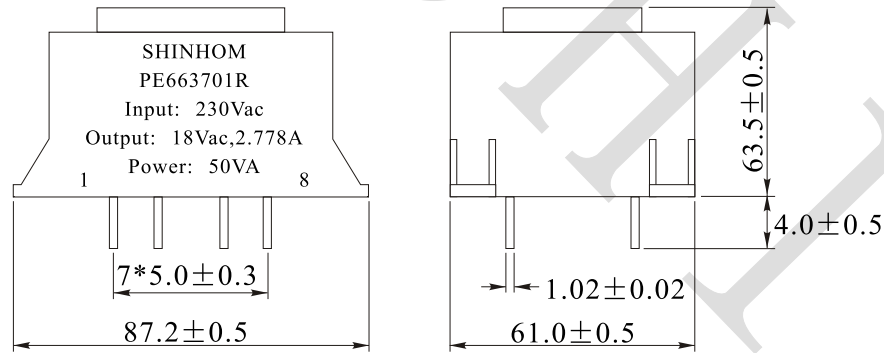
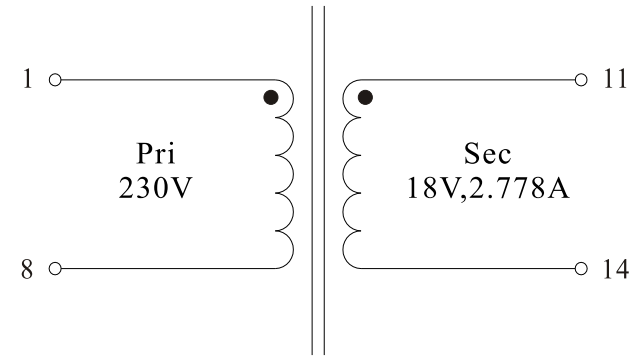


Rev.	Description	Date
A0	New release	2023.05.25

1. PHYSICAL CHARACTERISTICS(mm)



2. ELECTRONICAL SCHEMATIC



3. ELECTRONICAL SPECIFICATIONS

Input voltage: 230V
 Output voltage: 18V
 Output current: 2.778A@230V,50Hz
 Power: 50VA
 Hi-Pot: 3500V,50Hz,5mA,1S
 Storage temperature: -60°C to $+70^{\circ}\text{C}$
 Operating temperature: -30°C to $+70^{\circ}\text{C}$

NOTES:

Temp 20°C 48%RH
 RoHS Compliant

NAME:	Power transformers		
CUSTOMER P/N:	BV EI 665 1135	DATE:	2023-05-25
SHINHOM P/N:	PE663701R	REV: A0	PAGE
DRAWN BY	CHECKED BY	APPROVE BY	



SHINHOM
 SHAANXISHINHOM ENTERPRISE CO LTD

The Document property belong to SHINHOM & is not allowed to be duplicated without authorization