

Data sheet

Commercial Art.No.: 56.703.1053.9

Feed-through terminal WKF2,5/MD/35 ORANGE

Feed-through terminal with tension spring connection for mounting on TS35, nominal cross section: 2.5 mm², width: 10 mm, color: orange



Commercial Art.No.	56.703.1053.9
EAN	4015573375574
Order Unit	100

Certificates / Approvals



Technical data

General

Nominal cross section	2.5 mm ²
Color	orange
Number of levels	1
Number of clamp positions per level	4
Width/grid dimension	10 mm
Insulating housing	PA666
Inflammability class of insulation material acc. with UL94	V0
Explosion-tested version "Ex e"	No
Mounting method	DIN rail (top hat rail) 35/7.5 mm
Terminal blocks for electrical installations	yes

Technical data

Rated current	24 A
Rated voltage	800 V
Pollution degree	3
Closing plate required	yes
Type of insulation material	Thermoplastic
Length	36 mm

Connection Data

Connection type 1	spring clamp connection
Connection type 2	spring clamp connection

Minimum cross section solid	0.13 mm ²
Maximum cross section solid	4 mm ²
Minimum cross section fine stranded	0.13 mm ²
Maximum cross section fine stranded	2.5 mm ²
Wire strip length	11 mm

Technical Data UL/CSA

Cross section UL	22-12 AWG
Voltage UL	600 V
Current factory wiring	20 A
Current field wiring	20 A
Cross section CSA	24-12 AWG
Voltage CSA	600 V
Current CSA	25 A

Classification

ECLASS 11	
ECLASS 8.1	27141120
ETIM 7.0	EC000897
ETIM 6.0	EC000897
ETIM 5.0	EC000897
ETIM 4.0	EC000897
ETIM 3.0	EC000897

Product compliance

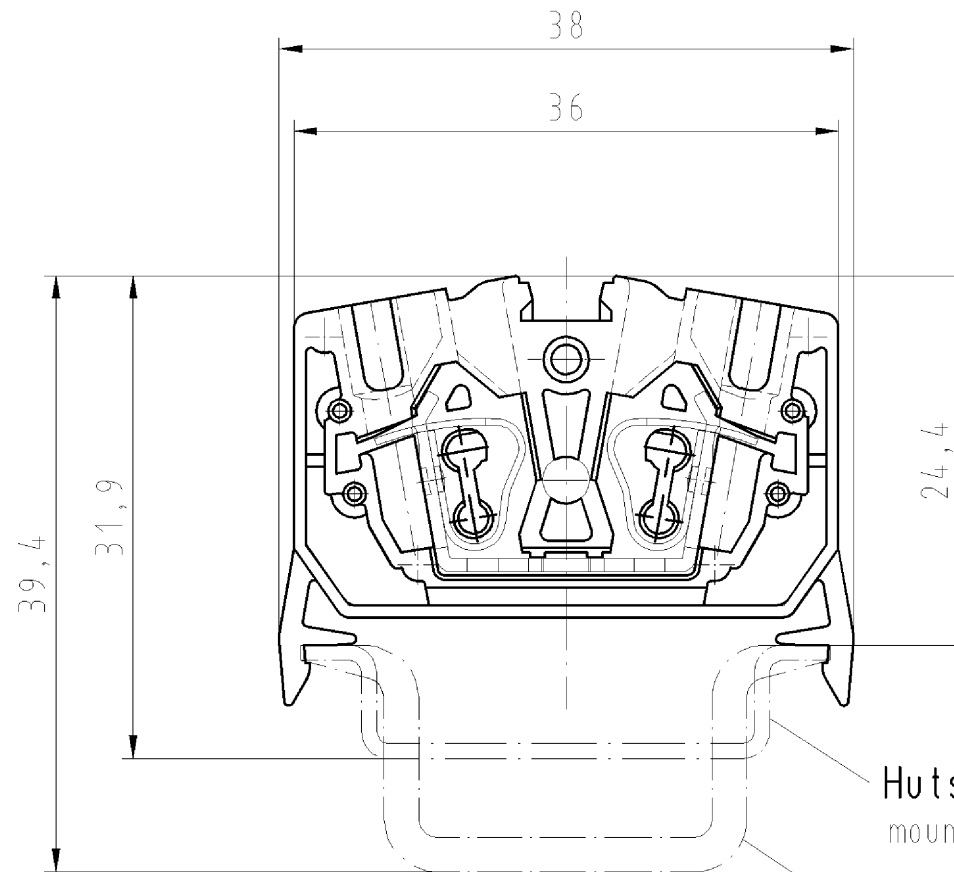
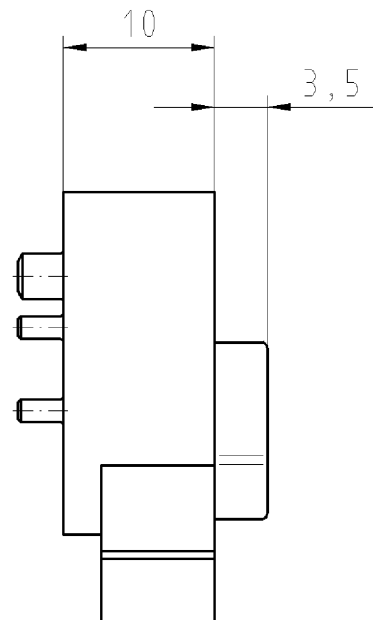
ROHS conformity status	Compliant
REACH-SVHC conformity status	Compliant

Accessories

Commercial Art.No.:	Article-type description:	Description:
98.300.0000.0	Mounting rail TS 35x7,5 UNPERF - l:2000mm	Mounting rail TS 35, unslotted, size 7,5 mm, length 2 m, material steel. galv. zinc-plated and dichromated
98.300.1000.0	Mounting rail TS 35x7,5 PERF 15mm - l:2000mm	Mounting rail TS 35, slotted, size 7,5 mm, length 2 m, material steel. galv. zinc-plated and dichromated
98.300.1900.0	Mounting rail TS 35x7,5 PERF 25mm - l:2000mm	Mounting rail TS 35, slotted, size 7,5 mm, length 2 m, material steel. galv. zinc-plated and dichromated
98.360.0000.0	Mounting rail TS 35x15-2,3 UNPERF - l:2000mm	Mounting rail TS 35, unslotted, size 15 mm, length 2 m, material steel. galv. zinc-plated and dichromated
98.360.0004.0	Mounting rail TS 35x15-2,3 UNPERF FZN - l:2000mm	Mounting rail TS 35, unslotted, size 15 mm, length 2 m, material steel, hot galvanized
98.370.0000.0	Mounting rail TS 35x15 UNPERF - l:2000mm	Mounting rail TS 35, unslotted, size 15 mm, length 2 m, material steel. galv. zinc-plated and dichromated
98.370.1000.0	Mounting rail TS 35x15 PERF 15mm - l:2000mm	Mounting rail TS 35, slotted, size 15 mm, length 2 m, material steel. galv. zinc-plated and dichromated
98.380.0000.0	Mounting rail TS 35x15-2,3 UNPERF CU - l:2000mm	Mounting rail TS 35, unslotted, size 15 mm, length 2 m, material E copper
07.312.2953.0	End plate APF 2,5 / M..	End plate for DIN rail terminal blocks type WKF 2,5/M..., color: grey
07.312.2953.6	End plate APF 2,5 / M.. BLAU	End plate for DIN rail terminal blocks type WKF 2,5/M..., color: blue
98.300.1800.0	Mounting rail TS 35x7,5 PERF 18mm - l:2000mm	Mounting rail TS 35, slotted, size 7,5 mm, length 2 m, material steel. galv. zinc-plated and dichromated

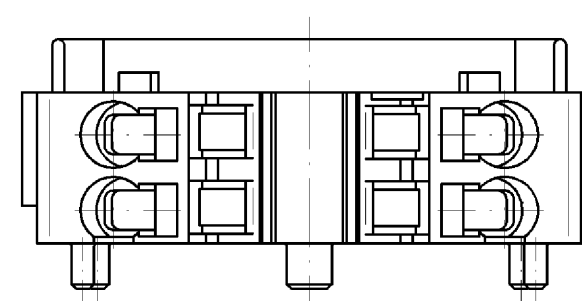
These dimensions will be especially checked at delivery
 Only inspection dimensions
 With /E marked dimensions are only valid for internal use

Diese Maße werden bei Abnahme besonders geprüft
 Ausschließlich Prüfmaße
 Mit /E gekennzeichnete Maße sind nur für interne Zwecke gültig



Hutschiene EN 60715-35x7,5
 mounting rail EN 60715-35x7,5

Hutschiene EN 60715-35x15
 mounting rail EN 60715-35x15



Weitere Daten siehe Katalog
 further data see catalog

Teile-Nr. part-no.	Farbe colour	Type type
56.703.1053.0	grau/gray	WKF2,5/MD/35
56.703.1053.6	blau/blue	WKF2,5/MD/35 BLAU
56.703.1053.7	grün/green	WKF2,5/MD/35 GRUEN
56.703.1053.9	orange/orange	WKF2,5/MD/35 ORANGE

Tolerierung nach DIN 7167/Tolerance system acc. to DIN 7167. (This DIN-standard describes the envelope principle. According to the envelope principle the deviations of form and parallelism are limited by the size tolerances).				ja/yes <input checked="" type="checkbox"/> Stoffverbots- und Deklarationsliste nach UU-TQM-05/03 ist einzuhalten. Conformity with Wieland document UU-TQM-05/03 (list of prohibited / declarable hazardous substances) to be declared!			
Freitoleranz nach General tolerance		CAD - Zeichnung, keine manuellen Änderungen CAD - drawing, no manual modifications allowed		1. Verwendung: First Use: -		Blatt: 1 von 1 Sheet: of 1	
/		Werkstoff/Material		2006 Tag/Date		Name	
/		Maßstab/Scale		gezeichnet drawn		11.12. Bauer F.	
/		2:1		geprüft checked		-	
/		Vol.		Nicht gepr. Stand. check		-	
/		mm ³ Ofl./Surf.		mm ³ Ersatz für/Replacement for: -		Zeichnung Nr./Drawing No.	
/		wieland		Type		Index	
/		Elektrische Verbindungen		WKF 2,5		T 56.703.1053.0 01K	
Index		Datum / Blatt Date / Sheet		Benennung/Title		Maße in mm/Dimensions are in mm	
Änderung/Revision				WKF 2,5 /MD/35..		DURCHGANGSKLEMME Federkraftanschluß 2,5mm ² feed-through block, spring clamp connection	

Weitergabe sowie Vervielfältigung dieses Dokuments, Verwertung und Mitteilung seines Inhalts sind verboten, soweit nicht ausdrücklich gestattet.
 The reproduction, distribution and utilization of this document as well as the communication of its contents to others without express authorization is prohibited.

567031053001K_4_CADW1032_Bauer 2006-12-11T11:54:06 1.000