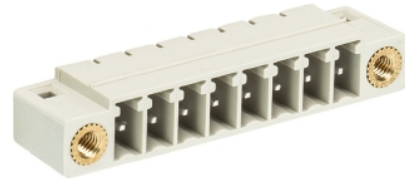


## Data sheet

Commercial Art.No.: 25.647.3853.0

PCB pin header 8513 S / 8 WF OB

PCB pin header with pin header, connection method depends on used socket part , 8 poles, pitch: 3.5 mm, type of packing: carton, color: grey



|                    |               |
|--------------------|---------------|
| Commercial Art.No. | 25.647.3853.0 |
| EAN                | 4015573541016 |
| Order Unit         | 50            |

Certificates / Approvals



## Technical data

### General

|  |                |
|--|----------------|
| Modular spacing                          | 3.5 mm         |
| Soldering process                        | Wave soldering |
| Packaging                                | Carton         |
| Number of poles                          | 8              |
| Number of levels                         | 1              |
| Marking                                  | No             |
| Fastening                                | None           |
| Mating direction towards (circuit) board | 180°           |

### Technical data

|                          |        |
|--------------------------|--------|
| Rated current            | 8 A    |
| Overvoltage Category I   | 690 V  |
| Overvoltage Category II  | 250 V  |
| Overvoltage Category III | 125    |
| Rated impulse voltage    | 2.5 kV |

### Technical Data UL/CSA

|                        |       |
|------------------------|-------|
| Voltage UL             | 300 V |
| Current field wiring   | 8 A   |
| Current factory wiring | 8 A   |
| Voltage CSA            | 300 V |
| Current CSA            | 5 A   |

### Other

|                             |               |
|-----------------------------|---------------|
| Type of insulation material | Thermoplastic |
| Color                       | Grey          |
| Height                      | 7.15 mm       |
| Length                      | 38.4 mm       |

|                          |        |
|--------------------------|--------|
| Depth                    | 9.2 mm |
| Material contact base    | CuZn   |
| Material contact surface | Sn     |

#### Classification

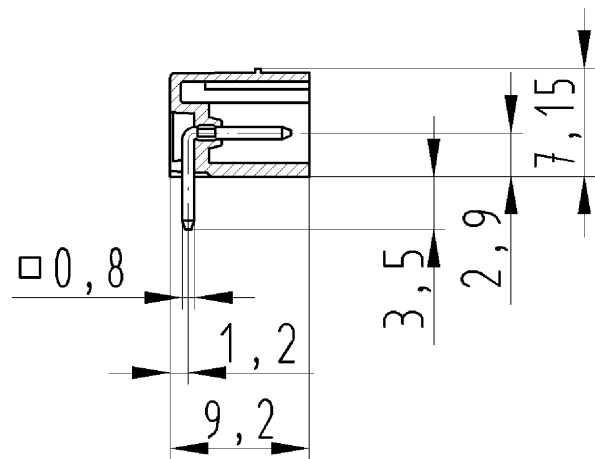
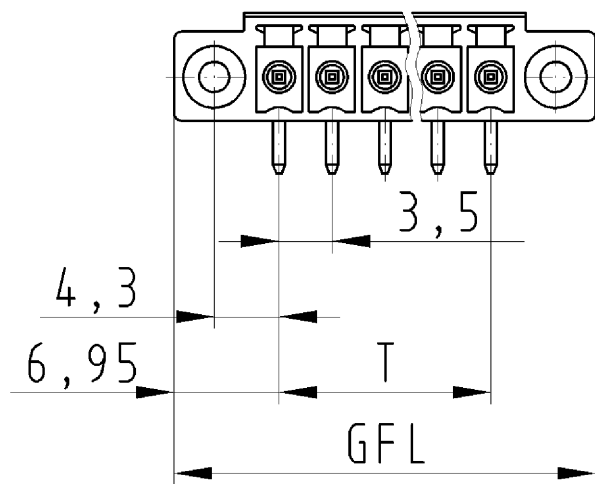
|            |          |
|------------|----------|
| ECLASS 11  |          |
| ECLASS 8.1 | 27440402 |
| ETIM 7.0   | EC002637 |
| ETIM 6.0   | EC002637 |
| ETIM 5.0   | EC002637 |
| ETIM 4.0   | EC002637 |

#### Product compliance

|                              |                    |
|------------------------------|--------------------|
| ROHS conformity status       | Compliant/Exempted |
| ROHS exceptions              | III-6(c)           |
| REACH-SVHC conformity status | Duty-To-Declare    |
| REACH-SVHC substances        | Lead               |
| REACH-SVHC CAS numbers       | 7439-92-1          |

#### Fits with

| Commercial Art.No.: | Article-type description:       | Description:  |
|---------------------|---------------------------------|---|
| 27.631.3853.0       | PCB connector 8513 BS / 8 F2 OB | PCB female connector, 8 poles, pitch: 3.5 mm, type of packing: carton, color: grey  |
| 25.641.3853.0       | PCB connector 8513 B / 8 F OB   | PCB female connector with screw connection with rising cage clamp system, 8 poles, max. cross section: 1.5 mm <sup>2</sup> , pitch: 3.5 mm, type of packing: carton, color: grey                  |
| 25.641.0853.0       | PCB connector 8513 B / 8 F      | PCB female connector with screw connection with rising cage clamp system, 8 poles, printed version, max. cross section: 1.5 mm <sup>2</sup> , pitch: 3.5 mm, type of packing: carton, color: grey |
| 25.631.3853.0       | PCB connector 8513 BFK / 8 F OB | PCB female connector with tension spring connection, 8 poles, max. cross section: 1.5 mm <sup>2</sup> , pitch: 3.5 mm, type of packing: carton, color: grey                                       |
| 25.631.0853.0       | PCB connector 8513 BFK / 8 F    | PCB female connector with tension spring connection, 8 poles, printed version, max. cross section: 1.5 mm <sup>2</sup> , pitch: 3.5 mm, type of packing: carton, color: grey                      |



für folgende Tabellen-Zchnng.:  
 25.647.3253.0 8513 S/...WF

LP.STIFTLEISTE  
 25.647.3253.0 10W  
 25.10.2007 DÜT  
 M 2:1