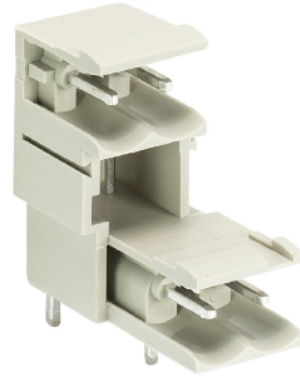


Data sheet

Commercial Art.No.: 25.356.3353.0

PCB pin header 8213 SE / 3 W OB

PCB pin header, connection method depends on used socket part , 3 poles, pitch:
5.08 mm, type of packing: carton, color: grey



Commercial Art.No.	25.356.3353.0
EAN	4015573195127
Order Unit	100

Certificates / Approvals



Technical data

General

Modular spacing	5.08 mm
Soldering process	Wave soldering
Packaging	Carton
Number of poles	3
Number of levels	2
Marking	No
Fastening	None
Mating direction towards (circuit) board	180°

Technical data

Rated current	10 A
Overvoltage Category I	1000 V
Overvoltage Category II	400 V
Overvoltage Category III	250 V
Rated impulse voltage	4 kV

Technical Data UL/CSA

Voltage UL	300 V
Current field wiring	15 A
Current factory wiring	15 A
Voltage CSA	300 V

Current CSA	10 A
-------------	------

Other

Type of insulation material	Thermoplastic
Color	Grey
Height	23.3 mm
Length	17.78 mm
Depth	22 mm
Material contact base	CuZn
Material contact surface	Sn

Classification

ECLASS 8.1	27440402
ETIM 7.0	EC002637
ETIM 6.0	EC002637
ETIM 5.0	EC002637
ETIM 4.0	EC002637

Product compliance

ROHS conformity status	Compliant
REACH-SVHC conformity status	Compliant

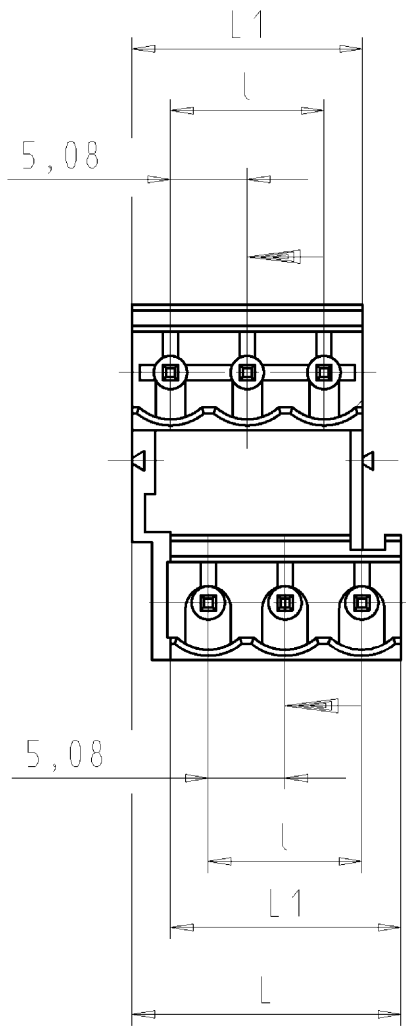
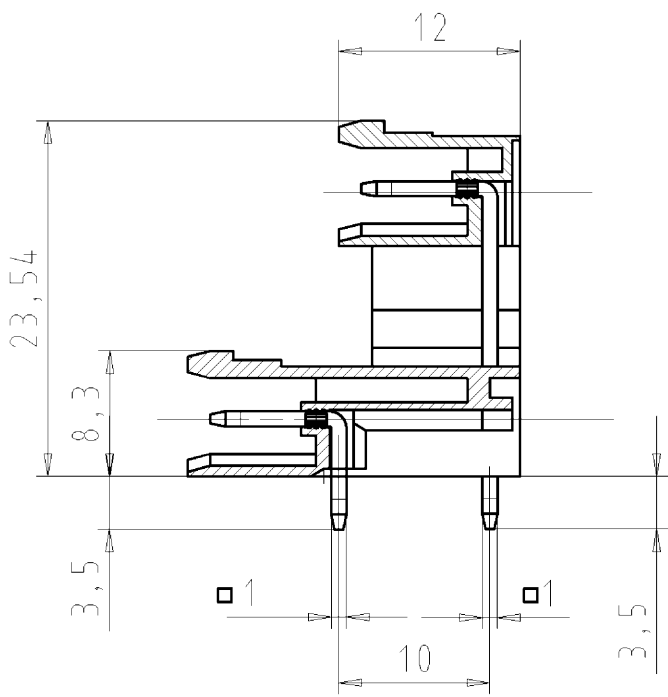
Fits with

Commercial Art.No.:	Article-type description:	Description:
25.240.3353.0	PCB connector 8213 B / 3 TOP OB	PCB female connector with front/top screw connection, 3 poles, max. cross section: 2.5 mm ² , pitch: 5.08 mm, type of packing: carton, color: grey
25.240.0353.0	PCB connector 8213 B / 3 TOP	PCB female connector with front/top screw connection, 3 poles, printed version, max. cross section: 2.5 mm ² , pitch: 5.08 mm, type of packing: carton, color: grey
25.340.3353.0	PCB connector 8213 B / 3 OB	PCB female connector with screw connection with rising cage clamp system, 3 poles, max. cross section: 2.5 mm ² , pitch: 5.08 mm, type of packing: carton, color: grey
25.340.0353.0	PCB connector 8213 B / 3	PCB female connector with screw connection with rising cage clamp system, 3 poles, printed version, max. cross section: 2.5 mm ² , pitch: 5.08 mm, type of packing: carton, color: grey
25.345.3353.0	PCB connector 8213 B / 3 VR OB	PCB female connector with screw connection with rising cage clamp system, 3 poles, max. cross section: 2.5 mm ² , pitch: 5.08 mm, type of packing: carton, color: grey
25.345.0353.0	PCB connector 8213 B / 3 VR	PCB female connector with screw connection with rising cage clamp system, 3 poles, printed version, max. cross section: 2.5 mm ² , pitch: 5.08 mm, type of packing: carton, color: grey
25.346.3353.0	PCB connector 8213 B / 3 VL OB	PCB female connector with screw connection with rising cage clamp system, 3 poles, max. cross section: 2.5 mm ² , pitch: 5.08 mm, type of packing: carton, color: grey
25.346.0353.0	PCB connector 8213 B / 3 VL	PCB female connector with screw connection with rising cage clamp system, 3 poles, printed version, max. cross section: 2.5 mm ² , pitch: 5.08 mm, type of packing: carton, color: grey
27.341.3353.0	PCB connector 8213 B / 3 S OB	PCB female connector, 3 poles, pitch: 5.08 mm, type of packing: carton,color: grey

25.840.3353.0	PCB connector 8213 BFK / 3 TOP OB	PCB female connector with tension spring connection, 3 poles, max. cross section: 2.5 mm ² , pitch: 5.08 mm, type of packing: carton, color: grey
25.840.0353.0	PCB connector 8213 BFK / 3 TOP	PCB female connector with tension spring connection, 3 poles, printed version, max. cross section: 2.5 mm ² , pitch: 5.08 mm, type of packing: carton, color: grey

These dimensions will be especially checked at delivery
 Only inspection dimensions
 With /E marked dimensions are only valid for internal use

Diese Maße werden bei Abnahme besonders geprüft
 Ausschließlich Prüfmaße
 Mit /E gekennzeichnete Maße sind nur für interne Zwecke gültig



.F	Farbe / colour
.0	grau / grey
.1	schwarz / black
.7	grün / green

Weitere Daten siehe Katalog
 further data see catalog

Teilenummer partnumber	Polzahl pole	L	L1	I
25.356.3253.F	2	12,7	10,16	5,08
25.356.3353.F	3	17,78	15,24	10,16

Tolerierung nach DIN 7167/Tolerance system acc. to DIN 7167.
 (This DIN-standard describes the envelope principle. According to the envelope principle the deviations of form and parallelism are limited by the size tolerances).

ja/yes Stoffverbots- und Deklarationsliste nach UU-TQM-05/03 ist einzuhalten.
 Conformity with Wieland document UU-TQM-05/03 (list of prohibited / declarable hazardous substances) to be declared!

Freitoleranz nach
 General tolerance

CAD - Zeichnung, keine manuellen Änderungen
 CAD - drawing, no manual modifications allowed

1.Verwendung: -
 First Use:

Blatt: 1 von 1
 Sheet: 1 of 1

	/		Werkstoff/Material	2011	Tag/Date	Name	Zeichnung Nr./Drawing No.	Index	
	/			gezeichnet drawn	01.06.	Schmitt J.			
	/	Maßstab/Scale 2:1		geprüft checked	-	-	T 25.356.3353.0 01K		
	/			Normgepr. Stand., check	-	-			
	/	Vol.	mm ³ Oil./Surf.	mm ²	Ersatz für/Replacement for: -			Maße in mm/Dimensions are in mm	
	/		wieland	Type	Benennung/Tittle				
	/			8213 SE/ 2-3W OB	double deck header LP_ETAGENSTIFTLST				
Index	Datum / Blatt Date / Sheet	Elektrische Verbindungen		passend für 8213 abgewinkelt ; ohne Kodierung suitable for 8213 angled ; without coding					
Änderung/Revision									

Weitergabe sowie Vervielfältigung dieses Dokuments, Verwertung und Mitteilung seines Inhalts sind verboten, soweit nicht ausdrücklich gestattet. Die Reproduktion, Distribution und Utilization of this document as well as the communication of its contents to others without express authorization is prohibited.