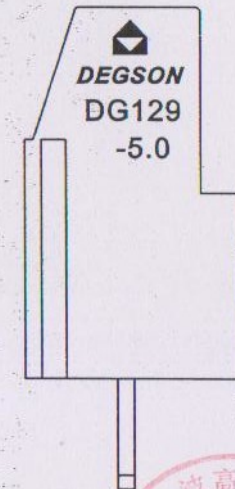
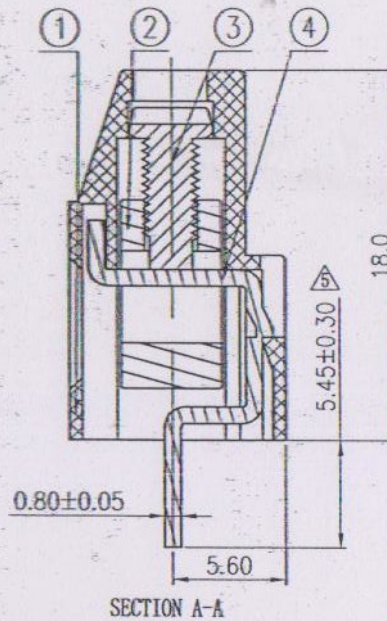
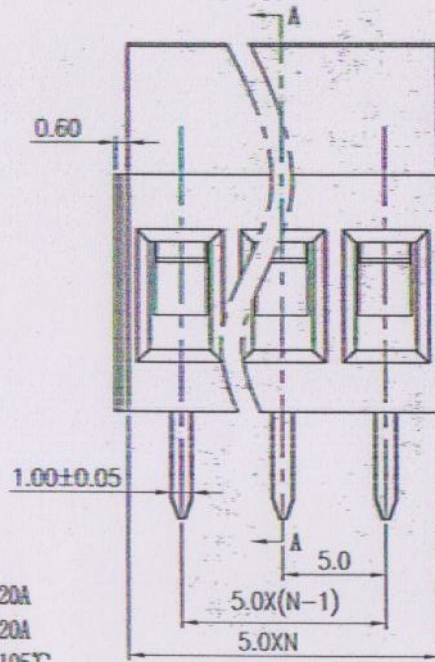
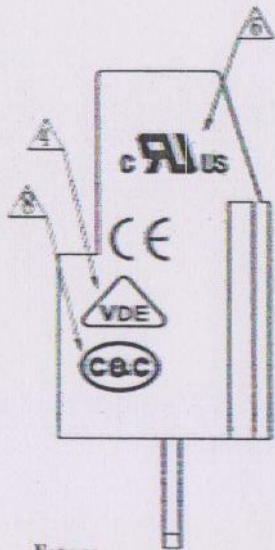
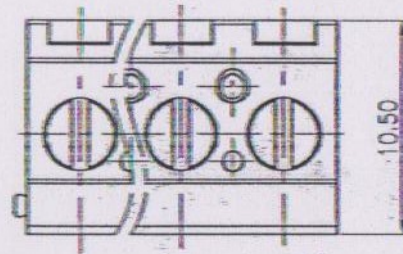


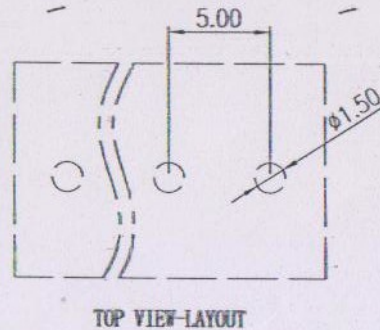
REVISION RECORD				
REV	ECD	DESCRIPTION	DRFT	DATE
①		Drawing Revise	Haoyh	03/29/06
②		增加VDE认证	CSX	01/12/07
③		出脚由5.35改为5.45±0.30	CSX	02/03/07
④		修改机刻字	CSX	08/06/07
⑤		品名料号增加环保标示“(H)”	LJH	05/23/09
⑥	11-0280	增加QC刻字	ZMT	12/17/11



Notes:

1. Pitch: 5.0mm, Poles: 2-XXP
2. Rated voltage/current: UL 300V/20A
VDE 250V/20A
3. Operation temperatures: -40°C ~ +105°C
4. Withstanding Voltage: AC2000V/1Min
5. Insulation Resistance: 5000MΩ/DC1000V
6. Wire Range: 26~12AWG, 0.5~2.5mm²
7. Max. Torque Value: M3, 5.1kgf.cm
8. Undimensioned Tolerances:

Pitch range in mm		Nominal dimension range in mm						
to	over	to	over	to	over	to	over	
6	10	30	60	100	150			∅
10	24	30	60	100	150			D
±0.10	±0.15	±0.25	±0.2±0.3	±0.5±0.7	±1.0	±0.05		



4	DG129-Pin_header	4029B00D10 (H)	XX	Barss-	SnCe
3	DG129 Screws-M3	S000001430 (H)	XX	Steel	Cr ³⁺ Zn
2	DG129 Cage	X00000C200 (H)	XX	Brass	Ni plated
1	DG129-5.0-Housing	4029A0YXXA (H)	1	PA66	UL94V-0

ITEM	NAME OF PART	NO. OF PART	Q'TY	MATERIAL	NOTES																				
<table border="1"> <tr> <td>DATE 07/14/04</td> <td>DATE 12/17/11</td> </tr> <tr> <td>DATE</td> <td>DATE</td> </tr> <tr> <td>DATE</td> <td>DATE</td> </tr> <tr> <td>DATE</td> <td>DATE</td> </tr> <tr> <td>DATE</td> <td>DATE</td> </tr> </table>						DATE 07/14/04	DATE 12/17/11	DATE	DATE	DATE	DATE	DATE	DATE	DATE	DATE										
DATE 07/14/04	DATE 12/17/11																								
DATE	DATE																								
DATE	DATE																								
DATE	DATE																								
DATE	DATE																								
<table border="1"> <tr> <td colspan="2">DEGSON® 宁波高正电子有限公司</td> <td colspan="2">DEGSON ELECTRONICS CO., LTD</td> </tr> <tr> <td colspan="4">NAME NO COVER</td> </tr> <tr> <td colspan="4">DG129-5.0-XXP-1Y-01A(H)</td> </tr> <tr> <td colspan="2">DRAWING NO. DG129-5.0-E03</td> <td>SIZE A3</td> <td>REV T8</td> </tr> <tr> <td colspan="2">/PART NO.</td> <td></td> <td>12/17/11</td> </tr> </table>						DEGSON® 宁波高正电子有限公司		DEGSON ELECTRONICS CO., LTD		NAME NO COVER				DG129-5.0-XXP-1Y-01A(H)				DRAWING NO. DG129-5.0-E03		SIZE A3	REV T8	/PART NO.			12/17/11
DEGSON® 宁波高正电子有限公司		DEGSON ELECTRONICS CO., LTD																							
NAME NO COVER																									
DG129-5.0-XXP-1Y-01A(H)																									
DRAWING NO. DG129-5.0-E03		SIZE A3	REV T8																						
/PART NO.			12/17/11																						
DO NOT SCALE DRAWING				SHEET 1	OF 1																				