

D-SUB Series

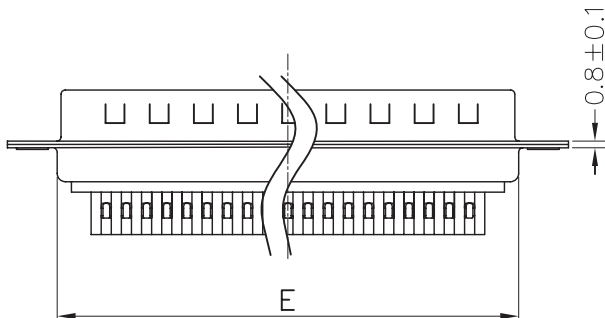
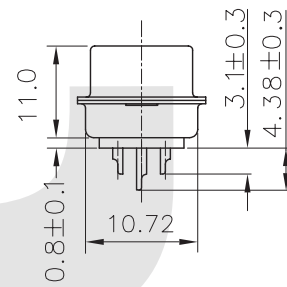
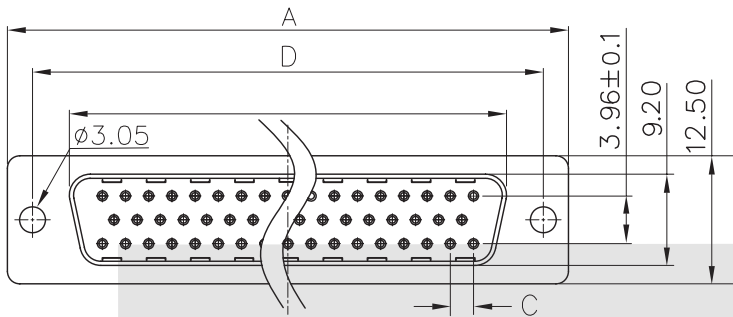
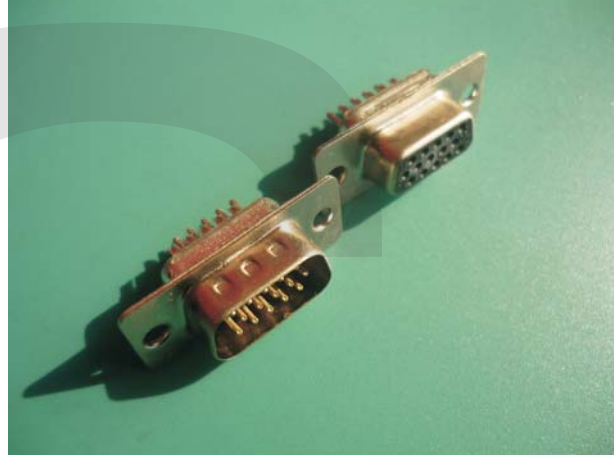
KLS1-214 D-SUB 3 ROW H.D. SOLDER TYPE

Electrical Specification:

Current Rating: 2 AMP
 Insulator Resistance: 5000M ohms min. at DC 500V
 Contact Resistance: 20m ohms max. at DC 100mA
 Operating Temperature: -55°C~+105°C

Material:

Housing: 30% Glass filled PBT UL94V-0
 Contacts: Phosphor Bronze
 Shell: Steel, 100u" Tin Over 50u" min Nickel
 Clinch Nut: Brass, 100u" min Nickel Plated
 Screwlock: Brass, 100u" min Nickel Plated



78	66.90	52.86	2.41	61.11	55.30
62	69.30	55.40	2.41	63.50	57.70
44	53.00	39.00	2.29	47.04	41.30
26	39.10	25.30	2.29	33.32	27.50
15	30.00	17.90	2.29	24.99	19.30
PIN NO:	A±0.30	B±0.20	C±0.10	D±0.20	E±0.20

ORDER INFORMATION

Product NO.: KLS1-214-XX -M -L

Pos. NO. _____ L=Blue B=Black
 001=001 pos.
 Contact Number of Row _____
 214=HDB Series
 Number of Contacts _____ M=Male F=Female

Connector

D-SUB Series

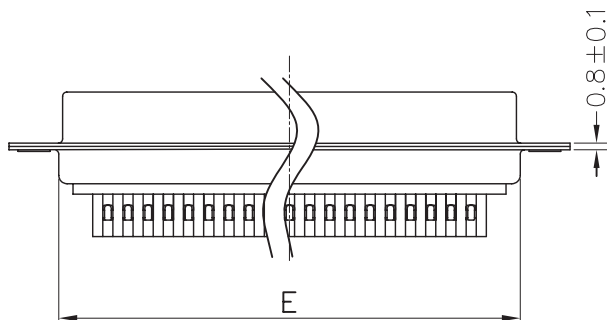
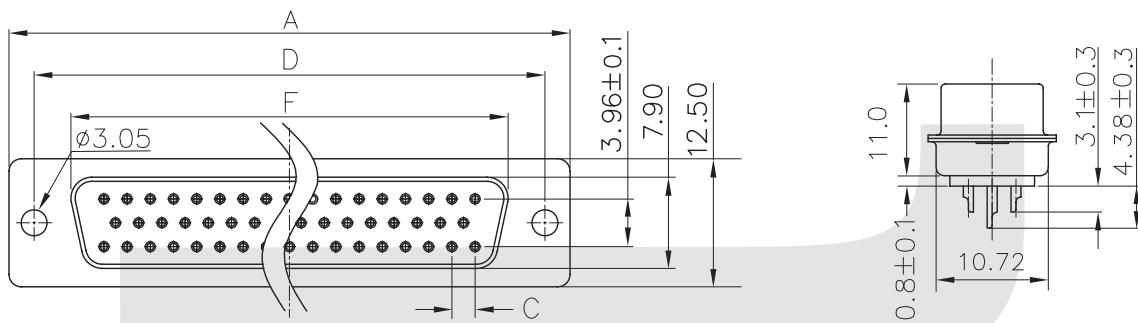
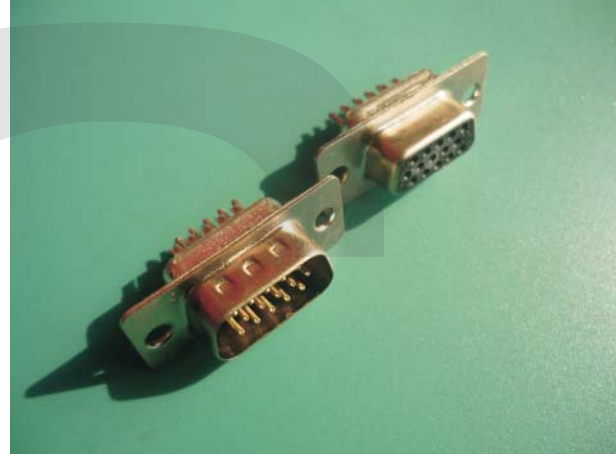
KLS1-214 D-SUB 3 ROW H.D. SOLDER TYPE

Electrical Specification:

Current Rating: 2 AMP
 Insulator Resistance: 5000M ohms min. at DC 500V
 Contact Resistance: 20m ohms max. at DC 100mA
 Operating Temperature: -55°C~+105°C

Material:

Housing: 30% Glass filled PBT UL94V-0
 Contacts: Phosphor Bronze
 Shell: Steel, 100u" Tin Over 50u" min Nickel
 Clinch Nut: Brass, 100u" min Nickel Plated
 Screwlock: Brass, 100u" min Nickel Plated



78	66.90	2.41	61.11	55.30	52.34
62	69.30	2.41	63.50	57.70	54.80
44	53.00	2.29	47.04	41.30	38.40
26	39.10	2.29	33.32	27.50	24.70
15	30.00	2.29	24.99	19.30	16.30
PIN NO:	A±0.30	C±0.10	D±0.20	E±0.20	F±0.20

ORDER INFORMATION

Product NO.: KLS1-214-XX -F -L

Pos. NO. _____ L=Blue B=Black
 001=001 pos.
 Contact Number of Row _____
 214=HDB Series
 Number of Contacts _____ M=Male F=Female