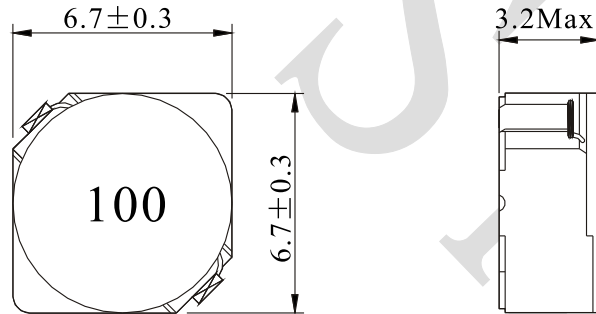
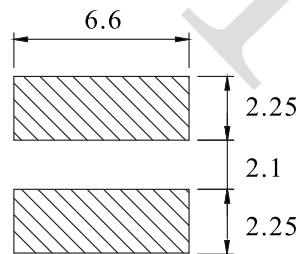
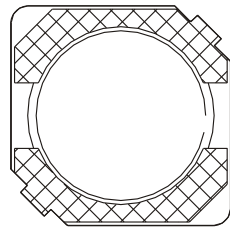


| Rev. | Description | Date |
|------|-------------|------------|
| A0 | New release | 2022.05.30 |
| | | |
| | | |
| | | |

1. PHYSICAL CHARACTERISTICS (mm)



LAND PATTERNS



3. ELECTRICAL SPECIFICATIONS

L: 10uH ± 20% @ 100KHz, 0.1V

DCR: 58mΩ Max

Isat: 1.3A Max (Inductance drop 10% Max)

Operating temperature: -40°C to +125°C

Storage temperature: -40°C to +125°C

Test Instrument:

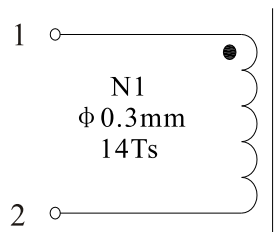
L: HP4284A

RDC: HM2540

Note:

- Solderability: leads shall meet MIL-STD-202, Method 208D for solderability.
- Flammability: UL94V-0
- ASTM oxygen index: >28%

2. ELECTRICAL SCHEMATIC



| | | | |
|---------------|---|------------|------------|
| NAME: | Magnetic shielded surface-mount power inductors | | |
| CUSTOMER P/N: | B82462G4103M000 | DATE: | 2022-05-30 |
| SHINHOM P/N: | SDRH6D28-100M-1.3A | REV: A0 | PAGE |
| DRAWN BY | CHECKED BY | APPROVE BY | |



SHINHOM
SHAANXISHINHOM ENTERPRISE CO LTD

The Document property belong to SHINHOM & is not allowed to be duplicated without authorization