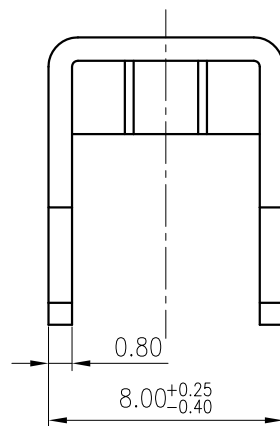
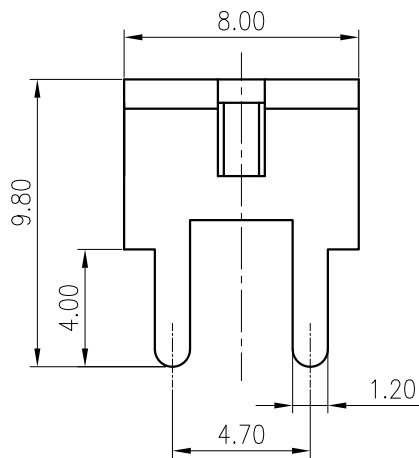
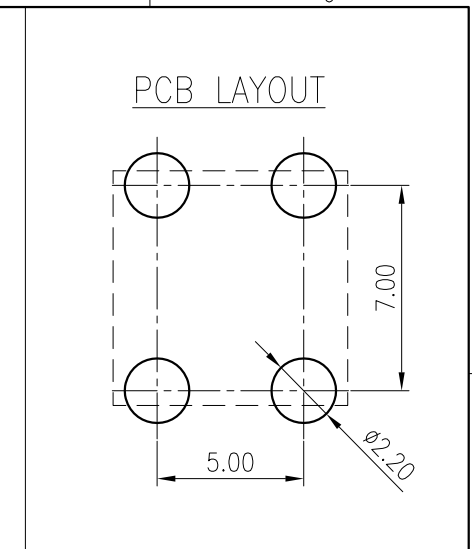
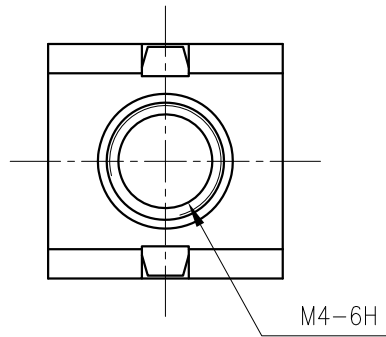


A

B

C

D



NOTES1:

UL Standard

1.Rated current : 25A

2.Torque value : M4 , 2.0N· m (17.54Lb.in,20.40kgf· cm)

NOTES2:

1.Dimension shall be interpreted per ASME Y14.5-2009

2.Undimensioned tolerances:

| Pitch range in mm |       | Nominal dimension range in mm |       |       |       | -      | ∩     | ∇   |
|-------------------|-------|-------------------------------|-------|-------|-------|--------|-------|-----|
| TO                | Over  | TO                            | Over  | TO    | Over  | 0.1/10 |       |     |
| 6                 | 10    | 10                            | 24    | 30    | 60    | 100    | 150   | <   |
| ±0.15             | ±0.20 | ±0.30                         | ±0.30 | ±0.50 | ±0.70 | ±1.00  | ±1.30 | ±2' |

3.RoHS Compliance

|      |              |              |              |
|------|--------------|--------------|--------------|
| 1    | P'in Header  | Copper alloy | M4/Sn Plated |
| ITEM | NAME OF PART | MATERIAL     | NOTES        |

|                          |   |             |           |          |            |           |
|--------------------------|---|-------------|-----------|----------|------------|-----------|
| MATERIAL: /              |   | SURFACE: /  |           |          |            |           |
| MAT NO.: /               | 宁波高松电子有限公司<br>NINGBO DEGSON ELECTRICAL CO., LTD |             |           |          |            |           |
| STATUS: /                |   |             |           |          |            |           |
| APPD:                    | NAME: K93-01A(H)                                |             |           |          |            |           |
| CHKD:                    | DRAWING NO.: K93-C01                            |             |           |          |            |           |
| DRFT: Desinly 2018.08.29 | TYPE: CUSTOMER DRAWING                          |             | REV TO    |          |            |           |
| REV                      | ECN   | DESCRIPTION | DRFT DATE | SIZE: A4 | SCALE: 4:1 | SHEET 1/1 |