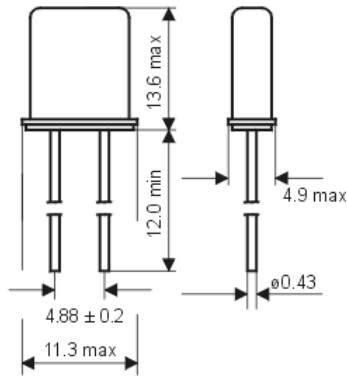


Quartz Crystal

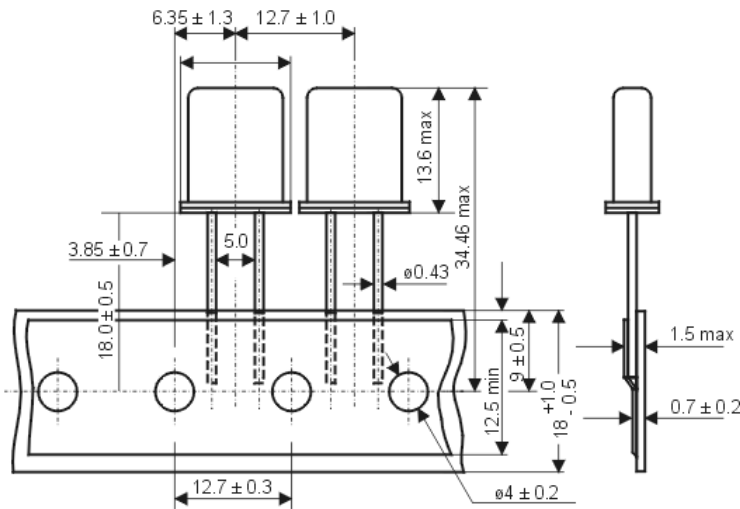
HC-49/U

model	KX-49
frequency range	20 ~ 90 MHz
mode	3 rd overtone
operating temperature	standard -20° ~ + 70°C available -40° ~ + 85°C (= KX-49T) available -40° ~ +105°C (= KX-49E)
frequency tolerance at +25°C	standard: ± 30 ppm available: ± 5 ~ 50 ppm
temperature tolerance at -20° ~ +70°C	standard: ± 50 ppm available ± 5 ~ 50 ppm
load capacitance C _L	20,0~40,0 MHz: 20~30 pF > 40,0 MHz: series
series resonance R1 max.	30 ~ 60 Ohm
aging at +25°C (first year) max.	± 5 ppm
shunt capacitance C ₀ max.	7 pF
drive level max	0,5 ~ 2 mW
order no.	12.xxxxx

Dimensions (mm):

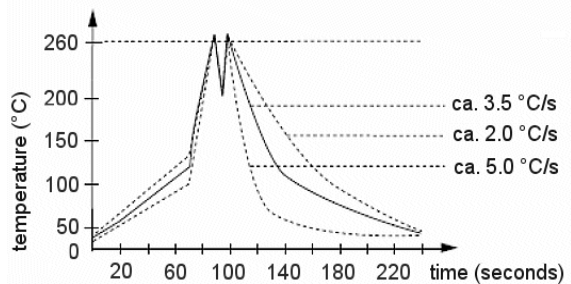


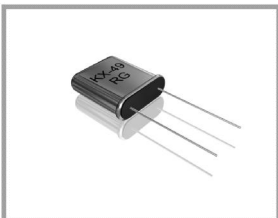
Tape Specification:



taped crystals upon request

Wave soldering condition:



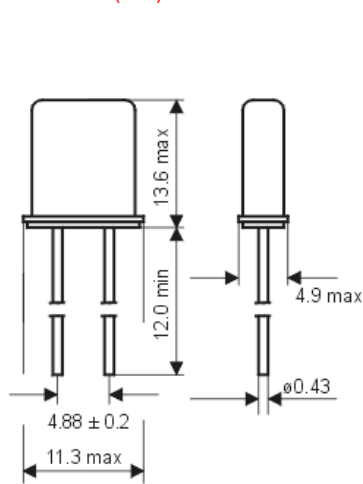


Quartz Crystal

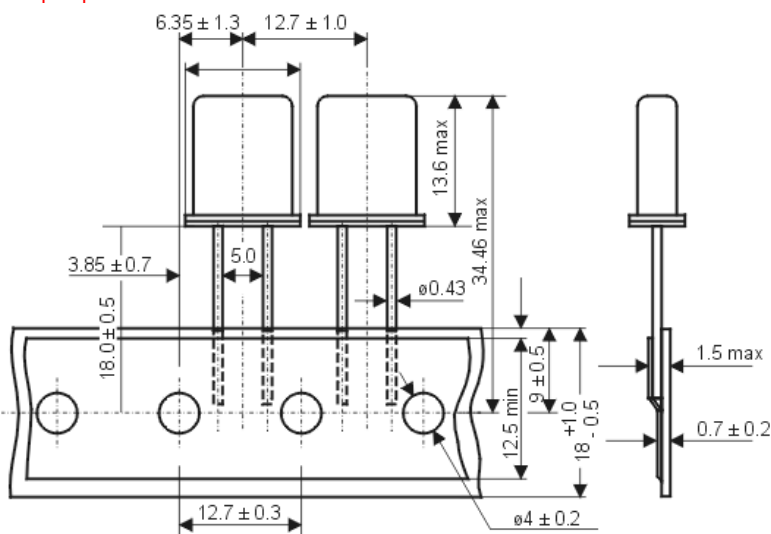
HC-49/U

model	KX-49
frequency range	50 ~ 150 MHz
mode	5 th overtone
operating temperature	standard -20° ~ + 70°C available -40° ~ + 85°C (= KX-49T) available -40° ~ +105°C (= KX-49E)
frequency tolerance at +25°C	standard: ± 30 ppm available: ± 5 ~ 50 ppm
temperature tolerance at -20° ~ +70°C	standard: ± 50 ppm available ± 5 ~ 50 ppm
load capacitance C _L	series
series resonance R1 max.	40 ~ 70 Ohm
aging at +25°C (first year) max.	± 5 ppm
shunt capacitance C ₀ max.	7 pF
drive level max	0,1 ~ 0,5 mW
order no.	12.xxxxx

Dimensions (mm):

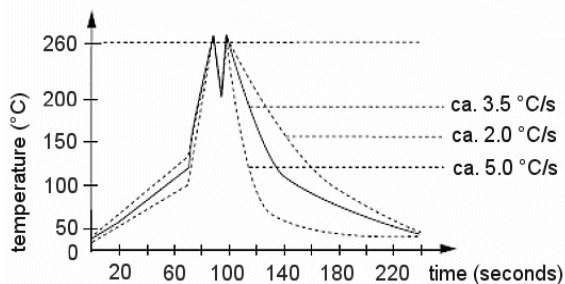


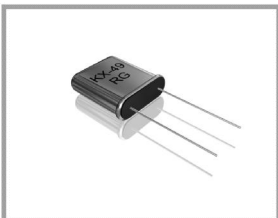
Tape specification:



taped crystals upon request

Wave soldering condition:



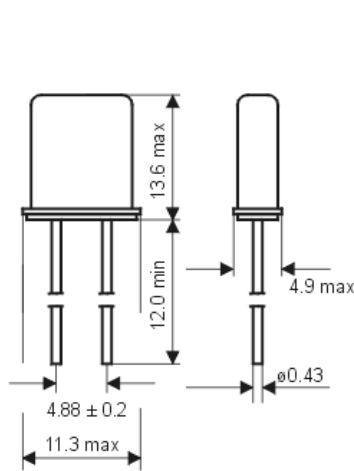


Quartz Crystal

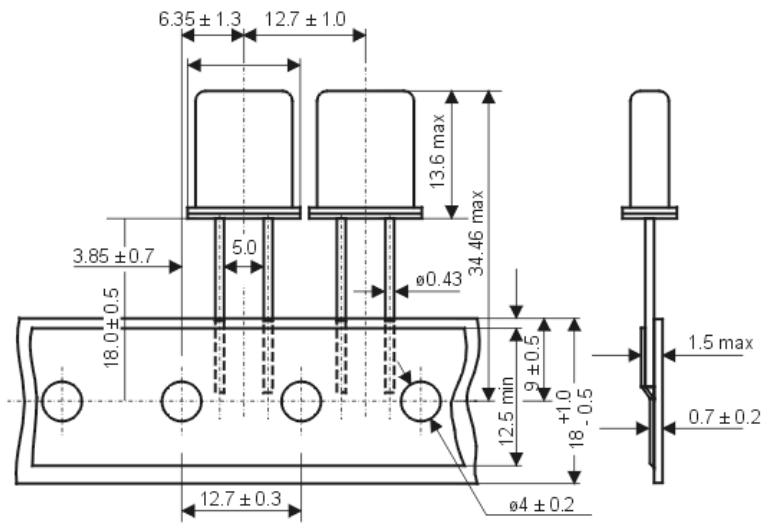
HC-49/U

model	KX-49
frequency range	110 ~ 200 MHz
mode	7 th overtone
operating temperature	standard -20° ~ + 70°C available -40° ~ + 85°C (= KX-49T) available -40° ~ +105°C (= KX-49E)
frequency tolerance at +25°C	standard: ± 30 ppm available: ± 5 ~ 50 ppm
temperature tolerance at -20° ~ +70°C	standard: ± 50 ppm available ± 5 ~ 50 ppm
load capacitance C _L	series
series resonance R1 max.	80 ~ 120 Ohm
aging at +25°C (first year) max.	± 5 ppm
shunt capacitance C ₀ max.	7 pF
drive level max	0,1 ~ 0,5 mW
order no.	12.xxxxx

Dimensions (mm):



Tape specification:



taped crystals upon request

Wave soldering condition:

