

Data sheet

Commercial Art.No.: 96.031.0153.1

Connector RST20i3F B2 ZR2 SW

RST20i3 connector, 3 pole, female, spring clamp connection, application 250V with PE, 20A, for cable diameters 10-14mm, coding color black, color of housing black



Commercial Art.No.	96.031.0153.1
EAN	4015573743489
Order Unit	1

Certificates / Approvals



Technical data

General

Rated current	20 A
Rated voltage	250 V
Rated impulse voltage	4 kV
strain relief	yes
Pollution degree	3
Lockable	self-locking (unlocking by tool)
Color of coding/ contact carrier	black
Marking of poles	L, N, PE
Color of housing inclusive strain relief	black

Connection Data

Cable diameter max.	14 mm
Cable diameter min.	10 mm
Connection cross section solid mm ² max.	2.5 mm ²
Connection cross section solid mm ² min.	0.5 mm ²
Connection cross section solid AWG min.	20 AWG
Connection cross section solid AWG max.	14 AWG
Connection cross section fine stranded mm ² max.	1.5 mm ²
Connection cross section fine stranded mm ² min.	0.5 mm ²
Terminations per pole	2
Connection cross section stranded mm ² min.	0.75 mm ²
Connection cross section stranded mm ² max.	1.5 mm ²
Connection cross section stranded AWG min.	20 AWG
Connection cross section stranded AWG max.	16 AWG
sheath strip length	35 mm
Wire strip length	14.5 mm

Model

Model	female
Connection type	spring clamp connection
Degree of protection (IP)	IP66/68 (3m;2h) /IP69

Material

Housing material	Polyamide
halogen free	yes
Contact material	CuZn
Fire load	0.292 kWh
Insulation components continuous temperature	100 °C
Surface finish	Silver-plated

Dimensions

Length	82 mm
Width	34.6 mm
Height	34.6 mm

Note

Note	Fine stranded and stranded conductors require cable end sleeve
------	--

Classification

ECLASS 11	
ECLASS 8.1	27440605
ETIM 7.0	EC002560
ETIM 6.0	EC002560
ETIM 5.0	EC002560
ETIM 4.0	EC002560

Product compliance

ROHS conformity status	Compliant/Exempted
ROHS exceptions	III-6(c)
REACH-SVHC conformity status	Duty-To-Declare
REACH-SVHC substances	Lead
REACH-SVHC CAS numbers	7439-92-1

Accessories

Commercial Art.No.:	Article-type description:	Description:
06.502.4300.0	screwdriver DIN 5264 A 0,4 X 2,5	Screw driver according to DIN 5264 A, blade: 0.4x2.5 mm, long and straight version
95.101.1300.0	ferrule crimping tool 0,08 - 10 mm ²	Crimping tool for ferrules, wire strip length: 7-28 mm, nominal cross section: 0,08-10 mm ² , length of tool: 180 mm
06.600.3627.0	ferrules DIN 46228-E1-12	RST end sleeve, for spring clamp contact, with insulating sleeve, for cross section 1.0 mm ² /AWG17
06.600.3727.0	ferrules DIN 46228-E0,75-12	RST end sleeve, for spring clamp contact, with insulating sleeve, for cross section 0.75-1.0 mm ² /AWG17

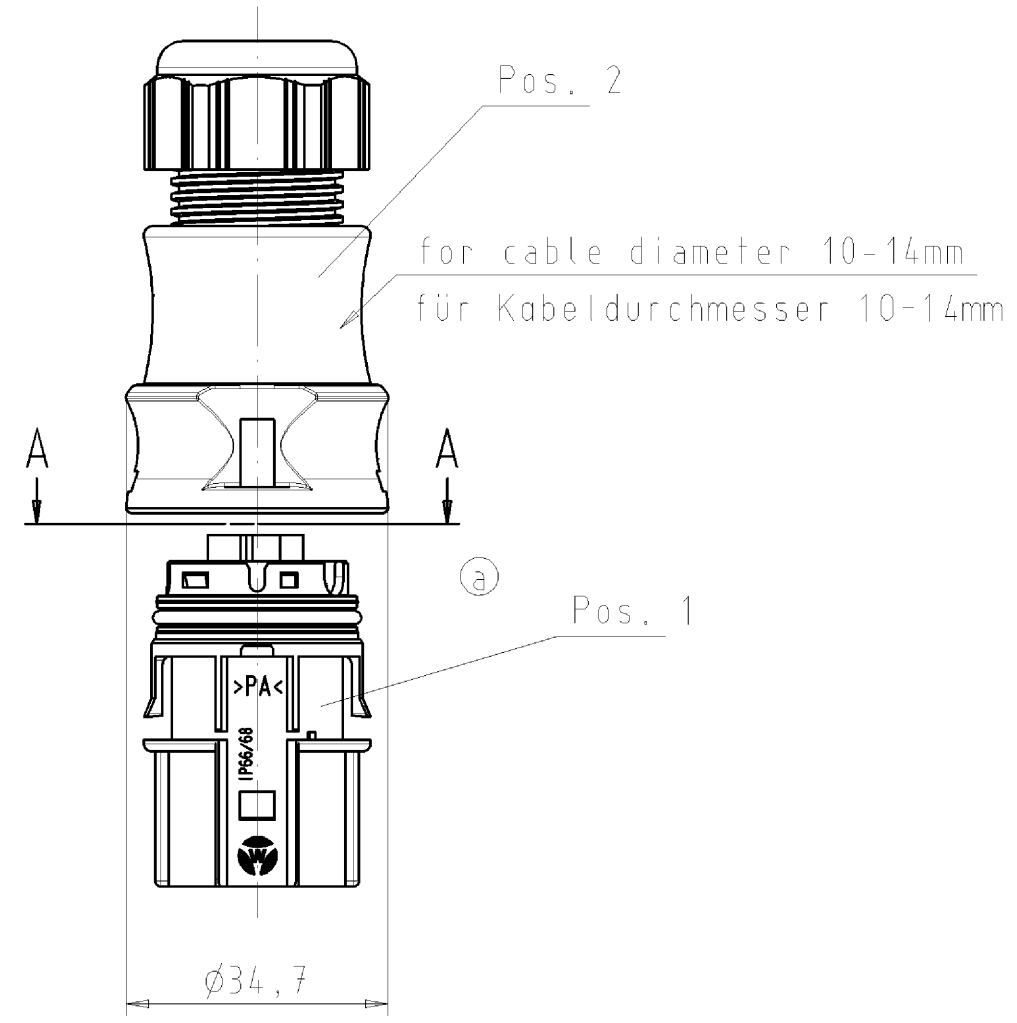
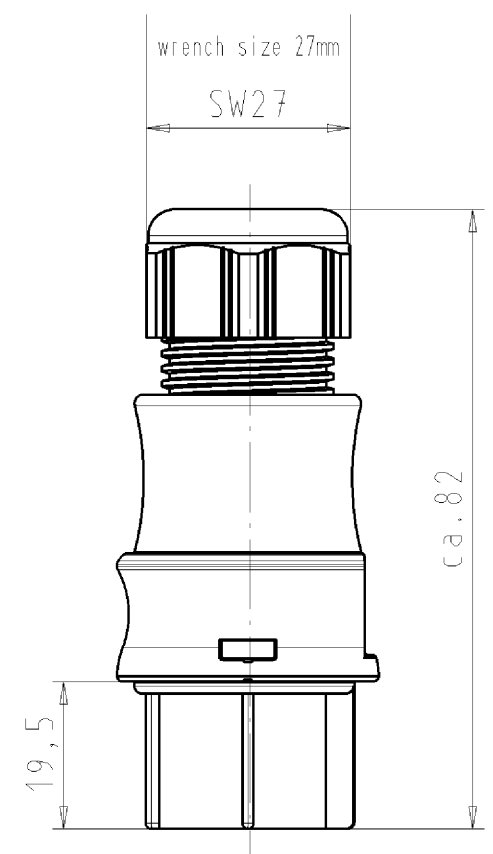
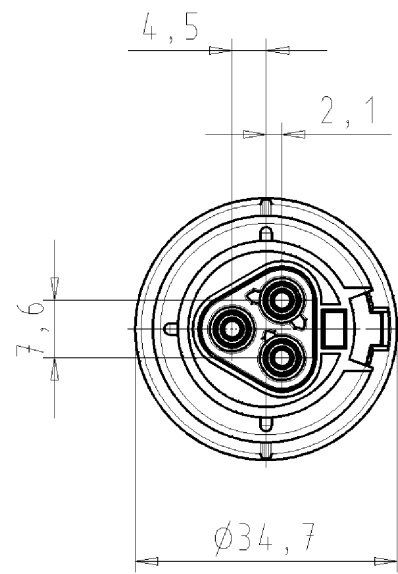
06.600.3827.0	ferrules DIN 46228-E0,5-10	RST end sleeve, for spring clamp contact, with insulating sleeve, for cross section 0.5 mm ² /AWG20
06.600.3927.0	ferrules DIN 46228-E1,5-12	RST end sleeve, for spring clamp contact, with insulating sleeve, for cross section 1.5 mm ² /AWG16
99.414.6205.2	Cover for female connector SW	RST20i3/2 cover piece, for covering unused female connectors, with fastening belt, color schwarz
Z5.564.4553.1	Cover for female connector SW	RST20i3/2 cover piece, for covering unused female connectors, color black

Fits with

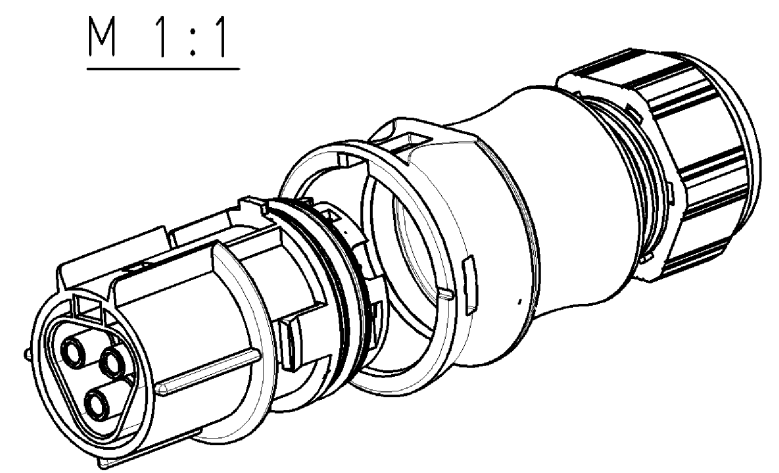
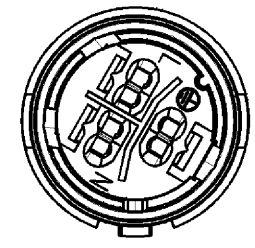
Commercial Art.No.:	Article-type description:	Description:
96.030.0153.1	Distributor RST20i3V 3P1 F V SW	RST20i3 distribution block, 3 pole, application 250V with PE, 20A, 1 input and 3 outputs, with fastening option, coding color black, color of housing black
96.032.0153.1	Connector RST20i3F S2 ZR2 V SW	RST20i3 connector, 3 pole, male, spring clamp connection, application 250V with PE, 20A, for cable diameters 10-14mm, coding color black, color of housing black
96.032.1053.1	Device connector RST20i3F S2 M01V SW	RST20i3 device connector M25, 3 pole, male, spring clamp connection, application 250V with PE, 20A, coding color black
96.032.2153.1	Device connector RST20i3F S2 M03V SW	RST20i3 device connector M16, 3 pole, male, spring clamp connection, modular, application 250V with PE, 20A, coding color black, color of housing black
96.032.2053.1	Device connector RST20i3F S2 M00V SW	RST20i3 device connector M20, 3 pole, male, spring clamp connection, modular, application 250V with PE, 20A, coding color black, color of housing black
96.034.2053.1	Device connector RST20i3F S2 M90V SW	RST20i3 device connector (90° angled) M20, 3 pole, male, spring clamp connection, modular, application 250V with PE, 20A, coding color black, color of housing black
96.036.2153.1	Device connector RST20i3F S2 M13V SW	RST20i3 device connector (7° angled) M16, 3 pole, male, spring clamp connection, modular, application 250V with PE, 20A, coding color black, color of housing black
96.034.0153.1	Connector RST20i3F S1 YR2 V SW	RST20i3 connector (90° angled), 3 pole, male, spring clamp connection, application 250V with PE, 20A, for cable diameters 10-14mm, coding color black, color of housing black

These dimensions will be especially checked at delivery
Only inspection dimensions
With ±E marked dimensions are only valid for internal use

Diese Maße werden bei Abnahme besonders geprüft
Ausschließlich Prüfmaße
Mit ±E gekennzeichnete Maße sind nur für interne Zwecke gültig



view A-A
Ansicht A-A



M 1:1

Verpackungseinheit: je 100 Stk.
packaging unit: per 100

Teile-Nr./ part-nr.	Pos. 1 Kontaktteil contact part	Pos. 2 Griffhülse grip sleeve
96.031.0153.1	schwarz / black	schwarz / black
96.031.0153.0	lichtgrau / lightgrey	lichtgrau / lightgrey
60.000.0353.7	lichtgrau / lightgrey	schwarz / black

Tolerierung nach DIN 7167/Tolerance system acc. to DIN 7167. (This DIN-standard describes the envelope principle. According to the envelope principle the deviations of form and parallelism are limited by the size tolerances).				ja/yes <input checked="" type="checkbox"/> Stoffverbots- und Deklarationsliste nach UU-TQM-05/03 ist einzuhalten. Conformity with Wieland document UU-TQM-05/03 (list of prohibited / declarable hazardous substances) to be declared!					
Freitoleranz nach General tolerance		16901 Toleranzgruppe 130		CAD - Zeichnung, keine manuellen Änderungen CAD - drawing, no manual modifications allowed		1. Verwendung: First Use: -		Blatt: 1 von 1 Sheet: of 1	
/		Werkstoff/Material		2003 Tag/Date		Name		Zeichnung Nr./Drawing No.	
/		Werkstoff und Oberfläche: material and surface:		gezeichnet drawn		21.10.		Kneitz	
/		Maßstab/Scale		geprüft checked		-		T	
/		1:1		Nicht gepr. Stand. check		-		96.031.0153.0 01K b	
/		Vol. mm ³ Ofl./Surf. mm ²		Ersatz für/Replacement for: -		Maße in mm/Dimensions are in mm			
b 15.02.2008/ a 29.04.2005/ Index Datum / Blatt Date / Sheet		wieland		Type		Benennung/Title			
Änderung/Revision		Elektrische Verbindungen				BUCHSENTEIL MIT ZUGENTLASTUNG			
						female connector with cord grip			
						RST2013F B2 ZR2 V			

Weitergabe sowie Vervielfältigung dieses Dokuments, Verwertung und Mitteilung seines Inhalts sind verboten, soweit nicht ausdrücklich gestattet. Die Reproduktion, Distribution und Nutzung dieses Dokuments, sowie die Kommunikation der Inhalte mit anderen, ist ohne schriftliche Genehmigung der Wieland-Gruppe ist untersagt.

960310153001K_4_CADW1044_treschan 2008-02-15T12:19:46 1.000