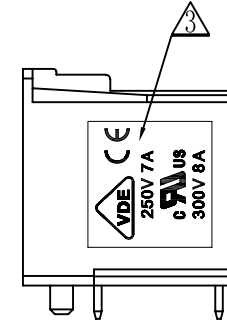
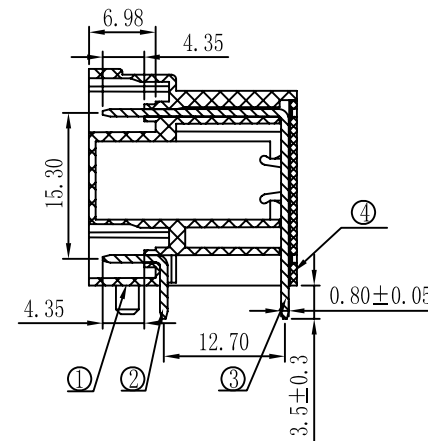
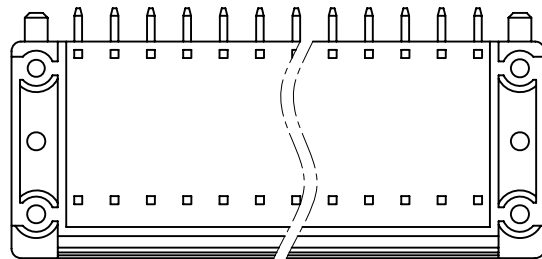
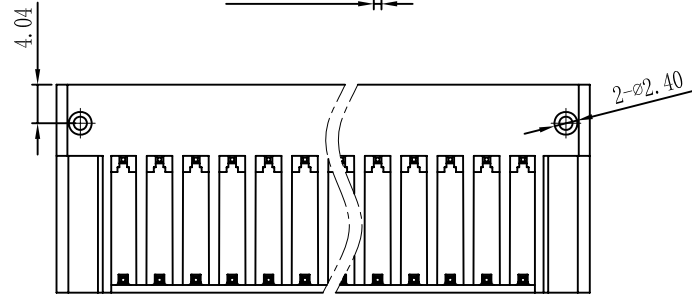
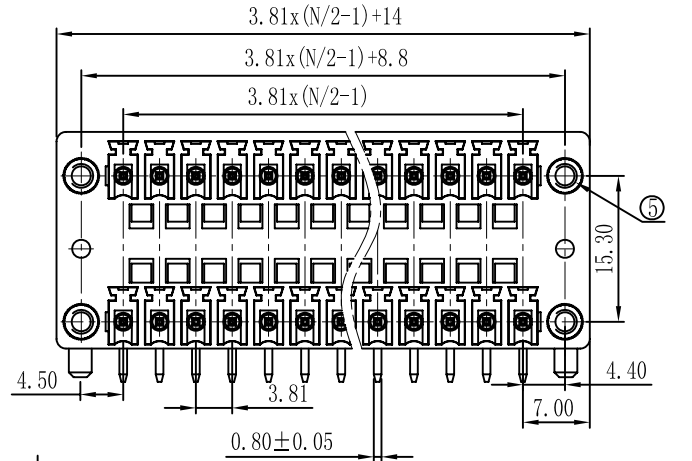
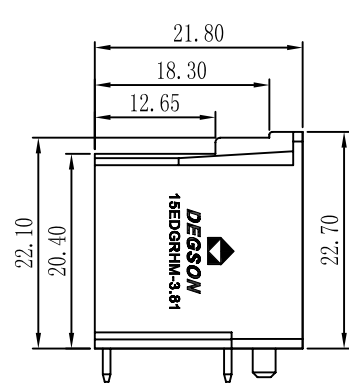


REVISION RECORD					
REV	ECO	DESCRIPTION	DRFT	DATE	
①		品名,料号增加环保标示“(H)”	LJH	12/11/07	
②		增加UL,CE刻字	Zengy	09/09/08	
③		增加VDE及参数刻字	LJH	02/11/09	



Notes:

1. Pitch: 3.81mm, Poles: 4-48P
2. Rated voltage/current: UL 300V/8A  
VDE 250V/7A
3. Operation temperatures: -40°C ~ +105°C
4. Withstanding Voltage: AC2000V/1Min
5. Insulation Resistance: 5000MΩ/DC1000V
6. Undimensioned Tolerances:

Pitch range in mm		Nominal dimension range in mm							
	over 6	over 10	over 30	over 60	over 100	over 150	⌒		
to 6	to 10	to 24	to 30	to 60	to 100	to 150	▭		
	±0.10	±0.15	±0.25	±0.2	±0.3	±0.5	±0.7	±1.0	0.05/10

5	2EDG-Screw-Cap	S000000040 (H)	4	Brass	
4	15EDGRH-3.81-Cover	1064COYXXA (H)	1	PA66	UL94V-0
3	15EDGRH-PIN	1063B00020 (H)	XX/2	Brass	SnCe
2	15EDGR-PIN	1003B00010 (H)	XX/2	Brass	SnCe

1	15EDGRHM-3.81-HOUSING	1080A0YXXA (H)	1	PA66	UL94V-0																														
ITEM	NAME OF PART	NO. OF PART	Q"TY	MATERIAL	NOTES																														
<table border="1"> <tr> <td>MM (INCH)</td> <td>DFTO LIN</td> <td>DATE 08/02/06</td> </tr> <tr> <td>TOLERANCES EXCEPT AS NOTED</td> <td>CHRD</td> <td>DATE</td> </tr> <tr> <td></td> <td>MFO</td> <td>DATE</td> </tr> <tr> <td>MM</td> <td>APPLY</td> <td>DATE</td> </tr> <tr> <td>.0 ±</td> <td></td> <td></td> </tr> <tr> <td>.00 ±</td> <td></td> <td></td> </tr> <tr> <td>.000 ±</td> <td></td> <td></td> </tr> <tr> <td>ANGLES ± 1°</td> <td>G. E :</td> <td></td> </tr> <tr> <td>THIRD ANGLE PROJECTION</td> <td>FINISH :</td> <td></td> </tr> <tr> <td></td> <td>SCALE :</td> <td></td> </tr> </table>		MM (INCH)	DFTO LIN	DATE 08/02/06	TOLERANCES EXCEPT AS NOTED	CHRD	DATE		MFO	DATE	MM	APPLY	DATE	.0 ±			.00 ±			.000 ±			ANGLES ± 1°	G. E :		THIRD ANGLE PROJECTION	FINISH :			SCALE :		<p>DEGSON® 宁波高正电子有限公司 DEGSON ELECTRONICS CO., LTD</p> <p>NAME 15EDGRHM-3.81-XXP-1Y-00A (H)</p> <p>DRAWING NO. 15EDGRHM-E01 SIZE A3 REV T3 02/11/09</p> <p>/PART NO.</p> <p>DO NOT SCALE DRAWING SHEET 1 OF 1</p>			
MM (INCH)	DFTO LIN	DATE 08/02/06																																	
TOLERANCES EXCEPT AS NOTED	CHRD	DATE																																	
	MFO	DATE																																	
MM	APPLY	DATE																																	
.0 ±																																			
.00 ±																																			
.000 ±																																			
ANGLES ± 1°	G. E :																																		
THIRD ANGLE PROJECTION	FINISH :																																		
	SCALE :																																		