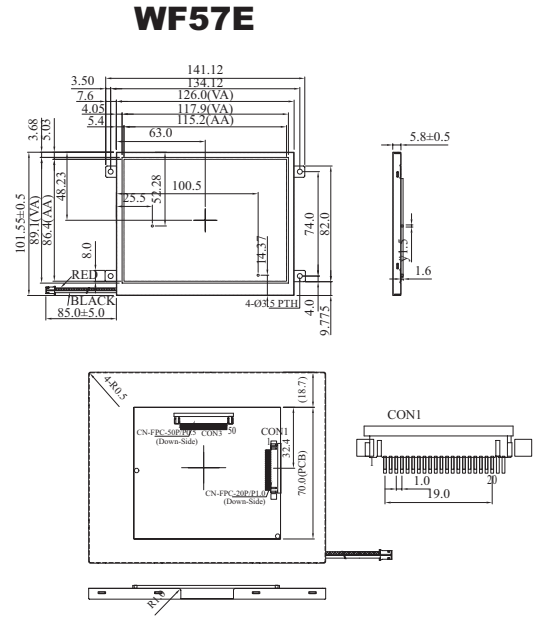
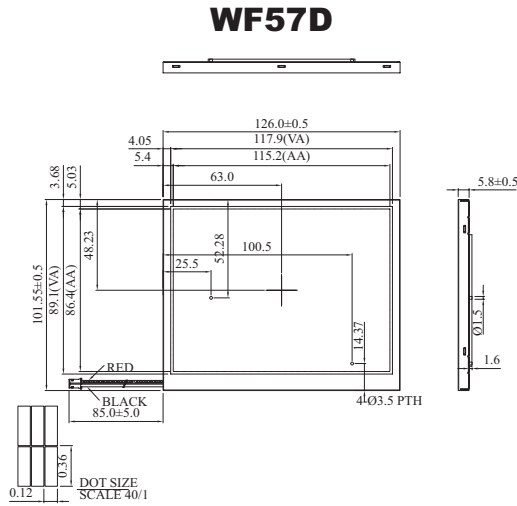


WF57D/WF57E Graphic 320x240 dots

Dimension drawing



Feature

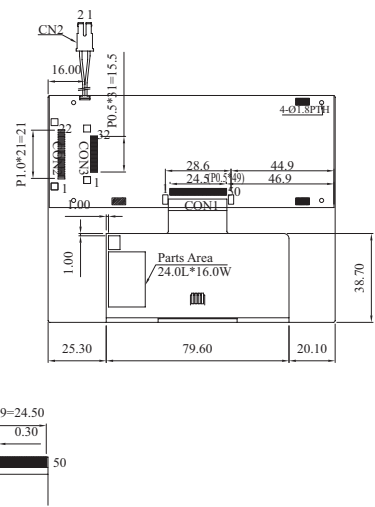
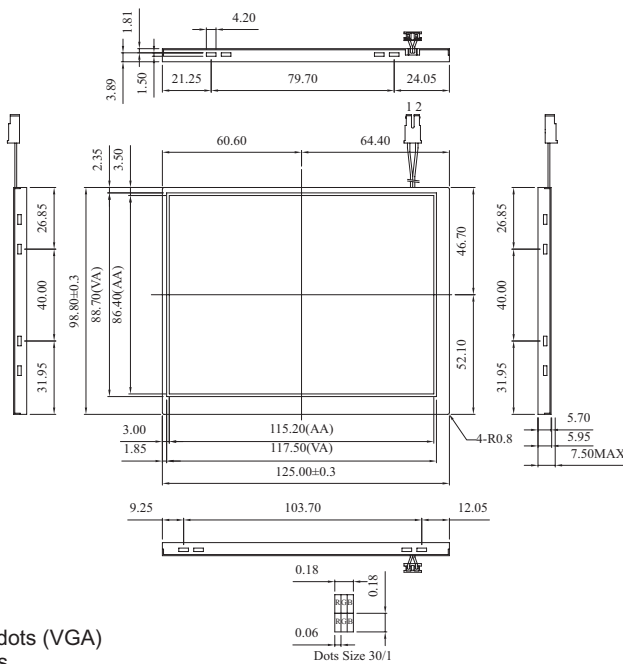
1. 320*240 dots
2. 5.7 inches
3. Digital interface
4. Option for control board built-in
5. Option for 8 bits & 16 bits

The non-specified tolerance of dimension is ±0.2mm.

TFT
type

WF57F Graphic 640x480 dots

Dimension drawing



Feature

1. 640*480 dots (VGA)
2. 5.7 inches
3. Digital interface
4. Option for control board built-in
5. Option for 8 bits & 16 bits