

## Constant Current Driver

Model: CC8WYYY



Model	Output Current	Input Current	Input Power	Output Power Range	PF	Efficiency	Output Voltage	No load Voltage
CC8W120	120mA	0.05A	7W	3.1-4.8W	0.9	81%	26-40V	55V
CC8W150	150mA	0.05A	9W	3.9-6W	0.9	82%	26-40V	55V
CC8W180	180mA	0.06A	10W	4.7-7.2W	0.9	82%	26-40V	55V
CC8W200	200mA	0.06A	11W	5.2-8W	0.9	82%	26-40V	55V
CC8W250	250mA	0.05A	8W	3.3-5.3W	0.9	80%	18-27V	40V
CC8W300	300mA	0.05A	9W	3.9-6.3W	0.9	83%	18-27V	40V
CC8W350	350mA	0.06A	10W	4.6-7.4W	0.9	81%	13-21V	35V
CC8W400	400mA	0.06A	11W	5.2-8W	0.9	80%	13-20V	35V
CC8W450	450mA	0.06A	12W	5.9-8.6W	0.9	82%	13-19V	35V
CC8W500	500mA	0.06A	13W	6.5-9.5W	0.9	82%	13-19V	35V

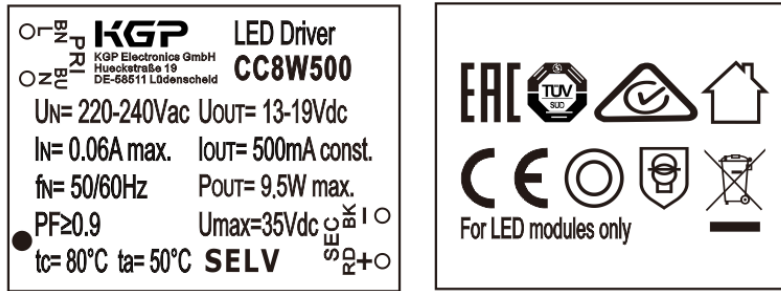
\* Test result @230V, 50Hz, Full Load.

### 1. Parameters

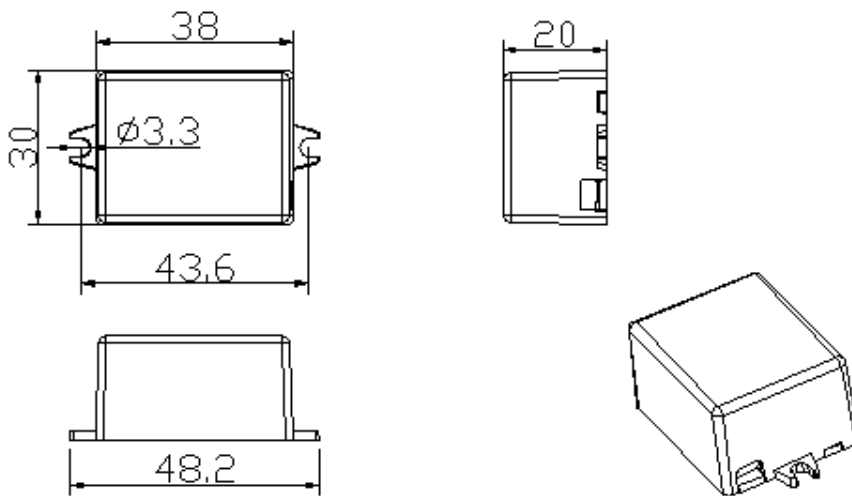
category	Item	Technical Norm
Features	Output Type	Constant Current
	IP Grade	IP44
	Insulation Class	Class II
Input	Rated Input Voltage	220-240VAC
	Range of Input Voltage	198-264VAC
	Frequency	50/60Hz
	Input Current	≤0.06A (198VAC, full load)
	Input Power	≤12.5W (230VAC, full load)
	Power Factor	≥0.9 (230VAC, full load)
	THD	≤15% (230VAC, full load)
	No-load Power Consumption	≤0.5W @230VAC
	Inrush Current	≤5A/350us (230VAC, Full-load)
	Connected quantity of 16A Breaker	30pcs/type B ; 48pcs/type C @ 230Vac
Output	Current Accuracy	±5% (400MA, 450MA, 500MA)
		±6% (250MA,300MA, 350MA)
		±7.5% (200MA)

		±8% (150MA, 180MA) ±10% (120MA)
	Max. Output Power	9.5W
	Started Delay Time	≤0.5S (230VAC, full load)
	Current Ripple	±5% (Imax-Imin) / (Imax+Imin)
Protection	Short Circuit Protection	Auto Recovery
	Overload Protection	Auto Recovery
	No-load Protection	Auto Recovery
	Insulation voltage	I/P to O/P , 3KVac/1min
	Insulation resistance	>100M ohm @ 500VDC
	Leakage current	I/P to O/P < 250 μ A
Environment	Ta/Operation Temperature	-20....+50℃
	Ts/Storage Temperature	-25....+80℃
	Tc/Enclosure Temperature	80 ℃
	Humidity	10%....90%RH
	Atmosphere	86-108KPa
Construction	Connection Method	Direct Lead
	Installation	Build-in
	PRI Wire preparation	0.5-1.5□
	SEC Wire preparation	0.5-1.5□
	Dimension	38X30X20mm (L*W*H)
Standards	Certification	TUV、CE、SAA
	Safety Standards	EN61347-1:2015,EN61347-2-13:2014/A1:2017,E N62493:2015, AS/NZS IEC61347.2.13:2013, AS/NZS 61347.1:2016
	EMC Standards	EN55015:2013/A1:2015,EN61000-3-2:2014,EN61 000-3-3:2013,EN61547:2009
	Performance	EN62384
	Surge	L-N/1KV
Others	RoHS	complied to 2011/65/EU
	Life Time	50,000h @40℃ (Ta) / @80℃ (Tc)
	Warranty	5years , F.R. < 10000ppm
<b>Remark</b> 1. All Parameters, if not specified, are measured at 230VAC/50Hz and 25℃ ambient temperature. 2. LED Driver is a component of the luminaires , Luminaires and wire layout will affect the EMC, please check the EMC with end products again.		

## 2. Label (For example)

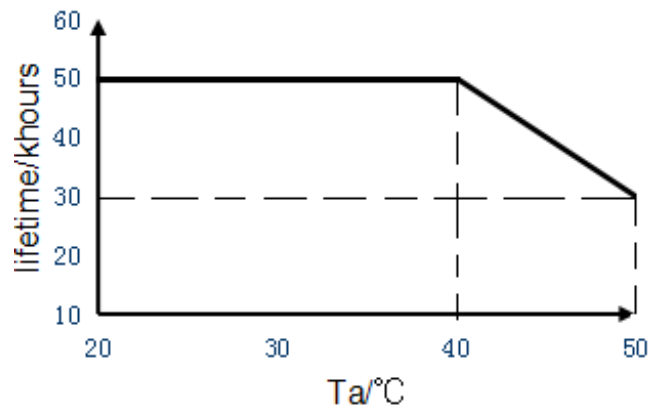


## 3. Dimension (Unit: mm)



## 4. Lifetime VS. Ta

Lifetime vs. Ta



## 5. Packing information

Carton L*W*H(mm)	Pcs/Carton	Net weight/ Pcs(kg)	Net weight/ Carton(kg)	Gross weight / Carton(kg)
450*240*200	250	0.05	12.5	13.2

## 6. Wiring Diagram

