



RST® MINI

## **MOLA**® DEVICE CONNECTOR

Innovative, modular device connector with spring clamp technology.



# FLEXIBLE AND SAFE: MOLA® DEVICE CONNECTORS

Innovative, modular device connectors with spring clamp technology compatible with RST® MINI.

It was never easier to make quick, custom and IP-protected connections: Installations with high protective rating can be implemented with more flexibility and tailored to any application better than ever thanks to the new modular MOLA® connectors for the RST® MINI series.

## VERSATILE APPLICATION

The modular device connectors were optimized particularly with luminaire manufacturers in mind. In addition they are of course suitable for many other areas like motors, heating, controllers and similar devices. The modular RST® MINI connectors make installing any application more flexible, quicker, and safer.

## UNBEATABLE FEATURES

MOLA® connectors are available as 2, 3, 4, and 5-pole models. Thanks to the modular design, the cable harness and housing can be prefabricated separately. The spring clamp connection facilitates the connection in the luminaire housing. Plus, MOLA® is "BJB ready" – this means suitable for automatic wiring by robots.

## SPECIAL FEATURES

- + Optimized for luminaires
- + Highest protection ratings
- + Easy to install + handle

### THE CONNECTION FOR:

- + LIGHTING
- + MOTORS
- + FANS
- + HEATING
- + INVERTERS
- + CONTROLLERS
- + CUSTOMIZED APPLICATIONS



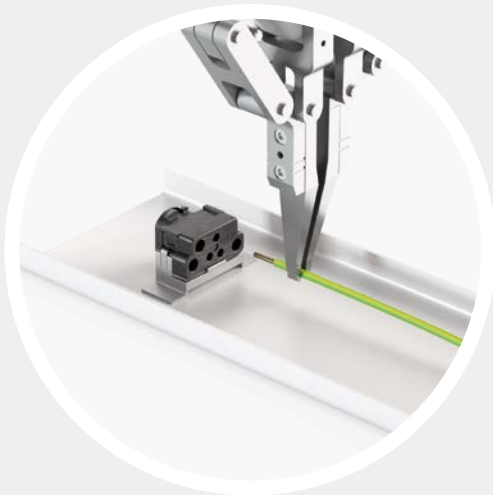
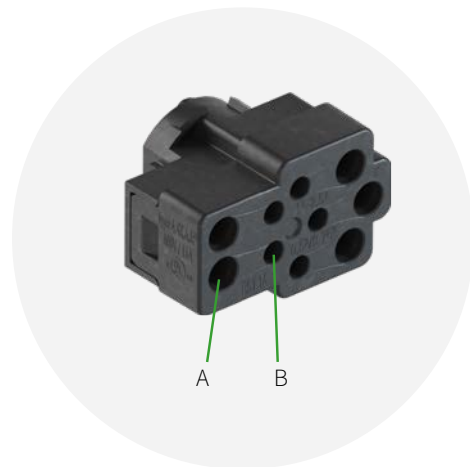
# MOLA® – THE BENEFITS AT A GLANCE

## REPLACES INTERNAL TERMINAL

The internal adapter provides two connections per pole:

**Connecting channel A** provides a cross section of up to 2.5 mm<sup>2</sup> and is preferably used for through-wiring.

**Connecting channel B** is designed for smaller cross sections and is used for the direct connection of internal devices (e.g. drivers). The labeling of the poles (dependent on the coding) is visible between the connecting channels.



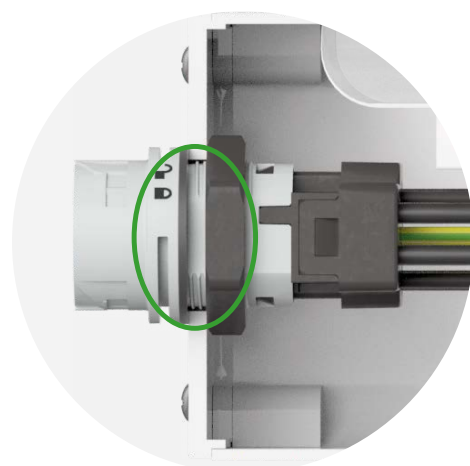
## AUTOMATIC WIRING

MOLA® is equipped with a push-in spring. This and the optimized lead-in chamfers allow for automatic wiring by robots, which can take place in installed condition within the device housing or separately, on a fixture for the internal adapter.

## FOR 20 MM BUSHINGS

All variants – 2, 3, 4 or 5-pole – have a diameter of 20 mm. Existing series with 20 mm bushings can be retrofitted to MOLA® quickly and integrated directly in prepared M20 bushings.

This makes it easy to switch from traditional cable glands to the convenient pluggable alternative. There is the option of using a flattened top on the thread of the device connector to fix it in position.



## MODULAR STRUCTURE

The new RST16 MOLA® device connector is completely modular, which means it consists of three separate parts.

- **External adapter** – for connecting the electrical infrastructure
- **Internal adapter** with two terminals per Pole – for through-wiring and for the outputs to the internal wiring
- **Nut** – for fastening the external adapter

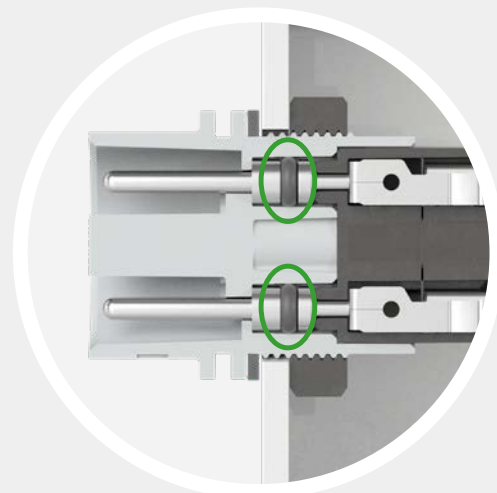


## SEPARATE PREASSEMBLY – SIMPLY PLUG IT

Thanks to the modular design, cable harness and housing can be prefabricated separately. The external adapter is connected to the housing, while the internal adapter is assembled with the internal wiring at a different place. Later, the internal adapter is simply plugged into the external adapter!

## MORE SAFETY

Variants with additional contact seal (longitudinal seal) are also available as an option. They prevent the ingress of moisture into the contacts due to condensation or damaged cables.



# MOLA® - THE **LUMINAIRE PRO**

MOLA® can be used for luminaires with through-wiring as well as for point source luminaires.

For applications with through-wiring, for example, the variant with 4 or 5 poles can be used. These are available as male and female models.



For point source luminaires, variants with 2 or 3 poles are suitable. These are available as male models.



## **PRODUCT VIDEO**

The product video for the MOLA® device connectors of the RST® MINI series can be found on our YouTube channel.

**Scan the QR code – watch the video.**



**MOLA®**  
Innovative, modular device  
connector compatible with RST® MINI.

# MOLA® DEVICE CONNECTORS | ORDERING OVERVIEW

## 2-POLE



Color	Model	Part No.	
		without contact seal	with contact seal
● black	male	46.032.M054.1	46.032.M0L1.1
● light gray	male	46.032.M054.0	46.032.M0L1.0
● light blue	male	46.032.M054.9	46.032.M0L1.9
● signal brown	male	46.032.M051.4	46.032.M0L1.4
● turquoise	male	46.032.M051.6	46.032.M0L1.6

## 3-POLE



Color	Model	Part No.	
		without contact seal	with contact seal
● black	male	46.032.M053.1	46.032.M0L0.1
● light gray	male	46.032.M053.0	46.032.M0L0.0
● leaf green	male	46.032.M055.7	46.032.M0L0.7
● turquoise	male	46.032.M050.6	46.032.M0L0.6
● light blue	male	46.032.M053.9	46.032.M0L0.9
● signal brown	male	46.032.M050.4	46.032.M0L0.4

## 4-POLE



Color	Model	Part No.	
		without contact seal	with contact seal
● black	male	46.052.M054.1	46.052.M0L1.1
● black	female	46.051.M054.1	46.051.M0L1.1
● light gray	male	46.052.M054.0	46.052.M0L1.0
● light gray	female	46.051.M054.0	46.051.M0L1.0
● signal brown	male	46.052.M051.4	46.052.M0L1.4
● signal brown	female	46.051.M051.4	46.051.M0L1.4

## 5-POLE



Color	Model	Part No.	
		without contact seal	with contact seal
● black	male	46.052.M053.1	46.052.M0L0.1
● black	female	46.051.M053.1	46.051.M0L0.1
● light gray	male	46.052.M053.0	46.052.M0L0.0
● light gray	female	46.051.M053.0	46.051.M0L0.0
● turquoise	male	46.052.M053.6	46.052.M0L0.6
● turquoise	female	46.051.M053.6	46.051.M0L0.6
● light blue	male	46.052.M053.9	46.052.M0L0.9
● light blue	female	46.051.M053.9	46.051.M0L0.9
● signal brown	male	46.052.M050.4	46.052.M0L0.4
● signal brown	female	46.051.M050.4	46.051.M0L0.4

# RST® MINI + MOLA® = THE PERFECT COMBINATION

The MOLA® device connectors are compatible with the proven RST® MINI system, which provides additional components such as plug connectors, pre-assembled cables, distributors and device connectors with screw technology.

It is approved to IEC61535 and also has cULus approval. These are also planned for MOLA®.



**NOW WITH  
CONNECTION  
CROSS SECTIONS  
UP TO 2.5 MM<sup>2</sup>!**

## RST® MINI - EXTRACT FROM OUR CATALOG

### 3-POLE



Model	Part No.	Part No.
	for cables Ø 5.0 - 9.5 mm	for cables Ø 7.1 - 13 mm
female	46.031.4553.1	46.031.4453.1
male	46.032.4553.1	46.032.4453.1

### 5-POLE



Model	Part No.	Part No.
	for cables Ø 5.0 - 9.5 mm	for cables Ø 7.1 - 13 mm
female	46.051.4553.1	46.051.4153.1
male	46.052.4553.1	46.052.4153.1

### 1I / 2O DISTRIBUTOR



No. of poles	Part No.
3-pole	46.030.1253.1
5-pole	46.050.1253.1



**RST® MINI**  
Browse products  
in the e-Shop



# RST<sup>®</sup> MINI CLICK & SAFE

## The patented locking device

### TWISTLOCK TECHNOLOGY

With the smart TWISTLOCK locking mechanism, the connectors lock automatically when plugged together, giving the user clear feedback. The connection is easily released again with a slight twist.



### PLUGGING



AUTOMATIC LOCKING

### RELEASING



## TECHNICAL DATA

Rated voltage	250/400 V
Rated current	16 A
Number of poles	2 to 5-pole
Connector temperature range	- 40 °C to 100 °C
Material	Contact parts: Brass, surface-treated Housing parts: Polyamide, halogen-free, V2 Sealing material: NBR
Pollution degree	3 (when connected)
Protection rating	IP66/68 (3m; 2h)/69
IK code	IK07 (2 joules)
Mating cycles	according to IEC 61535 100x without load and 50x under nominal load (cos phi=0.6)
RST MINI system approvals	VDE (IEC 61535), cULus (UL 2238), CSA (C22.2 No.182.1 / C22.2 No.182.3), RINA, LR, DNV/GL, BV
MOLA device connector approvals	VDE (IEC61535); pending: cULus, CSA


## CONNECTABLE CABLE CROSS-SECTIONS

### MOLA® DEVICE CONNECTORS

	Solid	Fine-wired, no cable end sleeve (ultrasonically welded)	Fine-wired, with cable end sleeve
Connecting channel A (large)	1.0 - 2.5 mm <sup>2</sup> AWG 18 - 14	1.0 - 2.5 mm <sup>2</sup> AWG 18 - 14	1.0 - 1.5 mm <sup>2</sup> AWG 20 - 16
	Solid	Fine-wired, no cable end sleeve	Fine-wired, with cable end sleeve
Connecting channel B (small)	0.5 - 1.0 mm <sup>2</sup> AWG 21 - 18	0.75 - 1.0 mm <sup>2</sup> AWG 20 - 18	0.5 mm <sup>2</sup> AWG 21

### RST® MINI PLUG CONNECTORS AND DEVICE CONNECTORS WITH SCREW TECHNOLOGY

	Solid	Fine-wired, no cable end sleeve	Fine-wired, with cable end sleeve
	0.2 - 2.5 mm <sup>2</sup>	0.25 - 2.5 mm <sup>2</sup>	0.5 - 2.5 mm <sup>2</sup>

 The RST® range of screw terminal connectors is suitable for connecting unprepared cables to EN 60999-1.



# INFO TO GO

Further information and Wieland Electric brochures for download can be found on our website:



<https://www.wieland-electric.com/en/support/downloads/>

You might find interesting:

### MOLA®

Innovative, modular device connector compatible with RST® MINI.



### RST® CATALOG

Pluggable electrical installations with the highest IP rating (IP6x).  
Part No. 0690.1



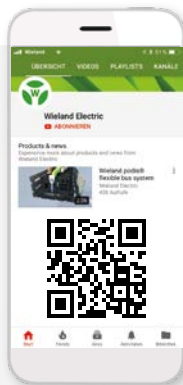
### RST® MICRO CONNECTION

The innovative plug connector for lighting technology and industrial environments.  
Part No. 0697.1



**Wieland on YouTube:**  
Watch our solutions in action

<https://www.youtube.com/user/WielandElectric>



**Technical advice:**  
Building Solutions

E-mail: [building@wieland-electric.com](mailto:building@wieland-electric.com)

Worldwide: <https://wie.li/kontaktinternational>



# ONLY ONE TAP AWAY

### Our Wieland E-Shop:

More than 25,000 products – anytime

In our online store you will find all the information about our products, prices, and technical data.

Order easily and conveniently online, and check availability.

<https://eshop.wieland-electric.com>

Scan QR code – view products in the e-shop.





# wieland

## HEADQUARTERS

Wieland Electric GmbH  
Brennerstraße 10 – 14  
96052 Bamberg · Germany

---

Phone +49 951 9324-0  
Fax +49 951 9324-198  
info@wieland-electric.com



0633.1 MC 04/21

Represented in over 70 countries worldwide:

[www.wieland-electric.com](http://www.wieland-electric.com)