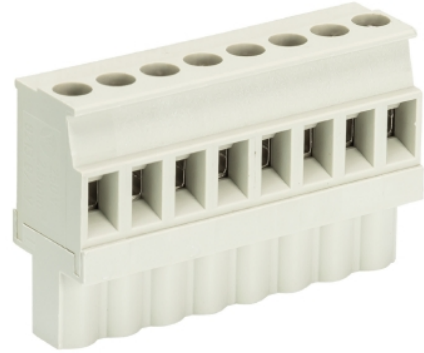


## Data sheet

Commercial Art.No.: 25.346.3253.0

PCB connector 8213 B / 2 VL OB

PCB female connector with screw connection with rising cage clamp system, 2 poles, max. cross section: 2.5 mm<sup>2</sup>, pitch: 5.08 mm, type of packing: carton, color: grey



Commercial Art.No.	25.346.3253.0
EAN	4015573192003
Order Unit	100

Certificates / Approvals



## Technical data

### General

Modular spacing	5.08 mm
Connection type	screw connection
Soldering process	None
Packaging	Carton
Number of poles	2
Marking	No
Fastening	None
Mating direction towards connector	90°

### Technical data

Nominal cross section	2.5 mm <sup>2</sup>
Rated current	12 A
Overvoltage Category I	1000 V
Overvoltage Category II	400 V
Overvoltage Category III	250 V
Rated impulse voltage	4 kV
Wire strip length	6 mm

### Connection Data

Minimum cross section solid	0.14 mm <sup>2</sup>
Maximum cross section solid	2.5 mm <sup>2</sup>
Minimum cross section fine stranded	0.14 mm <sup>2</sup>
Maximum cross section fine stranded	2.5 mm <sup>2</sup>
Wire strip length	6 mm

### Technical Data UL/CSA

Cross section UL	22-12 AWG
Voltage UL	300 V
Current field wiring	15 A
Current factory wiring	15 A
Cross section CSA	22-12 AWG
Voltage CSA	300 V
Current CSA	15 A

#### Other

Type of insulation material	Thermoplastic
Color	Grey
Height	26 mm
Length	10.16 mm
Depth	12.6 mm
Material attachment screw	CuSn/Steel
Material contact base	CuSn
Material contact surface	Sn

#### Classification

ECLASS 11	
ECLASS 8.1	27440402
ETIM 7.0	EC002637
ETIM 6.0	EC002637
ETIM 5.0	EC002637
ETIM 4.0	EC002637

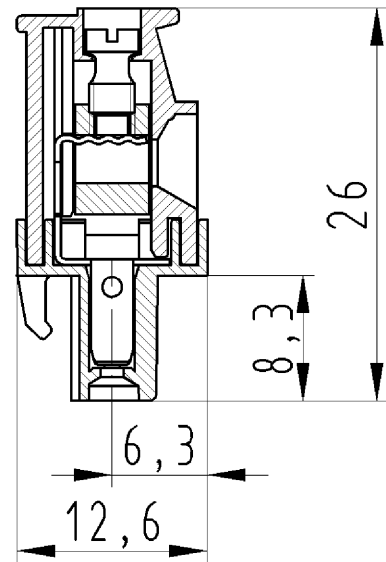
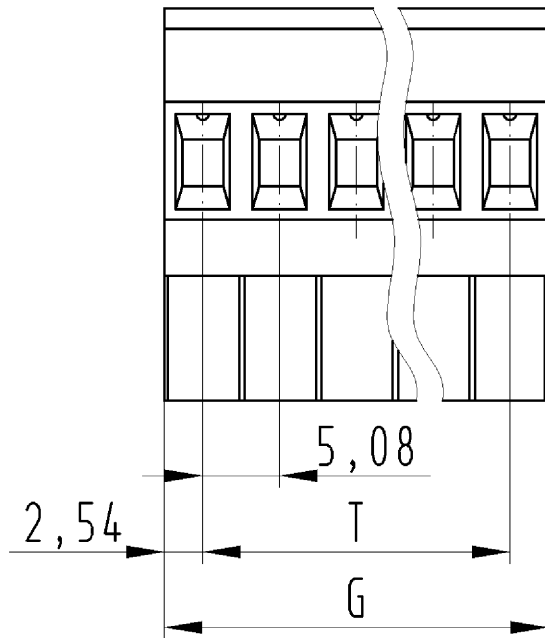
#### Product compliance

ROHS conformity status	Compliant/Exempted
ROHS exceptions	III-6(c)
REACH-SVHC conformity status	Duty-To-Declare
REACH-SVHC substances	Lead
REACH-SVHC CAS numbers	7439-92-1

#### Fits with

Commercial Art.No.:	Article-type description:	Description:
25.352.3253.0	PCB pin header 8213 S / 2 W OB	PCB pin header, connection method depends on used socket part , 2 poles, pitch: 5.08 mm, type of packing: carton, color: grey
25.350.3253.0	PCB pin header 8213 S / 2 G OB	PCB pin header, connection method depends on used socket part , 2 poles, pitch: 5.08 mm, type of packing: carton, color: grey
99.202.9996.2	PCB pin header 8213 S / 2 W OB OF	PCB pin header, connection method depends on used socket part , 2 poles, pitch: 5.08 mm, type of packing: carton, color: white
99.232.9996.1	PCB pin header 8213 S / 2 G OB OF	PCB pin header, connection method depends on used socket part , 2 poles, pitch: 5.08 mm, type of packing: carton, color: black
25.396.3253.0	PCB pin header 8213 S / 2 S OB	PCB pin header, connection method depends on used socket part , 2 poles, pitch: 5.08 mm, type of packing: carton, color: grey
25.356.3253.0	PCB pin header 8213 SE / 2 W OB	PCB pin header, connection method depends on used socket part , 2 poles, pitch: 5.08 mm, type of packing: carton, color: grey
25.354.3253.0	PCB pin header 8213 S E / 2 G OB	PCB pin header, connection method depends on used socket part , 2 poles, pitch: 5.08 mm, type of packing: carton, color: grey

26.352.3206.0	PCB pin header 8213 S / 2 W OF THR	PCB pin header, connection method depends on used socket part , 2 poles, with solder pin (2.6mm, tin plated), pitch: 5.08 mm, type of packing: carton, color: black, This product can be soldered by reflow and wave soldering,
26.350.3206.0	PCB pin header 8213 S / 2 G OF OB THR	PCB pin header, connection method depends on used socket part , 2 poles, with solder pin (2.6mm, tin plated), pitch: 5.08 mm, type of packing: carton, color: black, This product can be soldered by reflow and wave soldering,
25.350.3206.0	PCB pin header 8213 S / 2 G OB THR	PCB pin header, connection method depends on used socket part , 2 poles, with solder pin (2.6mm, tin plated), pitch: 5.08 mm, type of packing: carton, color: black, This product can be soldered by reflow and wave soldering,
25.352.3206.0	PCB pin header 8213 S / 2 W OB THR	PCB pin header, connection method depends on used socket part , 2 poles, with solder pin (2.6mm, tin plated), pitch: 5.08 mm, type of packing: carton, color: black, This product can be soldered by reflow and wave soldering,



für folgende Tabellen-Zchnng.:  
 25.346.5453.F 8213 B/...VL OB

LP. STECKKLEMME  
 25.346.3253.0 10W  
 30.10.2007 DÜT  
 M 2:1