

## Data sheet

Commercial Art.No.: 56.706.9355.0

Earth terminal WKFN 6 D1/2/SL/35

Ground terminal with tension spring connection for mounting on TS 35, nominal cross section: 6 mm<sup>2</sup>, width: 8 mm, color: Green-yellow



Commercial Art.No.	56.706.9355.0
EAN	4015573911147
Order Unit	50

Certificates / Approvals



## Technical data

### General

Nominal cross section	6 mm <sup>2</sup>
Color	Green/yellow
Number of levels	1
Number of clamp positions per level	3
Width/grid dimension	8 mm
Insulating housing	PA666
Inflammability class of insulation material acc. with UL94	V0
Explosion-tested version "Ex e"	yes
Mounting method	DIN rail (top hat rail) 35/7.5 mm
Terminal blocks for electrical installations	yes

### Technical data

Rated impulse voltage	8 kV
Pollution degree	3
Closing plate required	yes
Type of insulation material	Thermoplastic
Length	89.9 mm

### Connection Data

Connection type 1	spring clamp connection
Connection type 2	spring clamp connection
Minimum cross section solid	0.2 mm <sup>2</sup>
Maximum cross section solid	10 mm <sup>2</sup>
Minimum cross section fine stranded	0.2 mm <sup>2</sup>
Maximum cross section fine stranded	6 mm <sup>2</sup>
Wire strip length	12 mm

### Technical Data UL/CSA

Cross section UL	24-8 AWG
------------------	----------

Cross section CSA	24-8 AWG
-------------------	----------

#### Classification

ECLASS 11	
ECLASS 8.1	27141141
ETIM 7.0	EC000901
ETIM 6.0	EC000901
ETIM 5.0	EC000901
ETIM 4.0	EC000901
ETIM 3.0	EC000901

#### Product compliance

REACH-SVHC conformity status	Compliant
------------------------------	-----------

#### Accessories

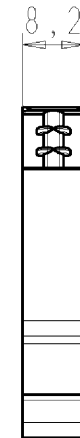
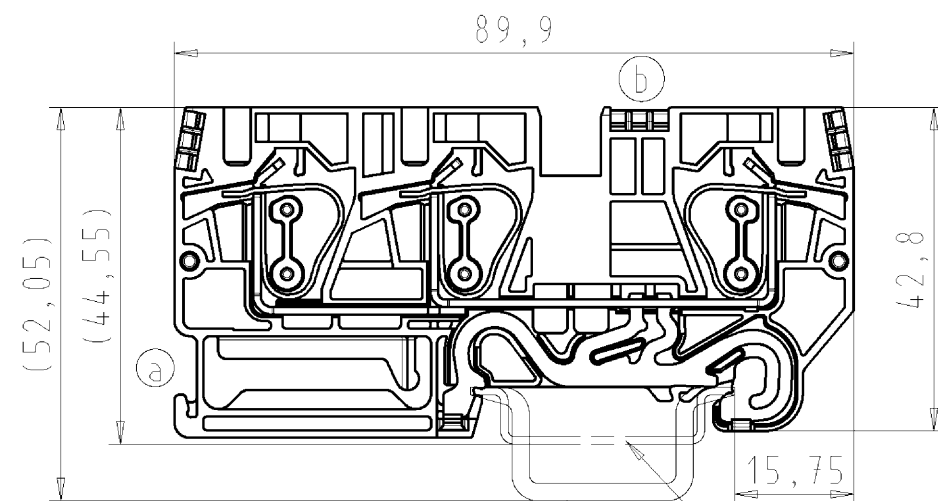
Commercial Art.No.:	Article-type description:	Description:
Z7.282.5227.0	Insulated jumper bar IVB WKFN 6- 2	INSUL. JUMPER BAR IVB WKFN 6 - 2
Z7.282.5327.0	Insulated jumper bar IVB WKFN 6- 3	INSUL. JUMPER BAR IVB WKFN 6 - 3
Z7.282.5427.0	Insulated jumper bar IVB WKFN 6- 4	INSUL. JUMPER BAR IVB WKFN 6 - 4
Z7.282.5527.0	Insulated jumper bar IVB WKFN 6- 5	INSUL. JUMPER BAR IVB WKFN 6 - 5
98.300.0000.0	Mounting rail TS 35x7,5 UNPERF - l:2000mm	Mounting rail TS 35, unslotted, size 7,5 mm, length 2 m, material steel. galv. zinc-plated and dichromated
98.300.1000.0	Mounting rail TS 35x7,5 PERF 15mm - l:2000mm	Mounting rail TS 35, slotted, size 7,5 mm, length 2 m, material steel. galv. zinc-plated and dichromated
98.300.1900.0	Mounting rail TS 35x7,5 PERF 25mm - l:2000mm	Mounting rail TS 35, slotted, size 7,5 mm, length 2 m, material steel. galv. zinc-plated and dichromated
98.360.0000.0	Mounting rail TS 35x15-2,3 UNPERF - l:2000mm	Mounting rail TS 35, unslotted, size 15 mm, length 2 m, material steel. galv. zinc-plated and dichromated
98.360.0004.0	Mounting rail TS 35x15-2,3 UNPERF FZN - l:2000mm	Mounting rail TS 35, unslotted, size 15 mm, length 2 m, material steel, hot galvanized
98.370.0000.0	Mounting rail TS 35x15 UNPERF - l:2000mm	Mounting rail TS 35, unslotted, size 15 mm, length 2 m, material steel. galv. zinc-plated and dichromated
98.370.1000.0	Mounting rail TS 35x15 PERF 15mm - l:2000mm	Mounting rail TS 35, slotted, size 15 mm, length 2 m, material steel. galv. zinc-plated and dichromated
98.380.0000.0	Mounting rail TS 35x15-2,3 UNPERF CU - l:2000mm	Mounting rail TS 35, unslotted, size 15 mm, length 2 m, material E copper
07.313.0655.0	End plate APFN 6 D1/2/35	End plate for DIN rail terminal blocks type WKFN 6 D1/2..., color: grey
07.313.0655.6	End plate APFN 6 D1/2/35 BLAU	End plate for DIN rail terminal blocks type WKFN 6 D1/2..., color: blue
07.313.0655.7	End plate APFN 6 D1/2/35 GRUEN	End plate for DIN rail terminal blocks type WKFN 6 D1/2..., color: green
07.313.0755.0	Partition TWFN 6 D1/2/35	Partition for DIN rail terminal blocks type WKFN 6 D1/2..., color: grey
98.300.1800.0	Mounting rail TS 35x7,5 PERF 18mm - l:2000mm	Mounting rail TS 35, slotted, size 7,5 mm, length 2 m, material steel. galv. zinc-plated and dichromated
04.242.8053.0	Marking tag strips 9705 A / 8 / 10	Marking tag strips for DIN rail terminal blocks type 9700 A / 8..., 10 tags per strip, color: blue, unmarked, markable with Wieplot plotter-system

These dimensions will be especially checked at delivery  
 Only inspection dimensions  
 With /E marked dimensions are only valid for internal use

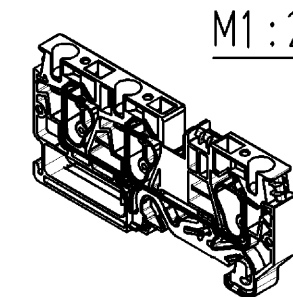
Diese Maße werden bei Abnahme besonders geprüft  
 Ausschließlich Prüfmaße  
 Mit /E gekennzeichnete Maße sind nur für interne Zwecke gültig

These dimensions will be especially checked at delivery  
 Only inspection dimensions  
 With /E marked dimensions are only valid for internal use

These dimensions will be especially checked at delivery  
 Only inspection dimensions  
 With /E marked dimensions are only valid for internal use



Hutschiene EN 60715-35x7,5  
 mounting rail EN 60715-35x7,5  
 Hutschiene EN 60715-35x15  
 mounting rail EN 60715-35x15



M1:2

Weitere Daten siehe Katalog  
 further data see catalog

T-Nr. part-no.	Farbe colour	Typ type
56.706.9355.0	grün/gelb green/yellow	WKFN 6 D1/2/SL/35

Tolerierung nach DIN 7167/Tolerance system acc. to DIN 7167. (This DIN-standard describes the envelope principle. According to the envelope principle the deviations of form and parallelism are limited by the size tolerances).				ja/yes <input checked="" type="checkbox"/> Stoffverbots- und Deklarationsliste nach UU-TOM-05/03 ist einzuhalten. Conformity with Wieland document UU-TOM-05/03 (list of prohibited / declarable hazardous substances) to be declared!			
Freitoleranz nach General tolerance		CAD - Zeichnung, keine manuellen Änderungen CAD - drawing, no manual modifications allowed		1. Verwendung: - First Use:		Blatt: 1 von 1 Sheet: of 1	
		Werkstoff/Material		2007 gezeichnet drawn	Tag/Date 26.06.	Name Bauer F.	
		Maßstab/Scale 1:1		geprüft checked	-	Zeichnung Nr./Drawing No. 56.706.9355.0 01K b	
		Vol. mm <sup>3</sup> Ofl./Surf. mm <sup>2</sup>		Normgepr. Stand. check	-	Index b	
		Ersatz für/Replacement for: -		Maße in mm/Dimensions are in mm			
b	05.05.2011/	 <b>wieland</b> Elektrische Verbindungen		Type Benennung/Title DUO_SCHUTZLEITERKLEMME fasis pro Federkraftanschluß 6mm <sup>2</sup> earth terminal with spring clamp connection			
a	13.11.2008/						
Index	Datum / Blatt Date / Sheet						
Änderung/Revision							

Weitergabe sowie Vervielfältigung dieses Dokuments, Verwertung und Mitteilung seines Inhalts sind verboten, soweit nicht ausdrücklich gestattet. Die Reproduktion, Distribution und Nutzung dieses Dokuments sowie die Kommunikation der Inhalte mit Dritten ohne schriftliche Genehmigung ist ausdrücklich untersagt.

567069355001K\_2 CADW2035\_Schmitt\_2011-05-05T11:27:51 1.000