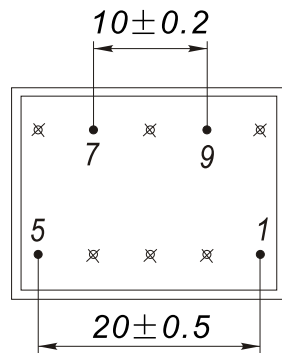
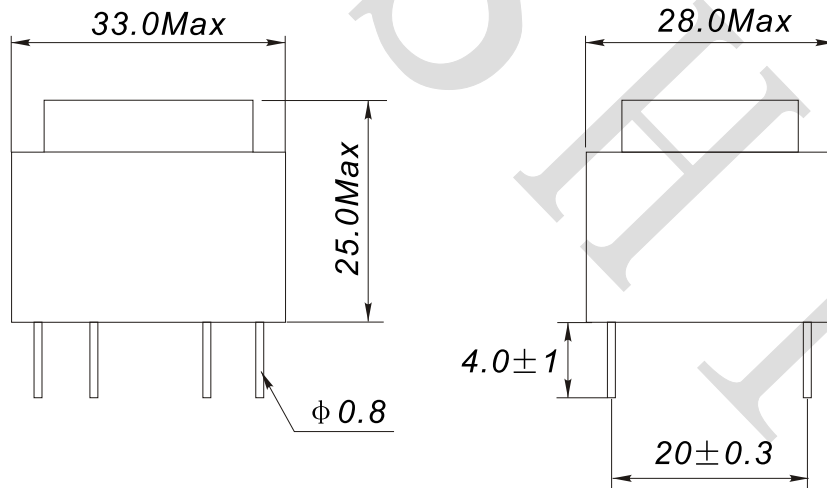


Rev.	Description	Date
A0	New release	2018.01.31

1. PHYSICAL CHARACTERISTICS (mm)



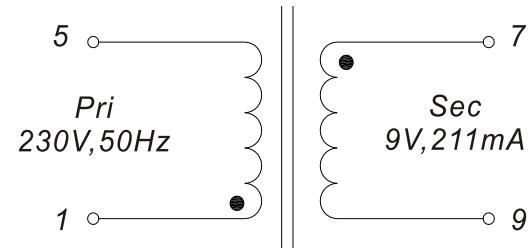
MARKING

SHINHOM
AC230V 50/60Hz
PE301286-1
ta: 70°C 1.9VA
9V, 211mA

NOTES:

Temp 20°C 48%RH
RoHS Compliant

2. ELECTRONICAL SCHEMATIC



3. ELECTRONICAL SPECIFICATIONS

Input voltage: 230V
Frequency: 50Hz
Load output voltage: 9V, 211mA
No-load output voltage: 12.9V



SHINHOM

SHAANXISHINHOM ENTERPRISE CO LTD

TEL: +86-029-87851838
FAX: +86-029-87851840
ZIP: 710054
Http://www.shinhom.com
E-mail: shinhom@globalsources.com
sales@shinhom.com.cn
NO. 8, Yanta Northern Road, Xi'an Shaanxi Pro. China

NAME:	ENCAPSULATED POWER TRANSFORMER		
CUSTOMER P/N:	BV EI 303 2031	DATE:	2018-01-31
SHINHOM P/N:	PE301286-1	REV: A0	PAGE
DRAWN BY	CHECKED BY	APPROVE BY	