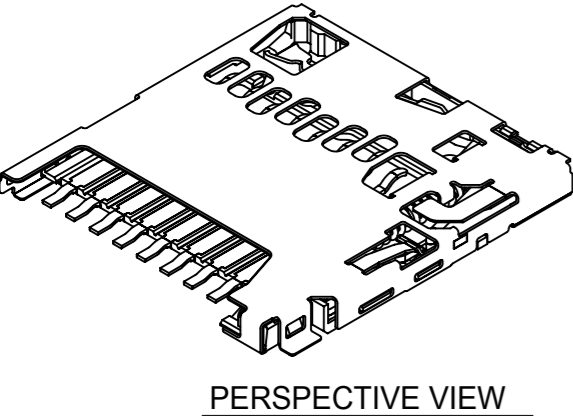


- Pin No.1: DAT2
- Pin No.2: CD/DAT3²
- Pin No.3: CMD
- Pin No.4: V DD
- Pin No.5: CLK
- Pin No.6: V ss
- Pin No.7: DAT0
- Pin No.8: DAT1

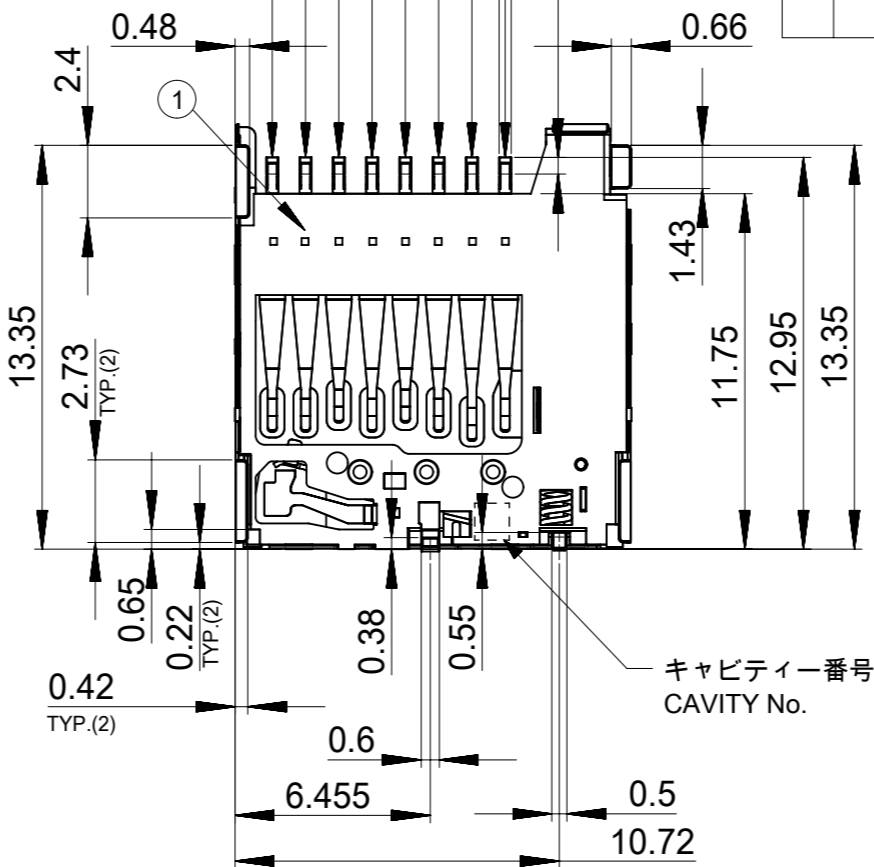
ロット番号
Lot No.
809011

8 : Year(2008)
09: Month(9)
01: Day(1)
1 : Line No.



10. GENERAL TOLERANCES
10UNDER ±0.2
10OVER 30 UNDER ±0.25
30OVER ±0.3

社名
COMPANY NAME
(0.48)
(WITHOUT SEAL OF CARD)



番号 NO.	名称 NAME	材料 MATERIAL	仕上げ(めっき) FINISHES (PLATING)
①	ハウジング HOUSING	液晶ポリマー(LCP)、ガラス充填、UL94V-0、黒 LIQUID CRYSTAL POLYMER (LCP), GLASS FILLED, UL94 V-0, BLACK	
②	カムスライダー CAM SLIDER	液晶ポリマー、(LCP)、ガラス充填、UL94V-0、黒 LIQUID CRYSTAL POLYMER (LCP), GLASS FILLED, UL94 V-0, BLACK	
③	ターミナル TERMINAL	燐青銅 PHOSPOHR BRONZE	接触部: 金めっき (0.5µm MIN.) テール部: 錫めっき (2.0µm MIN.) 下地: ニッケルめっき (1.0µm MIN.) CONTACT AREA : GOLD PLATING (0.5 MICROMETER MINIMUM.) SOLDER TAIL AREA : TIN PLATING (2.0 MICROMETER MINIMUM.) UNDERPLATE : NICKEL OVERALL (1.0 MICROMETER MINIMUM.)
④	シェル SHELL	ステンレス鋼 STAINLESS STEEL	ステンレス鋼 基板実装部: 金めっき 下地: ニッケルめっき NAIL AREA : GOLD PLATING UNDERPLATE : NICKEL OVERALL
⑤	スプリング SPRING	ピアノ線 SWP	全面: ニッケルめっき NICKEL OVERALL
⑥	ピン PIN	ステンレス鋼 STAINLESS STEEL	
⑦	ディテクトレバー DETECT LEVER	燐青銅 PHOSPOHR BRONZE	接触部: 金めっき (0.2µm MIN.) 基板実装部: 金めっき 下地: ニッケルめっき CONTACT AREA : GOLD PLATING (0.2 MICROMETER MINIMUM.) NAIL AREA : GOLD PLATING UNDERPLATE : NICKEL OVERALL
⑧	ディテクトスイッチ DETECT SWITCH	燐青銅 PHOSPOHR BRONZE	接触部: 金めっき (0.2µm MIN.) 基板実装部: 金めっき 下地: ニッケルめっき CONTACT AREA : GOLD PLATING (0.2 MICROMETER MINIMUM.) NAIL AREA : GOLD PLATING UNDERPLATE : NICKEL OVERALL

NOTES

1. ターミナル及びネイルの平坦度は0.1MAX (測定用定板面を基準)
TERMINAL AND NAIL COPLANARITY TO BE 0.1 MAX.(FROM GAUGE PLANE)
 2. スタンドオフ寸法 STAND OFF
 3. パターン禁止エリア PATTERN PROHIBITION AREA
 4. カード検知スイッチ DETECT SWITCH
- | | | | |
|---------|-------------------------|------|-------|
| カード挿入時 | CARD INSERTING POSITION | クローズ | CLOSE |
| カード未挿入時 | NO CARD | オープン | OPEN |
5. 肉抜き位置は任意とする。CAVITY IS TO BE OPTIONAL.
 6. ロット印字は任意とする。LOT NUMBERING IS TO BE OPTIONAL.
 7. GND推奨パターン GND RECOMMENDED PATTERN.
 8. ELV及びRoHS適合品 ELV AND RoHS COMPLIANT.
 9. カード裏挿し誤挿入時、カード突出エリア (他の部品の設置、非推奨範囲)
WHEN A CARD IS MISS-MATED IN THE REVERSE ORIENTATION,PART OF THE CARD PROTRUDES FROM THE SHELL DUE TOTHE CARD-MISS MATING PREVENTION FEATURE. THEREFORE, NO COMPONENTS ARE ALLOWED TO BE PLACED IN THIS AREA.

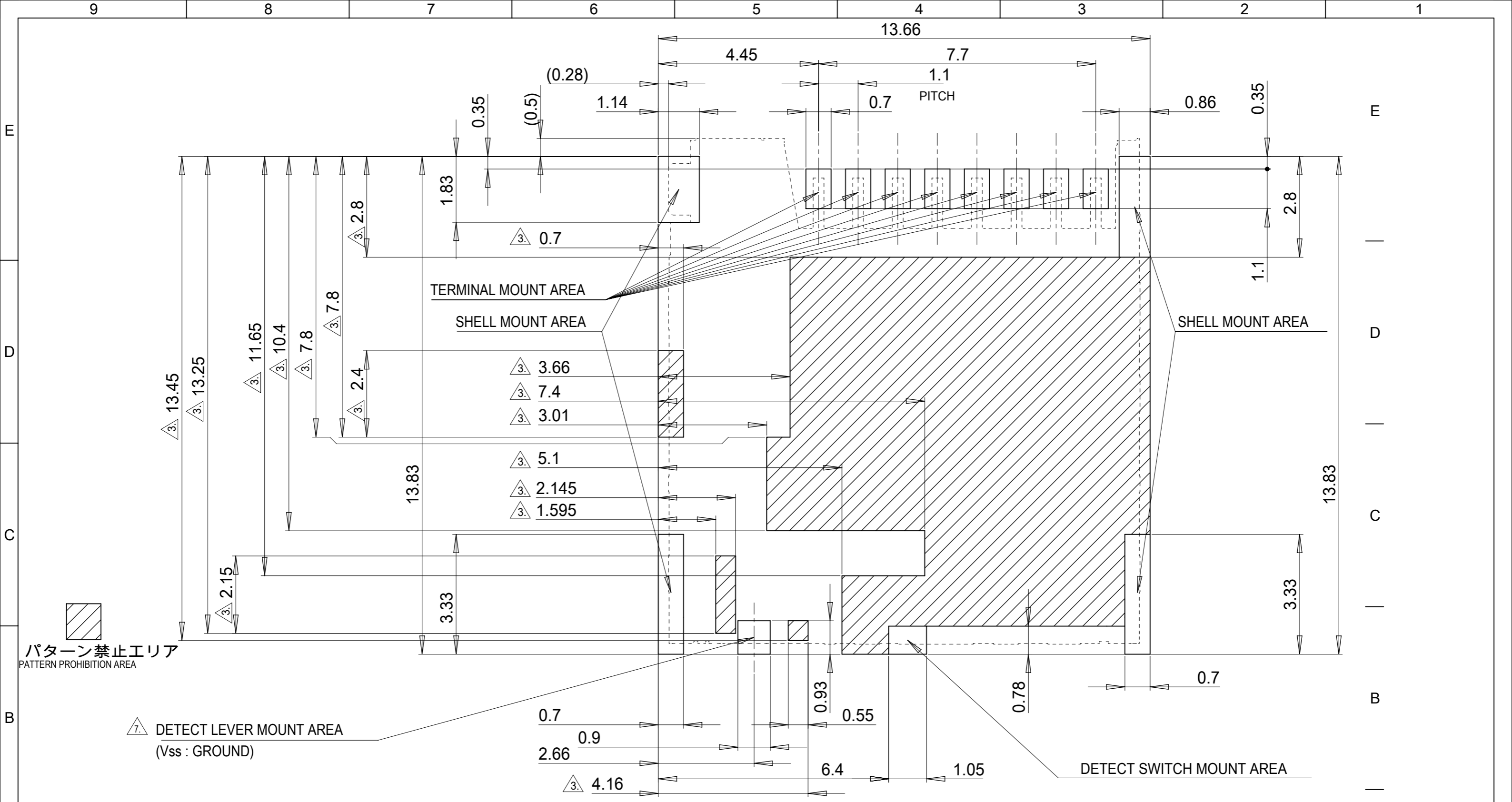
503398-0891		8
EMBOSSED PACKAGE		極数
オーダー番号	ORDER NO.	CIRCUITS
CONNECTOR SERIES No. 503398-0811		

THIS DRAWING CONTAINS INFORMATION THAT IS PROPRIETARY TO MOLEX ELECTRONIC TECHNOLOGIES, LLC AND SHOULD NOT BE USED WITHOUT WRITTEN PERMISSION

REVISED EC NO: 168584 DRWN: ESATO CHK'D: KTAKAHASHI APPR: NUKITA	2017/11/22	2017/12/05	2017/12/05
	GENERAL TOLERANCES (UNLESS SPECIFIED)		
	ANGULAR TOL ± 1.0 °		
	4 PLACES	± 0.2	
	3 PLACES	± 0.25	
	2 PLACES	± 0.3	
	1 PLACE	± 0.1	
	0 PLACES	± 0.2	
DRAFT WHERE APPLICABLE MUST REMAIN WITHIN DIMENSIONS			

DIMENSION UNITS	SCALE
MM	4:1
DRWN BY	DATE
YMATSUMOTO	2009/09/17
CHK'D BY	DATE
MTOMITA	2009/09/17
APPR BY	DATE
NUKITA	2009/09/17
DRAWING SIZE	THIRD ANGLE PROJECTION
A3	

molex		MICRO SD CONN. PUSH/PUSH & NORMAL SUPER-SMALL TYPE	
PRODUCT CUSTOMER DRAWING			
SERIES	MATERIAL NUMBER	CUSTOMER	
503398		GENERAL MARKET	
DOCUMENT NUMBER	DOC TYPE	DOC PART	SHEET NUMBER
SD-503398-001	PSD	001	1 OF 2



パターン禁止エリア
PATTERN PROHIBITION AREA

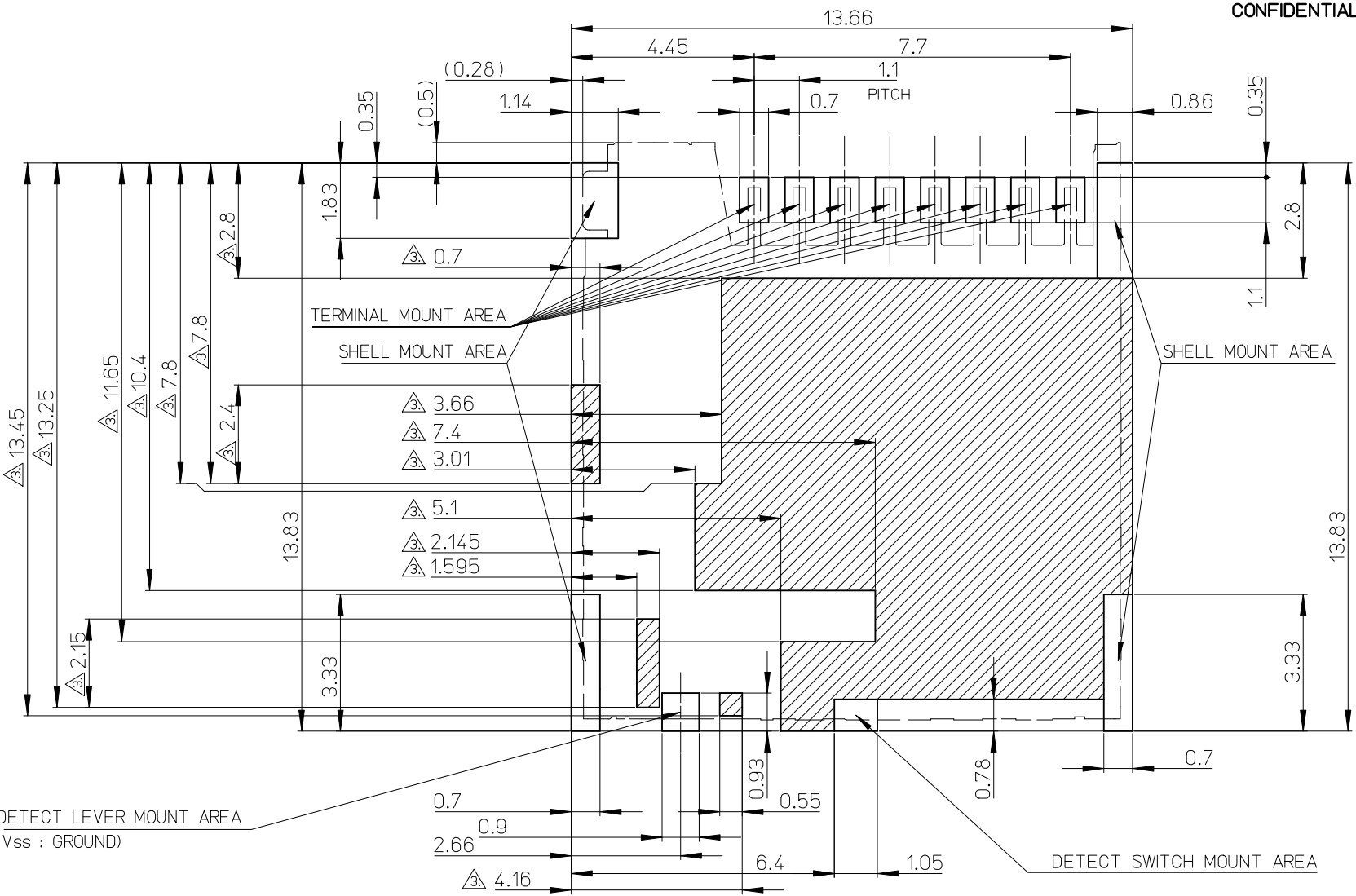
△ DETECT LEVER MOUNT AREA
(Vss : GROUND)

△ DETECT SWITCH MOUNT AREA

RECOMMENDED
PCB PATTERN LAYOUT
(GENERAL TOLERANCE : ±0.05)

THIS DRAWING CONTAINS INFORMATION THAT IS PROPRIETARY TO MOLEX ELECTRONIC TECHNOLOGIES, LLC AND SHOULD NOT BE USED WITHOUT WRITTEN PERMISSION

REVISED EC NO: 168584 DRWN: ESATO CHK'D: TAKAHASHI REV APPR: NUKITA	2017/11/22	2017/12/05	2017/12/05	GENERAL TOLERANCES (UNLESS SPECIFIED)		DIMENSION UNITS	SCALE	molex MICRO SD CONN. PUSH/PUSH & NORMAL SUPER-SMALL TYPE								
				ANGULAR TOL ± 1.0 °		MM	1:1									
				4 PLACES ± 0.2	3 PLACES ± 0.25	DRWN BY		DATE		PRODUCT CUSTOMER DRAWING						
				2 PLACES ± 0.3	1 PLACE ± 0.1	YMATSUMOTO		2009/09/17								
				0 PLACES ± 0.2	DRAFT WHERE APPLICABLE MUST REMAIN WITHIN DIMENSIONS		CHK'D BY		DATE							
					MTOMITA		2009/09/17		SERIES		MATERIAL NUMBER		CUSTOMER			
					APPR BY		DATE									
					NUKITA		2009/09/17		503398				GENERAL MARKET ²			
					DRAWING SIZE		THIRD ANGLE PROJECTION		DOCUMENT NUMBER		DOC TYPE		DOC PART		SHEET NUMBER	
					A3				SD-503398-001		PSD		001		2 OF 2	



△ DETECT LEVER MOUNT AREA
(Vss : GROUND)

DETECT SWITCH MOUNT AREA

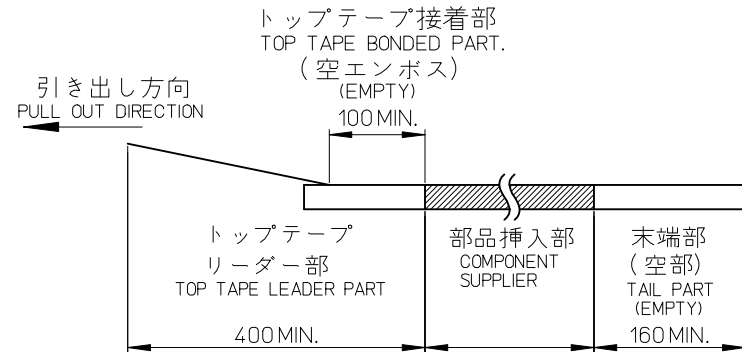
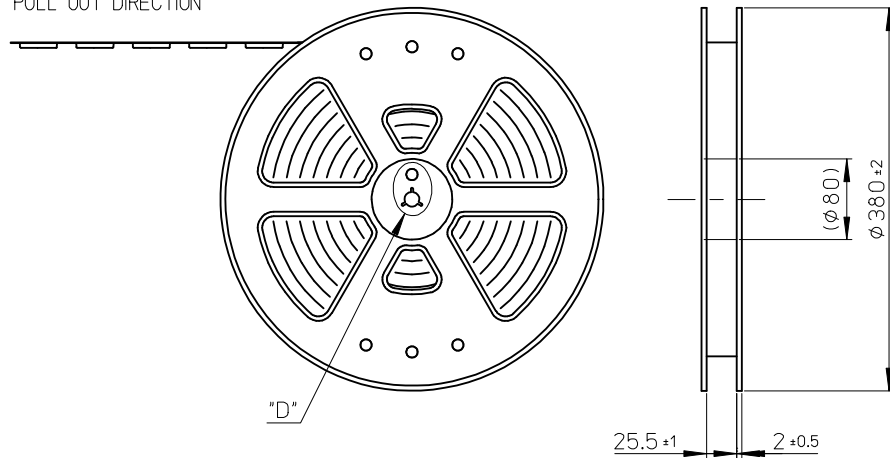
RECOMMENDED
PCB PATTERN LAYOUT
(GENERAL TOLERANCE : ±0.05)

PROPOSED	EC NO: JZ010-01399	DRWN: YMATSUMOTO	2009/09/17	GENERAL TOLERANCES (UNLESS SPECIFIED)	DIMENSION STYLE MM ONLY	SCALE 4:1	DESIGN UNITS METRIC	THIRD ANGLE PROJECTION	TITLE MICRO SD CONN. PUSH/PUSH & NORMAL SUPER-SMALL TYPE
	CHKD: MTOMITA	2009/09/17	10 UNDER ±0.2						
O	APPR: MURIMATA	2009/09/17	10 OVER 30 UNDER ±0.25	ANGULAR ±1 °	APPROVED BY NUKITA	DATE 2009/09/09	MATERIAL NO. SEE CHART	DOCUMENT NO. SD-503398-001	SHEET NO. 2 OF 2
	REV	0	30 OVER ±0.3						

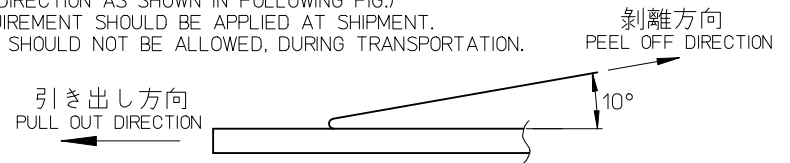
NOTES

1. 製品詳細寸法については、SD 図面を参照下さい。
RE DETAILED DIMENSION, SEE SALES DRAWING.
2. 梱包数量：2400個／リール
NUMBER OF CONNECTORS：2400 PCS/REEL.
3. リードテープ長さ LEAD TAPE LENGTH.

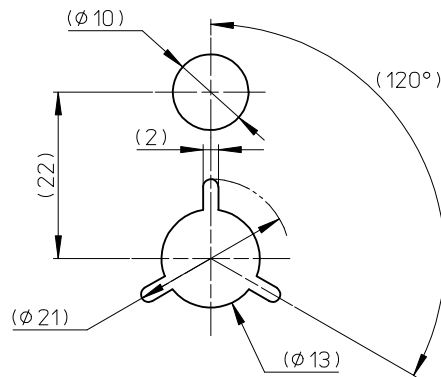
引き出し方向
PULL OUT DIRECTION



4. トップテープの剥離強度：JIS C0806-3に準拠(剥離方向は下図参照)尚、本規格値は出荷時に適用。(但し、輸送時に剥離が発生しないこと。)
PEELING OFF FORCE OF TOP TAPE：BASED UPON JIS C0806-3 (PEELING DIRECTION AS SHOWN IN FOLLOWING FIG.) THIS REQUIREMENT SHOULD BE APPLIED AT SHIPMENT. PEEL OFF SHOULD NOT BE ALLOWED, DURING TRANSPORTATION.



5. 材料 MATERIAL
キャリアテープ (CARRIER TAPE)：ポリスチレン (POLYSTYRENE)
トップテープ (TOP TAPE)：PET, PE, PEF
リール (REEL)：ポリスチレン(PS) <リサイクル材含む>
POLYSTYRENE (PS) <RECYCLE MATERIAL CONTAINED>

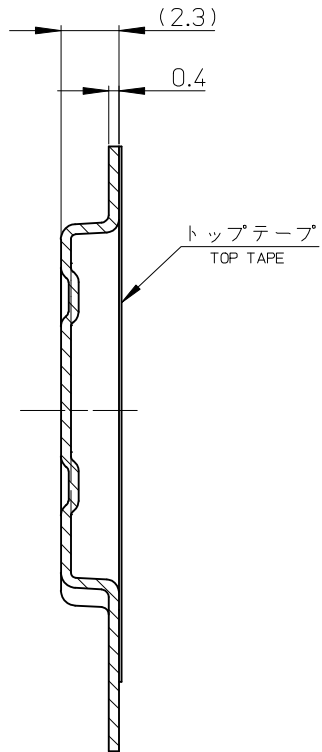


DETAIL "D"

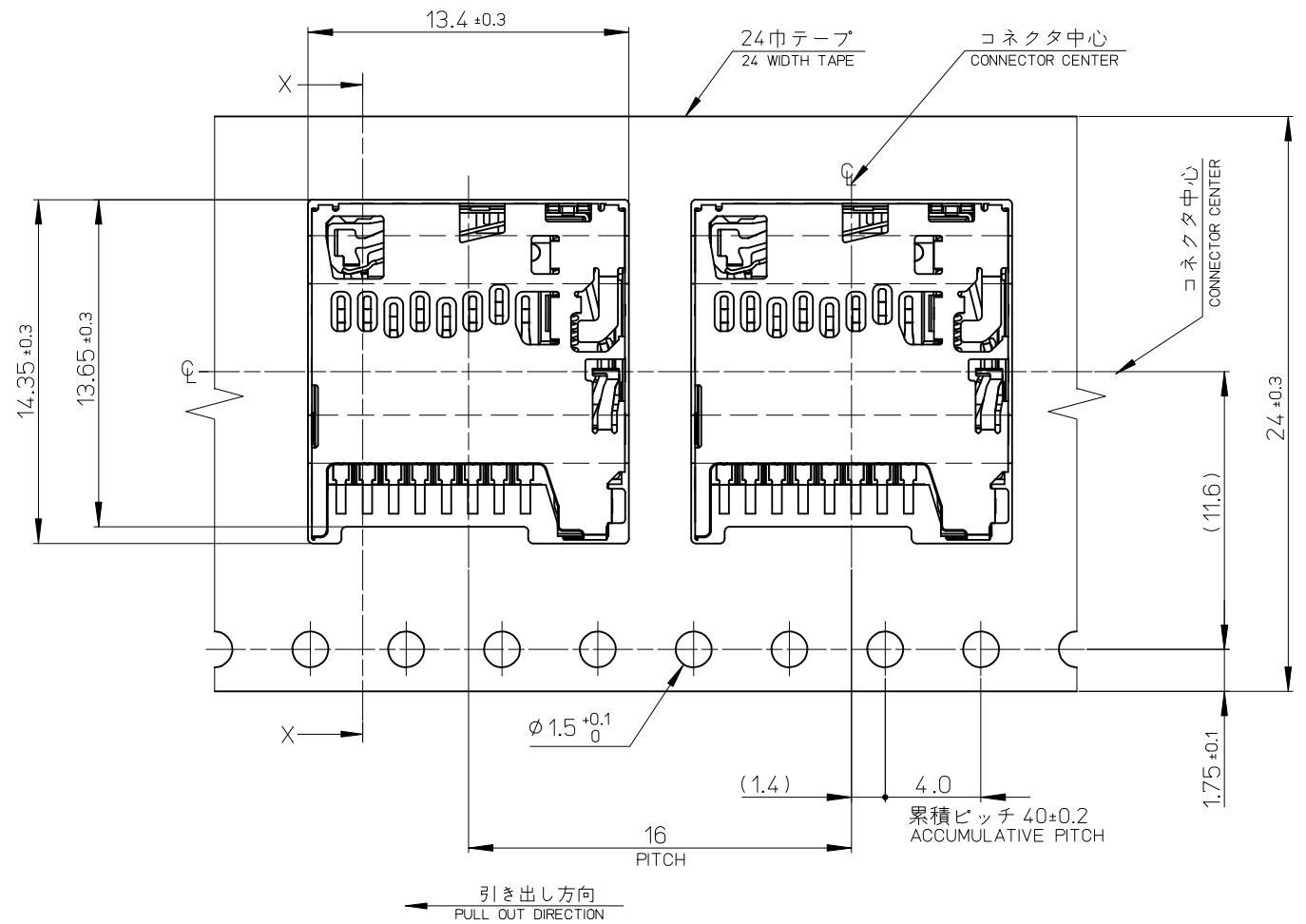
503398-0891	8
EMBOSSED PACKAGE	極数
オーダー番号 ORDER NO.	CIRCUITS
CONNECTOR SERIES No. 503398-0811	

PROPOSED EC NO: J2010-0539 DRWN: YMATSUMOTO 2009/09/17 CHKD: YMATSUMOTO 2009/09/17 APPR: NUKITA 2009/09/17 REV: 0	GENERAL TOLERANCES (UNLESS SPECIFIED) 10 UNDER ±0.2 10 OVER 30 UNDER ±0.25 30 OVER ±0.3 ANGULAR ±1 ° DRAFT WHERE APPLICABLE MUST REMAIN WITHIN DIMENSIONS	DIMENSION STYLE MM ONLY DRAWN BY: YMATSUMOTO CHECKED BY: MTOMITA APPROVED BY: NUKITA MATERIAL NO. SEE CHART	SCALE 4:1 DESIGN UNITS METRIC THIRD ANGLE PROJECTION	TITLE EMBOSSED TAPE PACKAGE FOR 503398-08**	
				MOLEX INCORPORATED	
				DOCUMENT NO. SD-503398-002	SHEET NO. 1 OF 2
				THIS DRAWING CONTAINS INFORMATION THAT IS PROPRIETARY TO MOLEX INCORPORATED AND SHOULD NOT BE USED WITHOUT WRITTEN PERMISSION	

10 9 8 7 6 5 4 3 2 1



SECTION X-X



PROPOSED EC NO: J2010-01539 DRWN: YMATSUMOTO 2009/09/17 CHKD: YMATSUMOTO 2009/09/17 APPR: NUKITA 2009/09/17	GENERAL TOLERANCES (UNLESS SPECIFIED)		DIMENSION STYLE MM ONLY		SCALE 5:1	DESIGN UNITS METRIC	THIRD ANGLE PROJECTION	
	10 UNDER	± 0.2	DRAWN BY YMATSUMOTO	DATE 2009/02/02	TITLE EMBOSSED TAPE PACKAGE FOR 503398-08**			
	10 OVER 30 UNDER	± 0.25	CHECKED BY MTOMITA	DATE 2009/02/02	MOLEX INCORPORATED			
	30 OVER	± 0.3	APPROVED BY NUKITA	DATE 2009/02/02	MATERIAL NO. SEE CHART	DOCUMENT NO. SD-503398-002	SHEET NO. 2 OF 2	
	ANGULAR $\pm 1^\circ$ DRAFT WHERE APPLICABLE MUST REMAIN WITHIN DIMENSIONS		THIS DRAWING CONTAINS INFORMATION THAT IS PROPRIETARY TO MOLEX INCORPORATED AND SHOULD NOT BE USED WITHOUT WRITTEN PERMISSION					